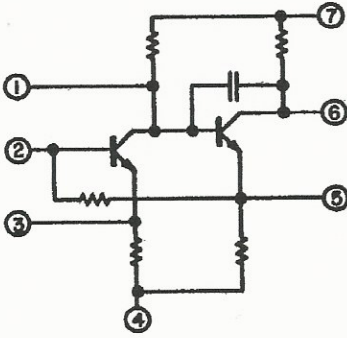




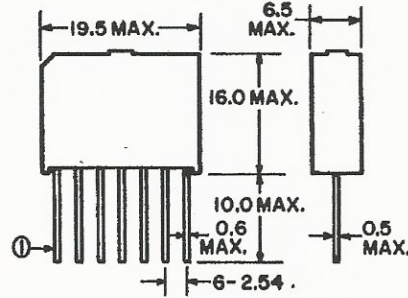
ECG1001

LOW-NOISE AF PRE-AMPLIFIER
MODULE THICK-FILM HYBRID

The Sylvania Type ECG1001 is a 6 volt (typical supply voltage) low-noise, low distortion, direct-coupled two-stage AF preamplifier.



CIRCUIT DIAGRAM

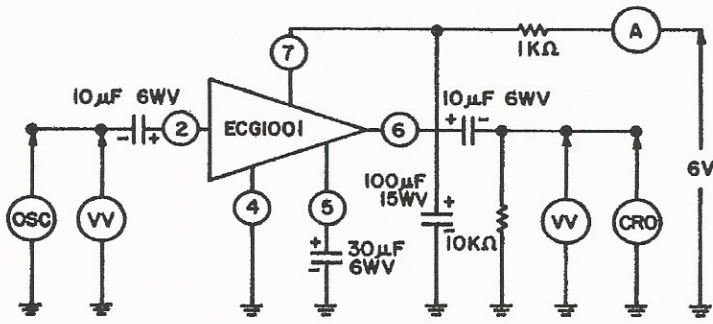


Specifications and Characteristics (at 25°C Ambient)

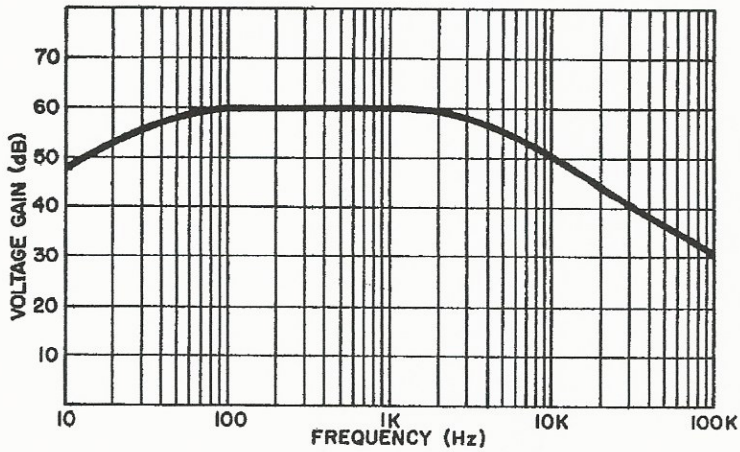
	Min.	Typical	Max.	Units
Supply Voltage	5	6	7	Volts
Current Drain ($V_{CC} = 6\text{ V}$)	0.5	0.75	1.2	mA
Voltage Gain (Note 1)	50	55	60	dB
Distortion (Note 2)	--	2	4	%
Max. Output Voltage (Note 3)	0.6	1.0	--	Volts
Input Impedance (Note 1)	25	35	--	Kilohms
Frequency Range (Note 4)	10	24	--	KHz
Output Noise Voltage (Note 5)	--	0.6	1.0	mV

Notes: (All Notes Refer to Test Circuit)

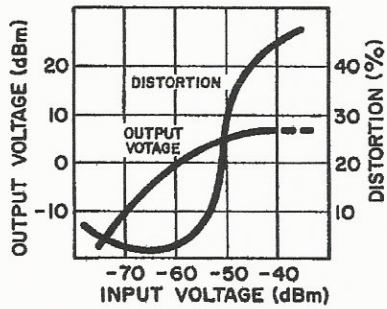
- (1) $F = 1\text{ KHz}$, $V_{CC} = 6\text{ Volts}$
- (2) $F = 1\text{ KHz}$, $V_{CC} = 6\text{ Volts}$, $V_{OUT} = -15\text{ dBm}$
- (3) $F = 1\text{ KHz}$, $V_{CC} = 6\text{ Volts}$, Distortion = 10%
- (4) See Frequency Response Curve
- (5) Input Terminated in 330 ohms



TEST CIRCUIT



FREQUENCY RESPONSE



INPUT-OUTPUT RESPONSE