

Sicherungstreifen mit Gehäuse für Flurförderzeuge für Nennspannungen bis 80 V / Fuse strips with housing for batterie-powered vehicles for rated voltage up to 80 V / Fusibles-lames avec carter pour véhicules à batterie pour tension nom. jusqu'à 80 V



Metallteile / Metal parts / Pièces métalliques:
35 A - 80 A: Zn-Legierung / Zinc-alloy / Zinc-alliage
100 A - 425 A: Kupfer Cu, gal. Sn / Copper Cu, gal. Sn / Cuivre Cu, gal. Sn

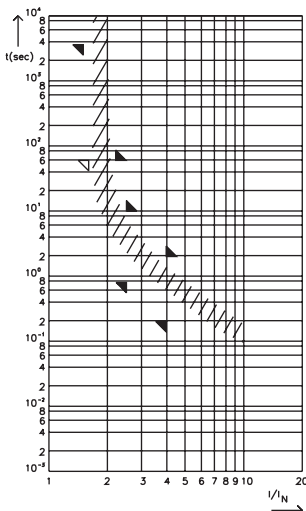
Verpackungseinheit / Packaging unit / Emballage: 50 Stück / pieces / pièces

Achtung: 1.00 bedeutet die Nummer "Eins" mit zwei Dezimalstellen. 1.000 bedeutet die Nummer "Eintausend" / Note: 1.00 means the number "one" with two decimal places. 1,000 means the number "one thousand" / Attention: 1.00 signifie le numero "un" avec deux decimals. 1,000 signifie le numero "mille"

| Artikel-Nr. Article-No. Réf. d'article | | Nennstrom Rated current Intensité nom. | Spannungsfall Voltage drop Chute de tension |
|--|----------------|--|---|
| a = 11 mm | a = 9 mm* | I_N/I_{rat} | U_0 PUDENZ max. |
| 157.5701.5351 | 157.5917.5351* | 35 A | 125 mV |
| 157.5701.5401* | | 40 A | 125 mV |
| 157.5701.5501 | 157.5917.5501* | 50 A | 125 mV |
| 157.5701.5631 | 157.5917.5631* | 63 A | 125 mV |
| 157.5701.5801 | 157.5917.5801* | 80 A | 125 mV |
| 157.5701.6101 | 157.5917.6101* | 100 A | 125 mV |
| 157.5701.6121 | 157.5917.6121* | 125 A | 125 mV |
| 157.5701.6131* | | 130 A | 125 mV |
| 157.5701.6141* | 157.5917.6141* | 135 A | 125 mV |
| 157.5701.6151* | 157.5917.6151* | 150 A | 125 mV |
| 157.5701.6161 | 157.5917.6161* | 160 A | 125 mV |
| 157.5701.6171* | 157.5917.6171* | 175 A | 125 mV |
| 157.5701.6201 | 157.5917.6201* | 200 A | 125 mV |
| 157.5701.6231* | 157.5917.6231* | 225 A | 125 mV |
| 157.5701.6251 | 157.5917.6251* | 250 A | 125 mV |
| 157.5701.6271* | 157.5917.6271* | 275 A | 125 mV |
| 157.5701.6301 | | 300 A | 125 mV |
| 157.5701.6331* | 157.5917.6331* | 325 A | 125 mV |
| 157.5701.6351 | 157.5917.6351* | 355 A | 125 mV |
| 157.5701.6401* | | 400 A | 125 mV |
| 157.5701.6421 | 157.5917.6421* | 425 A | 125 mV |
| 157.5701.6501* | 157.5917.6501* | 500 A | 125 mV |

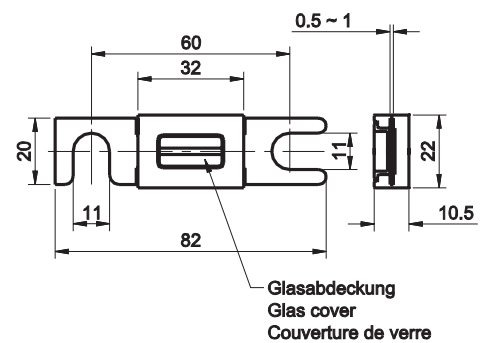
* in der Normreihe nicht verzeichnet / not mentioned in the standards / pas mentionné dans la norme
zugehöriger Halter siehe Seite 52-53 / corresponding holder see page 52-53 / porte-fusible correspondant voir page 52-53

Schmelzzeit-Grenzwerte / Pre-arcing time - limits / Temps de fusion limits



| | | min. | max. |
|--------------------|---------------|--------------|------|
| 1.50 I_N/I_{rat} | 35 A - 200 A | 1 h | - |
| | 225 A - 425 A | 60 s (1.6In) | - |
| 2.20 I_N/I_{rat} | 35 A - 200 A | - | 60 s |
| | 225 A - 425 A | - | 60 s |
| 2.50 I_N/I_{rat} | 35 A - 200 A | 800 ms | 10 s |
| | 225 A - 425 A | - | 10 s |
| 4.00 I_N/I_{rat} | 35 A - 200 A | 250ms | 2 s |
| | 225 A - 425 A | 250ms | 2 s |

Maße in mm / Dimensions in mm / Dimensions en mm



Normen / Specifications / Normes

DIN 43560/1
UL248 Special Purpose Fuses



cULus Recognized: File No. E211637

$F_1 = 1.00$ (max. Dauerstrom / max. operating current / max. courant permanent: $1.0 \times I_{rat}$ bei / at / à 23°C)