

## LM317L-N 3-Terminal Adjustable Regulator

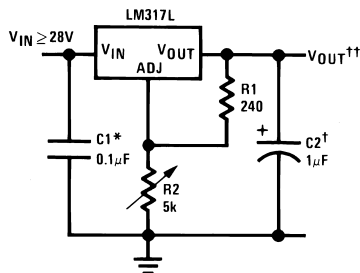
### 1 Features

- Adjustable Output Down to 1.2 V
- 100-mA Output Current
- Line Regulation Typically 0.01% V
- Load Regulation Typically 0.1%
- Current Limit Constant With Temperature
- Eliminates the Need to Stock Many Voltages
- Standard 3-Lead Transistor Package
- 80-dB Ripple Rejection
- Available in 3-Pin TO-92, 8-Pin SOIC, or 6-pin DSBGA Packages
- Output is Short-Circuit Protected
- See AN-1112 ([SNVA009](#)) for DSBGA Considerations

### 2 Applications

- Automotive LED Lighting
- Battery Chargers
- Post Regulation for Switching Supplies
- Constant-Current Regulators
- Microprocessor Supplies

#### Schematic Diagram



Full output current not available at high input-output voltages

†Optional—improves transient response

\*Needed if device is more than 6 inches from filter capacitors

$$\dagger\dagger V_{OUT} = 1.25V \left( 1 + \frac{R_2}{R_1} \right) + I_{ADJ}(R_2)$$

### 3 Description

The LM317L-N is an adjustable 3-terminal positive voltage regulator capable of supplying 100 mA over a 1.2-V to 37-V output range. The LM317L-N is easy to use and requires only two external resistors to set the output voltage. Both line and load regulation are better than standard fixed regulators. The LM317L-N is available packaged in a standard, easy-to-use TO-92 transistor package.

In addition to higher performance than fixed regulators, the LM317L-N offers full overload protection. Included on the chip are current limit, thermal overload protection, and safe area protection. All overload protection circuitry remains fully functional even if the adjustment terminal is disconnected.

Normally, no capacitors are required unless the device is situated more than 6 inches from the input filter capacitors, in which case an input bypass is required. An optional output capacitor can be added to improve transient response. The adjustment terminal can be bypassed to achieve very high ripple rejection ratios, which are difficult to achieve with standard 3-terminal regulators.

Besides replacing fixed regulators, the LM317L-N is useful in a wide variety of other applications. Because the regulator is *floating* and sees only the input-to-output differential voltage, supplies of several hundred volts can be regulated, provided the maximum input-to-output differential is not exceeded.

The LM317L-N makes a simple adjustable switching regulator, a programmable output regulator, or by connecting a fixed resistor between the adjustment and output, the LM317L-N can be used as a precision current regulator. Supplies with electronic shutdown can be achieved by clamping the adjustment terminal to ground which programs the output to 1.2 V, where most loads draw little current.

The LM317L-N is available in a standard 3-pin TO-92 transistor package, the 8-pin SOIC package, and 6-pin DSBGA package. The LM317L-N is rated for operation over a  $-40^{\circ}\text{C}$  to  $125^{\circ}\text{C}$  range.

#### Device Information<sup>(1)</sup>

PART NUMBER	PACKAGE	BODY SIZE (NOM)
LM317L-N	TO-92 (3)	4.30 mm × 4.30 mm
	SOIC (8)	3.91 mm × 4.90 mm
	DSBGA (6)	1.68 mm × 1.019 mm

(1) For all available packages, see the orderable addendum at the end of the data sheet.



## Table of Contents

<b>1 Features</b> ..... 1 <b>2 Applications</b> ..... 1 <b>3 Description</b> ..... 1 <b>4 Revision History</b> ..... 2 <b>5 Pin Configuration and Functions</b> ..... 3 <b>6 Specifications</b> ..... 4 6.1 Absolute Maximum Rating ..... 4 6.2 ESD Ratings..... 4 6.3 Recommended Operating Conditions ..... 4 6.4 Thermal Information ..... 4 6.5 Electrical Characteristics ..... 5 6.6 Typical Characteristics ..... 6 <b>7 Detailed Description</b> ..... 8 7.1 Overview ..... 8 7.2 Functional Block Diagram ..... 9 7.3 Feature Description..... 10	7.4 Device Functional Modes..... 10 <b>8 Application and Implementation</b> ..... 13 8.1 Application Information..... 13 8.2 Typical Applications ..... 13 <b>9 Power Supply Recommendations</b> ..... 26 <b>10 Layout</b> ..... 26 10.1 Layout Guidelines ..... 26 10.2 Layout Examples..... 26 10.3 Thermal Considerations ..... 27 <b>11 Device and Documentation Support</b> ..... 28 11.1 Documentation Support ..... 28 11.2 Community Resources..... 28 11.3 Trademarks ..... 28 11.4 Electrostatic Discharge Caution..... 28 11.5 Glossary ..... 28 <b>12 Mechanical, Packaging, and Orderable Information</b> ..... 28
---	--

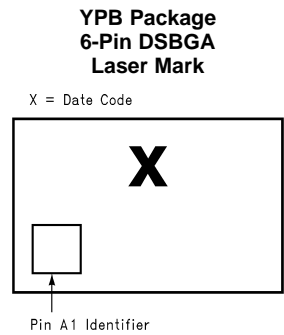
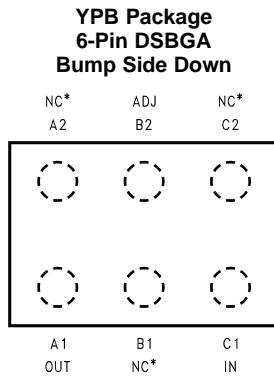
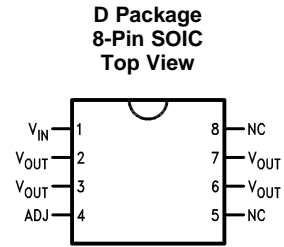
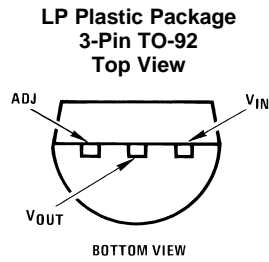
## 4 Revision History

NOTE: Page numbers for previous revisions may differ from page numbers in the current version.

<b>Changes from Revision J (March 2013) to Revision K</b>	<b>Page</b>
<ul style="list-style-type: none"> <li>• Added <i>ESD Ratings</i> table, <i>Feature Description</i> section, <i>Device Functional Modes</i>, <i>Application and Implementation</i> section, <i>Power Supply Recommendations</i> section, <i>Layout</i> section, <i>Device and Documentation Support</i> section, and <i>Mechanical, Packaging, and Orderable Information</i> section. ....</li> </ul>	1

<b>Changes from Revision I (March 2013) to Revision J</b>	<b>Page</b>
<ul style="list-style-type: none"> <li>• Changed layout of National Data Sheet to TI format .....</li> </ul>	26

## 5 Pin Configuration and Functions



### Pin Functions

NAME	PIN			I/O	DESCRIPTION
	TO-92	SOIC	DSBGA		
VIN	3	1	C1	I	Supply input pin
VOUT	2	2, 3, 6, 7	A1	O	Voltage output pin
ADJ	1	4	B2	I	Output voltage adjustment pin. Connect to a resistor divider to set $V_O$ .
NC	—	5, 8	B1, A2, C2	—	No connection

## 6 Specifications

### 6.1 Absolute Maximum Rating <sup>(1)(2)</sup>

	MIN	MAX	UNIT
Power dissipation	Internally Limited		
Input-output voltage differential		40	V
Operating junction temperature	-40	125	°C
Lead temperature (soldering, 4 seconds)		260	°C
Storage temperature, $T_{stg}$	-55	150	°C

- (1) Stresses beyond those listed under *Absolute Maximum Ratings* may cause permanent damage to the device. These are stress ratings only, which do not imply functional operation of the device at these or any other conditions beyond those indicated under *Recommended Operating Conditions*. Exposure to absolute-maximum-rated conditions for extended periods may affect device reliability.
- (2) If Military/Aerospace specified devices are required, contact the Texas Instruments Sales Office/Distributors for availability and specifications.

### 6.2 ESD Ratings

	VALUE	UNIT
$V_{(ESD)}$ Electrostatic discharge Human-body model (HBM), per ANSI/ESDA/JEDEC JS-001 <sup>(1)</sup>	±2000	V

- (1) JEDEC document JEP155 states that 500-V HBM allows safe manufacturing with a standard ESD control process. Pins listed as ±2000 V may actually have higher performance.

### 6.3 Recommended Operating Conditions

over operating free-air temperature range (unless otherwise noted)

	MIN	MAX	UNIT
Operating temperature	-40	125	°C

### 6.4 Thermal Information

THERMAL METRIC <sup>(1)</sup>	LM317L-N				UNIT
	TO-92		SOIC	DSBGA	
	3 PINS		8 PINS	6 PINS	
	0.4-in Leads	0.125-in Leads			
$R_{\theta JA}$ Junction-to-ambient thermal resistance	180	160	165	290	°C/W
$R_{\theta JC(top)}$ Junction-to-case (top) thermal resistance	—	80.6	—	—	°C/W
$R_{\theta JB}$ Junction-to-board thermal resistance	—	—	—	—	°C/W
$\Psi_{JT}$ Junction-to-top characterization parameter	—	24.7	—	—	°C/W
$\Psi_{JB}$ Junction-to-board characterization parameter	—	135.8	—	—	°C/W
$R_{\theta JC(bot)}$ Junction-to-case (bottom) thermal resistance	—	—	—	—	°C/W

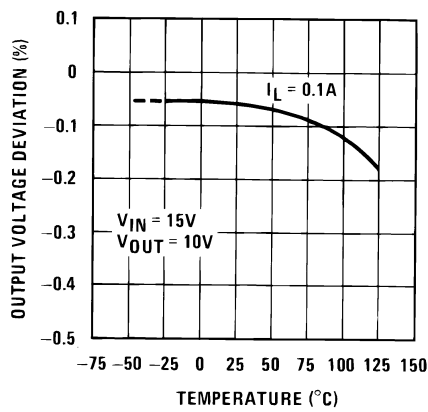
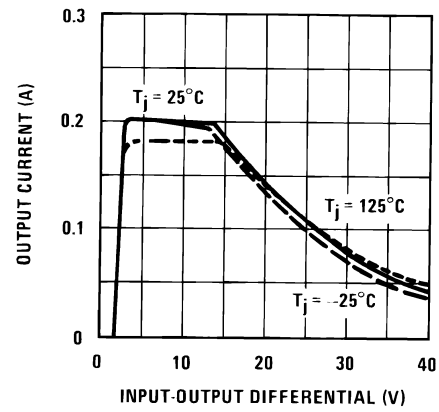
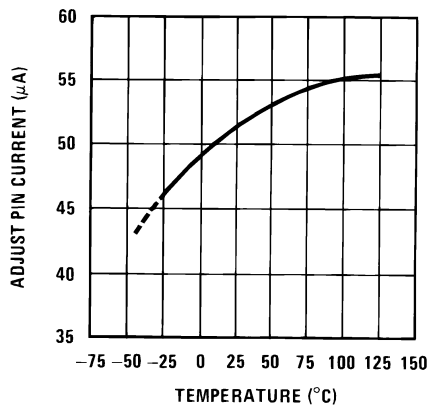
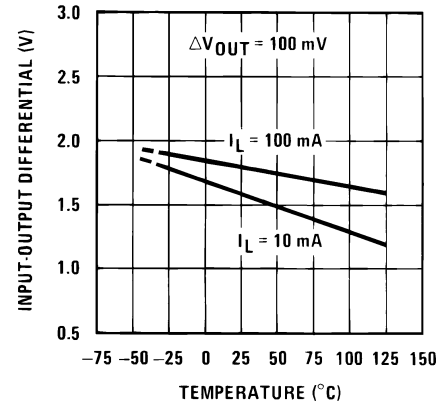
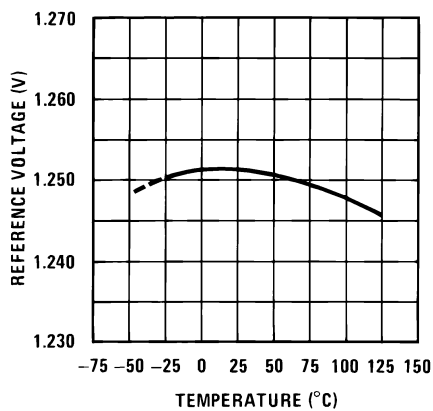
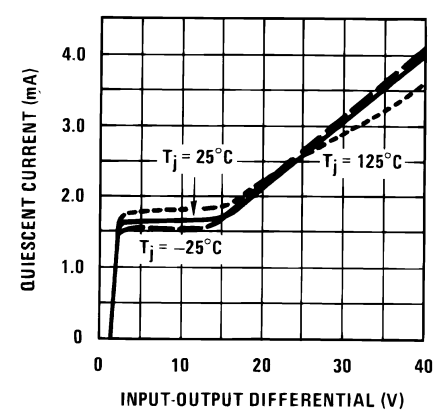
- (1) For more information about traditional and new thermal metrics, see the *Semiconductor and IC Package Thermal Metrics* application report, [SPRA953](#).

## 6.5 Electrical Characteristics <sup>(1)</sup>

PARAMETER	TEST CONDITIONS	MIN	TYP	MAX	UNIT
Line regulation	$T_J = 25^\circ\text{C}$ , $3\text{ V} \leq (V_{IN} - V_{OUT}) \leq 40\text{ V}$ , $I_L \leq 20\text{ mA}$ <sup>(2)</sup>		0.01	0.04	%/V
Load regulation	$T_J = 25^\circ\text{C}$ , $5\text{ mA} \leq I_{OUT} \leq I_{MAX}$ <sup>(2)</sup>		0.1%	0.5%	
Thermal regulation	$T_J = 25^\circ\text{C}$ , 10-ms Pulse		0.04	0.2	%/W
Adjustment pin current			50	100	$\mu\text{A}$
Adjustment pin current change	$5\text{ mA} \leq I_L \leq 100\text{ mA}$ $3\text{ V} \leq (V_{IN} - V_{OUT}) \leq 40\text{ V}$ , $P \leq 625\text{ mW}$		0.2	5	$\mu\text{A}$
Reference voltage	$3\text{ V} \leq (V_{IN} - V_{OUT}) \leq 40\text{ V}$ <sup>(3)</sup> $5\text{ mA} \leq I_{OUT} \leq 100\text{ mA}$ , $P \leq 625\text{ mW}$	1.2	1.25	1.3	V
Line regulation	$3\text{ V} \leq (V_{IN} - V_{OUT}) \leq 40\text{ V}$ , $I_L \leq 20\text{ mA}$ <sup>(2)</sup>		0.02	0.07	%/V
Load regulation	$5\text{ mA} \leq I_{OUT} \leq 100\text{ mA}$ <sup>(2)</sup>		0.3%	1.5%	
Temperature stability	$T_{MIN} \leq T_J \leq T_{MAX}$		0.65%		
Minimum load current	$(V_{IN} - V_{OUT}) \leq 40\text{ V}$		3.5	5	mA
	$3\text{ V} \leq (V_{IN} - V_{OUT}) \leq 15\text{ V}$		1.5	2.5	
Current limit	$3\text{ V} \leq (V_{IN} - V_{OUT}) \leq 13\text{ V}$	100	200	300	mA
	$(V_{IN} - V_{OUT}) = 40\text{ V}$	25	50	150	
RMS output noise, % of $V_{OUT}$	$T_J = 25^\circ\text{C}$ , $10\text{ Hz} \leq f \leq 10\text{ kHz}$		0.003%		
Ripple rejection ratio	$V_{OUT} = 10\text{ V}$ , $f = 120\text{ Hz}$ , $C_{ADJ} = 0$		65		dB
	$C_{ADJ} = 10\text{ }\mu\text{F}$	66	80		
Long-term stability	$T_J = 125^\circ\text{C}$ , 1000 Hours		0.3%	1%	

- (1) Unless otherwise noted, these specifications apply:  $-25^\circ\text{C} \leq T_J \leq 125^\circ\text{C}$  for the LM317L-N;  $V_{IN} - V_{OUT} = 5\text{ V}$  and  $I_{OUT} = 40\text{ mA}$ . Although power dissipation is internally limited, these specifications are applicable for power dissipations up to 625 mW.  $I_{MAX}$  is 100 mA.
- (2) Regulation is measured at constant junction temperature, using pulse testing with a low duty cycle. Changes in output voltage due to heating effects are covered under the specification for thermal regulation.
- (3) Thermal resistance of the TO-92 package is  $180^\circ\text{C/W}$  junction to ambient with 0.4-inch leads from a PCB and  $160^\circ\text{C/W}$  junction to ambient with 0.125-inch lead length to PCB.

## 6.6 Typical Characteristics

 (Output capacitor = 0  $\mu$ F unless otherwise noted.)

**Figure 1. Load Regulation**

**Figure 2. Current Limit**

**Figure 3. Adjustment Current**

**Figure 4. Dropout Voltage**

**Figure 5. Reference Voltage Temperature Stability**

**Figure 6. Minimum Operating Current**

Typical Characteristics (continued)

(Output capacitor = 0  $\mu\text{F}$  unless otherwise noted.)

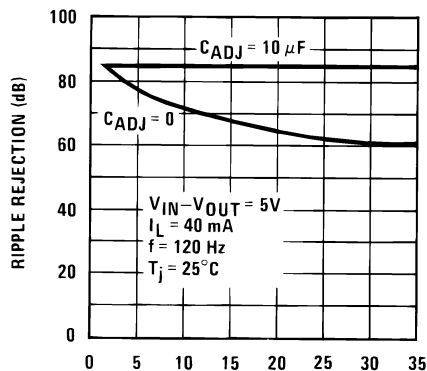


Figure 7. Ripple Rejection

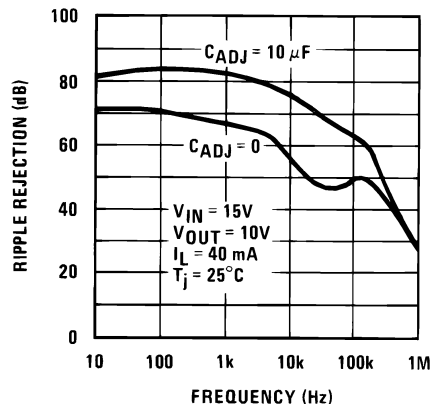


Figure 8. Ripple Rejection

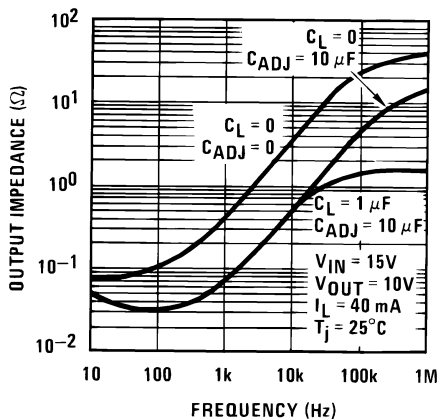


Figure 9. Output Impedance

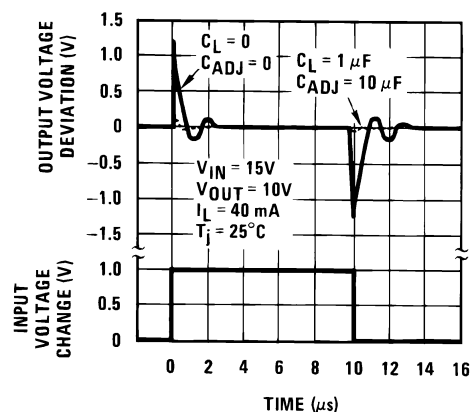


Figure 10. Line Transient Response

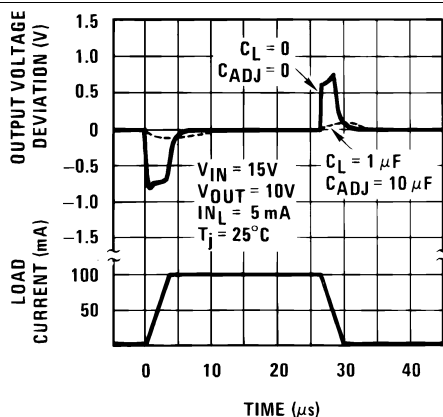


Figure 11. Load Transient Response

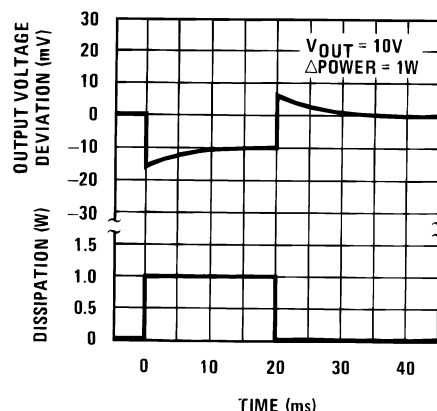


Figure 12. Thermal Regulation

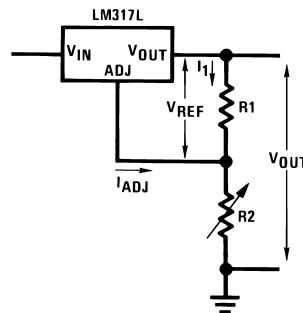
## 7 Detailed Description

### 7.1 Overview

In operation, the LM317L-N develops a nominal 1.25-V reference voltage,  $V_{REF}$ , between the output and adjustment terminal. The reference voltage is impressed across program resistor  $R1$  and, because the voltage is constant, a constant current  $I_1$  then flows through the output set resistor  $R2$ , giving an output voltage of:

$$V_{OUT} = V_{REF} \left( 1 + \frac{R2}{R1} \right) + I_{ADJ}(R2) \quad (1)$$

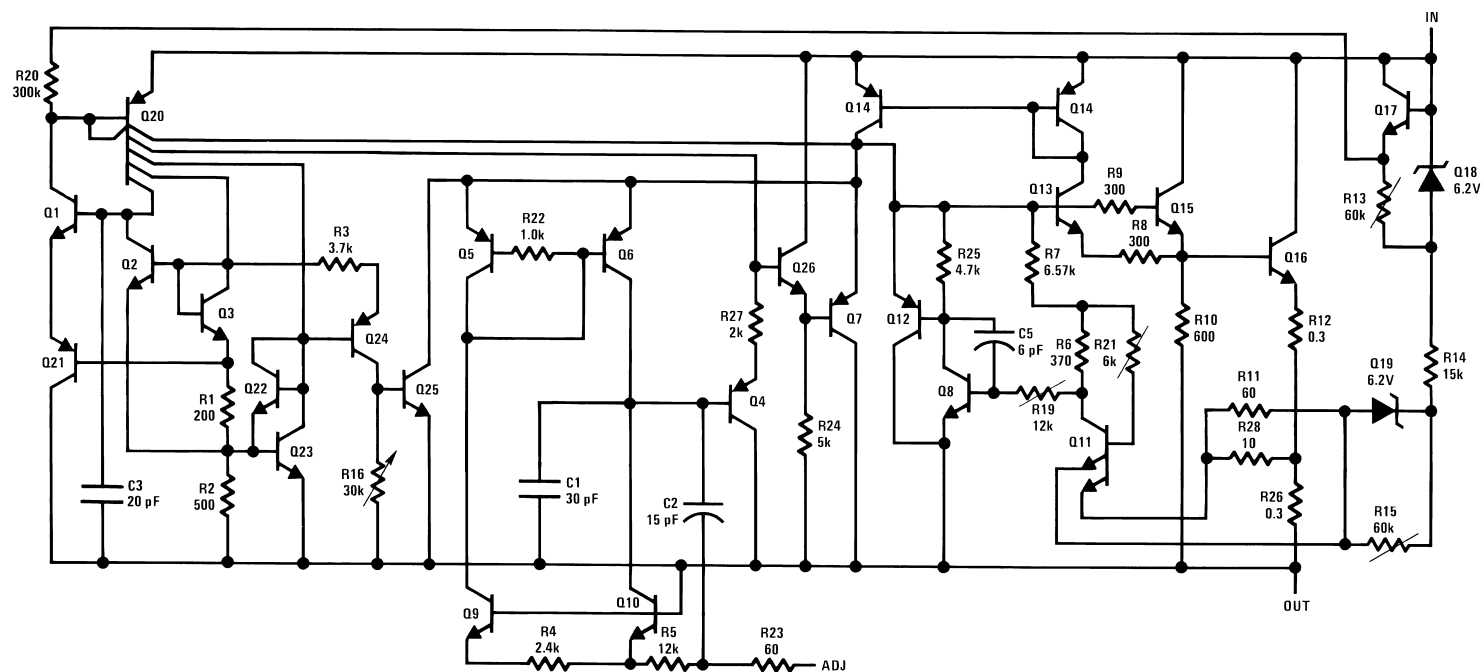
Because the 100- $\mu$ A current from the adjustment terminal represents an error term, the LM317L-N was designed to minimize  $I_{ADJ}$  and make it very constant with line and load changes. To do this, all quiescent operating current is returned to the output establishing a minimum load current requirement. If there is insufficient load on the output, the output will rise.



**Figure 13. Typical Application Circuit for Adjustable Regulator**



## 7.2 Functional Block Diagram



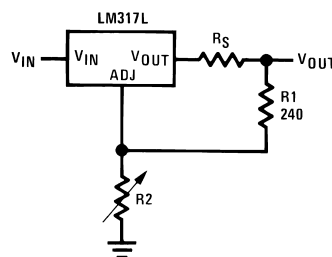
## 7.3 Feature Description

### 7.3.1 Load Regulation

The LM317L-N is capable of providing extremely good load regulation but a few precautions are needed to obtain maximum performance. The current set resistor connected between the adjustment terminal and the output terminal (usually 240  $\Omega$ ) must be tied directly to the output of the regulator rather than near the load. This eliminates line drops from appearing effectively in series with the reference and degrading regulation. For example, a 15-V regulator with 0.05- $\Omega$  resistance between the regulator and load will have a load regulation due to line resistance of 0.05  $\Omega \times I_L$ . If the set resistor is connected near the load the effective line resistance will be 0.05  $\Omega (1 + R_2/R_1)$  or in this case, 11.5 times worse.

Figure 14 shows the effect of resistance between the regulator and 240- $\Omega$  set resistor.

With the TO-92 package, it is easy to minimize the resistance from the case to the set resistor, by using two separate leads to the output pin. The ground of R2 can be returned near the ground of the load to provide remote ground-sensing and improve load regulation.



**Figure 14. Regulator With Line Resistance in Output Lead**

## 7.4 Device Functional Modes

### 7.4.1 External Capacitors

An input bypass capacitor is recommended in case the regulator is more than 6 inches away from the usual large filter capacitor. A 0.1- $\mu\text{F}$  disc or 1- $\mu\text{F}$  solid tantalum on the input is suitable input bypassing for almost all applications. The device is more sensitive to the absence of input bypassing when adjustment or output capacitors are used, but the above values will eliminate the possibility of problems.

The adjustment terminal can be bypassed to ground on the LM317L-N to improve ripple rejection and noise. This bypass capacitor prevents ripple and noise from being amplified as the output voltage is increased. With a 10- $\mu\text{F}$  bypass capacitor 80-dB ripple rejection is obtainable at any output level. Increases over 10- $\mu\text{F}$  do not appreciably improve the ripple rejection at frequencies above 120 Hz. If the bypass capacitor is used, it is sometimes necessary to include protection diodes to prevent the capacitor from discharging through internal low current paths and damaging the device.

In general, the best type of capacitors to use is solid tantalum. *Solid tantalum capacitors have low impedance even at high frequencies.* Depending upon capacitor construction, it takes about 25  $\mu\text{F}$  in aluminum electrolytic to equal 1- $\mu\text{F}$  solid tantalum at high frequencies. Ceramic capacitors are also good at high frequencies; but some types have a large decrease in capacitance at frequencies around 0.5 MHz. For this reason, a 0.01- $\mu\text{F}$  disc may seem to work better than a 0.1- $\mu\text{F}$  disc as a bypass.

Although the LM317L-N is stable with no output capacitors, like any feedback circuit, certain values of external capacitance can cause excessive ringing. This occurs with values between 500 pF and 5000 pF. A 1- $\mu\text{F}$  solid tantalum (or 25- $\mu\text{F}$  aluminum electrolytic) on the output swamps this effect and insures stability.

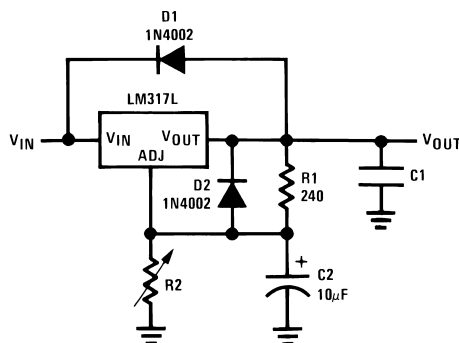
### 7.4.2 Protection Diodes

When external capacitors are used with *any* IC regulator it is sometimes necessary to add protection diodes to prevent the capacitors from discharging through low current points into the regulator. Most 10- $\mu\text{F}$  capacitors have low enough internal series resistance to deliver 20-A spikes when shorted. Although the surge is short, there is enough energy to damage parts of the IC.

## Device Functional Modes (continued)

When an output capacitor is connected to a regulator and the input is shorted, the output capacitor will discharge into the output of the regulator. The discharge current depends on the value of the capacitor, the output voltage of the regulator, and the rate of decrease of  $V_{IN}$ . In the LM317L-N, this discharge path is through a large junction that is able to sustain a 2-A surge with no problem. This is not true of other types of positive regulators. For output capacitors of 25  $\mu\text{F}$  or less, the ballast resistors and output structure of the LM317L-N limit the peak current to a low enough level so that there is no need to use a protection diode.

The bypass capacitor on the adjustment terminal can discharge through a low current junction. Discharge occurs when *either* the input or output is shorted. Internal to the LM317L-N is a 50- $\Omega$  resistor which limits the peak discharge current. No protection is needed for output voltages of 25 V or less and 10- $\mu\text{F}$  capacitance. Figure 15 shows an LM317L-N with protection diodes included for use with outputs greater than 25 V and high values of output capacitance.



$$V_{OUT} = V_{REF} \left( 1 + \frac{R_2}{R_1} \right) + I_{ADJ}(R_2)$$

D1 protects against C1

D2 protects against C2

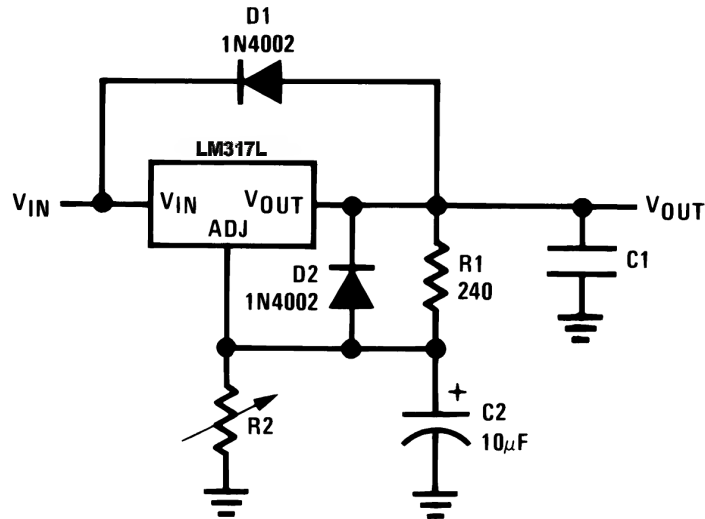
Figure 15. Regulator With Protection Diodes

### 7.4.3 Protection Diodes

When external capacitors are used with any IC regulator, it is sometimes necessary to add protection diodes to prevent the capacitors from discharging through low-current points into the regulator. Most 10- $\mu\text{F}$  capacitors have low enough internal series resistance to deliver 20-A spikes when shorted. Although the surge is short, there is enough energy to damage parts of the IC.

When an output capacitor is connected to a regulator and the input is shorted, the output capacitor will discharge into the output of the regulator. The discharge current depends on the value of the capacitor, the output voltage of the regulator, and the rate of decrease of  $V_{IN}$ . In the LM317L-N, this discharge path is through a large junction that is able to sustain 15-A surge with no problem. This is not true of other types of positive regulators. For output capacitors of 25  $\mu\text{F}$  or less, there is no need to use diodes.

The bypass capacitor on the adjustment terminal can discharge through a low current junction. Discharge occurs when *either* the input, or the output, is shorted. Internal to the LM317L-N is a 50- $\Omega$  resistor which limits the peak discharge current. No protection is needed for output voltages of 25 V or less and 10- $\mu\text{F}$  capacitance. Figure 16 shows an LM317L-N with protection diodes included for use with outputs greater than 25 V and high values of output capacitance.

**Device Functional Modes (continued)**


$$V_{OUT} = 1.25 V \left( 1 + \frac{R_2}{R_1} \right) + I_{ADJ} (R_2)$$

D1 protects against C1

D2 protects against C2

**Figure 16. Regulator With Protection Diodes**

**7.4.4 DSBGA Light Sensitivity**

Exposing the LM317L-N DSBGA package to bright sunlight may cause the  $V_{REF}$  to drop. In a normal office environment of fluorescent lighting the output is not affected. The LM317 DSBGA does not sustain permanent damage from light exposure. Removing the light source causes  $V_{REF}$  of the LM317L-N to recover to the proper value.

## 8 Application and Implementation

### NOTE

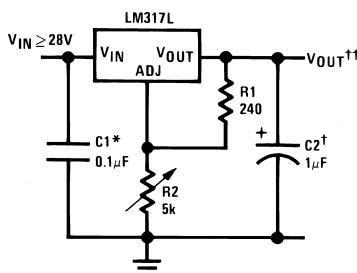
Information in the following applications sections is not part of the TI component specification, and TI does not warrant its accuracy or completeness. TI's customers are responsible for determining suitability of components for their purposes. Customers should validate and test their design implementation to confirm system functionality.

### 8.1 Application Information

The LM317L-N is a versatile, high-performance, linear regulator with 1% output-voltage accuracy. An output capacitor can be added to further improve transient response, and the ADJ pin can be bypassed to achieve very high ripple-rejection ratios. Its functionality can be used in many different applications that require high performance regulation, such as battery chargers, constant-current regulators, and microprocessor supplies.

### 8.2 Typical Applications

#### 8.2.1 1.25-V to 25-V Adjustable Regulator



Full output current not available at high input-output voltages

†Optional—improves transient response

\*Needed if device is more than 6 inches from filter capacitors

$$\dagger\dagger V_{OUT} = 1.25V \left( 1 + \frac{R_2}{R_1} \right) + I_{ADJ} (R_2)$$

Figure 17. 1.25-V to 25-V Adjustable Regulator

#### 8.2.1.1 Design Requirements

The device component count is very minimal, employing two resistors as part of a voltage-divider circuit and an output capacitor for load regulation. An input capacitor is needed if the device is more than 6 inches from filter capacitors. An optional bypass capacitor across R2 can also be used to improve PSRR.

#### 8.2.1.2 Detailed Design Procedure

The output voltage is set based on the selection of the two resistors, R1 and R2, as shown in [Figure 17](#). For details on capacitor selection, see [External Capacitors](#).

## Typical Applications (continued)

### 8.2.1.3 Application Curve

As shown in Figure 18,  $V_{OUT}$  rises with  $V_{IN}$  minus some dropout voltage. This dropout voltage during start-up will vary with  $R_{OUT}$ .

$$V_{OUT} = 5\text{ V}$$

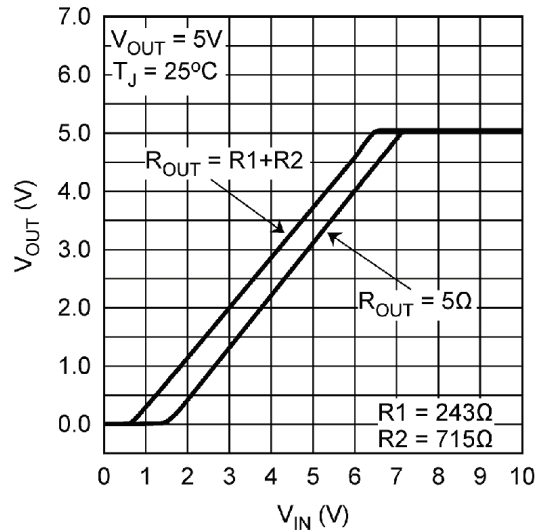
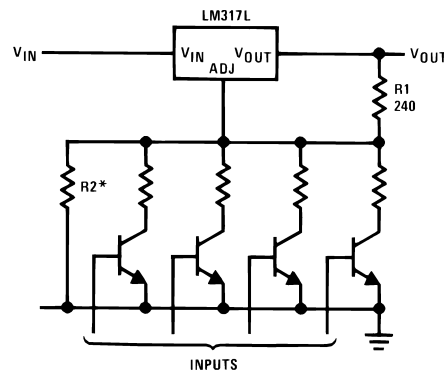


Figure 18.  $V_{OUT}$  vs  $V_{IN}$

### 8.2.2 Digitally-Selected Outputs

Figure 19 demonstrates a digitally-selectable output voltage. In its default state, all transistors are off and the output voltage is set based on  $R1$  and  $R2$ . By driving certain transistors, the associated resistor is connected in parallel to  $R2$ , modifying the output voltage of the regulator.



\*Sets maximum  $V_{OUT}$

Figure 19. Digitally-Selected Outputs

## Typical Applications (continued)

### 8.2.3 High Gain Amplifier

This application uses the LM395 Power Transistor to amplify the input voltage. The LM317L connected to R2 produces a constant current of  $1.2V/R2$  through the BJT. By altering the base current entering the LM395, the effective resistance can be changed resulting in an appropriate voltage fluctuation at the output.

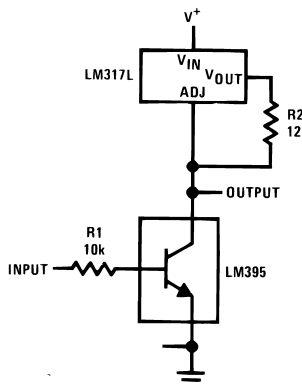
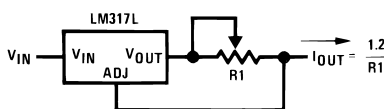


Figure 20. High Gain Amplifier

### 8.2.4 Adjustable Current Limiter

This application will limit the output current to the  $I_{OUT}$  in the diagram. The current limit is determined by adjusting the resistance between the  $V_{OUT}$  and  $V_{ADJ}$  pins. The 1.2-V reference voltage across R1 generates the maximum current.



$$12 \leq R1 \leq 240$$

Figure 21. Adjustable Current Limiter

### 8.2.5 Precision Current Limiter

This application will limit the output current to the  $I_{OUT}$  in the diagram. An initial reference current is generated based on the resistance between the  $V_{OUT}$  and  $V_{ADJ}$  pins. In the case of Figure 22, 1.25 V across 1 k $\Omega$  plus half of the 500- $\Omega$  resistor results in 1 mA of current, producing 1.5 V total across the two resistors in series. This voltage also appears across R1, making the maximum current the sum of the branch currents.

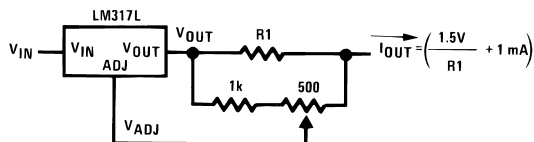


Figure 22. Precision Current Limiter

## Typical Applications (continued)

### 8.2.6 Slow Turnon 15-V Regulator

An application of LM317L-N includes a PNP transistor with a capacitor to implement slow turnon functionality (see Figure 23). As  $V_{IN}$  rises, the PNP sinks current from the ADJ rail. The output voltage at start-up is the addition of the 1.25-V reference plus the drop across the base to emitter. While this is happening, the capacitor begins to charge and eventually opens the PNP. At this point, the device functions normally, regulating the output at 15 V. A diode is placed between C1 and  $V_{OUT}$  to provide a path for the capacitor to discharge. Such controlled turnon is useful for limiting the in-rush current.

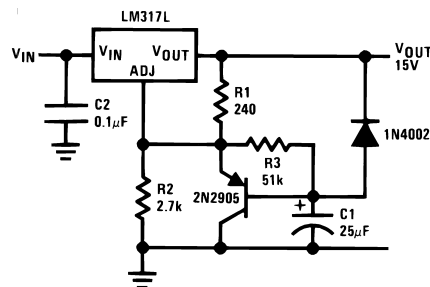
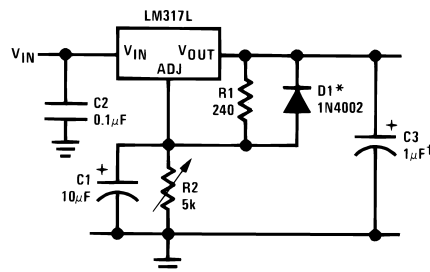


Figure 23. Slow Turnon 15-V Regulator

### 8.2.7 Adjustable Regulator With Improved Ripple Rejection

To improve ripple rejection, a capacitor is used to bypass the ADJ pin to GND (see Figure 24). This is used to smooth output ripple by cleaning the feedback path and stopping unnecessary noise from being fed back into the device, propagating the noise.



†Solid tantalum

\*Discharges C1 if output is shorted to ground

Figure 24. Adjustable Regulator With Improved Ripple Rejection

### 8.2.8 High Stability 10-V Regulator

This application will regulate to an output voltage of 10 V and will remain stable even with input voltage transients. The LM329 is a precision Zener reference diode that helps maintain stability.

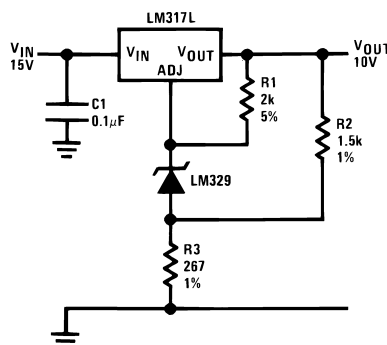


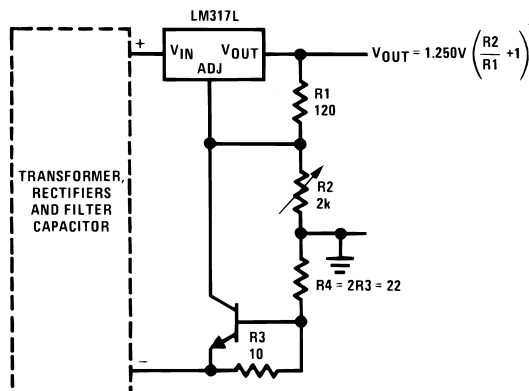
Figure 25. High Stability 10-V Regulator



Typical Applications (continued)

8.2.9 Adjustable Regulator With Current Limiter

This application regulates to an output voltage set by the ratio of R2 and R1 and limits the output current using R3 as shown in Figure 26.

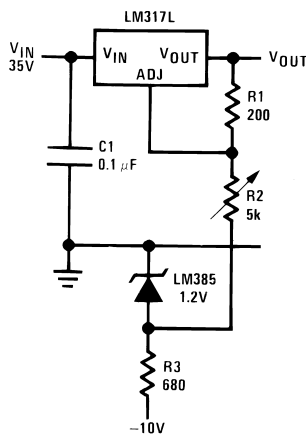


Short circuit current is approximately 600 mV/R3, or 60 mA (compared to LM317L-NZ's 200-mA current limit). At 25-mA output only 3/4 V of drop occurs in R3 and R4.

Figure 26. Adjustable Regulator With Current Limiter

8.2.10 0-V to 30-V Regulator

This application regulates the output voltage from 0 V to 30 V using the resistor divider at the output. The adjustment pin reference voltage is 1.25 V so select the resistor divider that provides the needed output voltage.



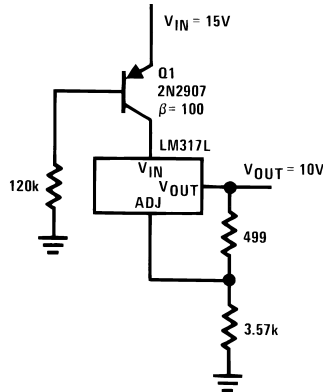
Full output current not available at high input-output voltages

Figure 27. 0-V to 30-V Regulator

## Typical Applications (continued)

### 8.2.11 Regulator With 15-mA Short-Circuit Current

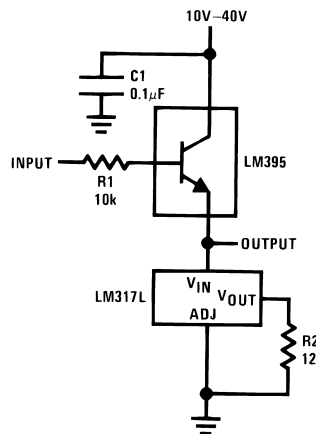
This application regulates to a 10-V output with a 15-mA short-circuit current. The output voltage is set by the resistor divider at the output and the PNP is required to set the short-circuit current.



**Figure 28. Regulator With 15-mA Short-Circuit Current**

### 8.2.12 Power Follower

This application provides an output voltage that follows the input voltage while providing a current gain. The LM395 is a power transistor that operates as an emitter follower and provides a short-circuit current limit while the LM317 acts as a constant-current load.

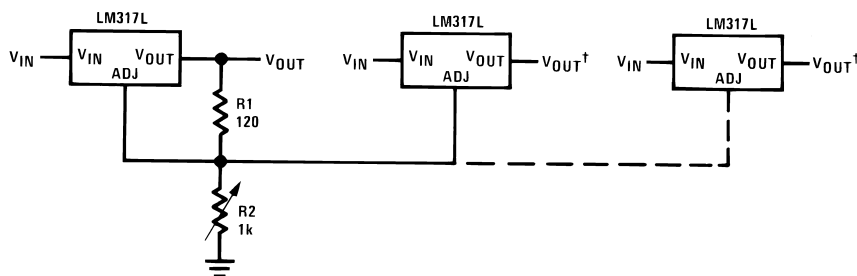


**Figure 29. Power Follower**

## Typical Applications (continued)

### 8.2.13 Adjusting Multiple On-Card Regulators With Single Control

Figure 30 shows how multiple LM317L-N regulators can be controlled by setting one resistor. Because each device maintains the reference voltage of about 1.25 V between its  $V_{OUT}$  and ADJ pins, we can connect each ADJ rail to a single resistor, setting the same output voltage across all devices. This allows for independent outputs, each responding to its corresponding input only. Designers must also consider that by the nature of the circuit, changes to R1 and R2 will affect all regulators.



\*All outputs within  $\pm 100$  mV

†Minimum load –5 mA

Figure 30. Adjusting Multiple On-Card Regulators With Single Control\*

### 8.2.14 100-mA Current Regulator

This application regulates the output current to maximum of 100 mA as shown in Figure 31.

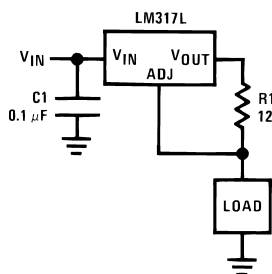
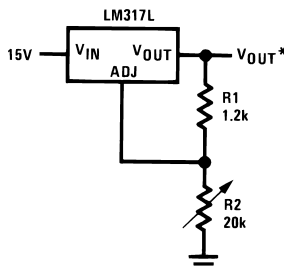


Figure 31. 100-mA Current Regulator

### 8.2.15 1.2-V to 12-V Regulator With Minimum Program Current

This application regulates the output voltage between 1.2 V and 12 V depending on the resistor divider at the output while allowing minimum programmable load current down to 2 mA as shown in Figure 32.



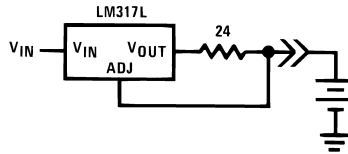
\*Minimum load current  $\approx 2$  mA

Figure 32. 1.2-V to 12-V Regulator With Minimum Program Current

**Typical Applications (continued)**

**8.2.16 50-mA Constant Current Battery Charger for Nickel-Cadmium Batteries**

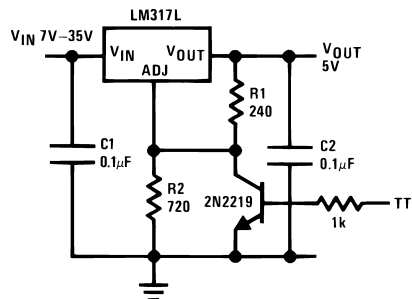
This application provides a 50-mA constant current at the output which can be used as a constant current battery charger for Nickel-Cadmium batteries. The resistor at the output sets the output current value.



**Figure 33. 50-mA Constant Current Battery Charger for Nickel-Cadmium Batteries**

**8.2.17 5-V Logic Regulator With Electronic Shutdown**

Figure 34 shows a variation of the 5-V output regulator application uses the LM317L-N, along with an NPN transistor, to provide shutdown control. The NPN will either block or sink the current from the ADJ pin by responding to the TTL pin logic. When TTL is pulled high, the NPN is on and pulls the ADJ pin to GND, and the LM317L-N outputs about 1.25 V. When TTL is pulled low, the NPN is off and the regulator outputs according to the programmed adjustable voltage.

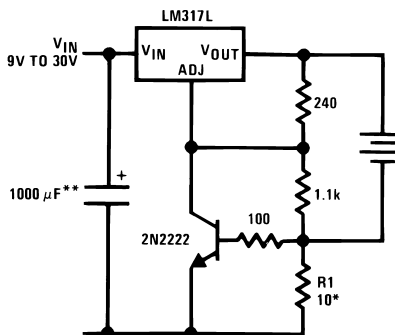


\*Minimum output  $\approx$  1.2 V

**Figure 34. 5-V Logic Regulator With Electronic Shutdown\***

**8.2.18 Current-Limited 6-V Charger**

The current in a battery charger application is limited by switching between constant-current and constant-voltage states (see Figure 35). When the battery pulls low current, the drop across the 1- $\Omega$  resistor is not substantial and the NPN remains off. A constant voltage is seen across the battery, as regulated by the resistor divider. When current through the battery rises past peak current, the 1  $\Omega$  provides enough voltage to turn the transistor on, pulling ADJ close to ground. This results in limiting the maximum current to the battery.



\*Sets peak current,  $I_{PEAK} = 0.6 \text{ V/R1}$

\*\*1000  $\mu\text{F}$  is recommended to filter out any input transients.

**Figure 35. Current Limited 6-V Charger**

Typical Applications (continued)

8.2.19 Short Circuit-Protected 80-V Supply

This application provides a 80-V output voltage from 0 mA to 20 mA as shown in Figure 36. The Triad provides an AC to DC conversion and the short-circuit protection is provided by the fuse. The output voltage can be adjusted by adjusting the resistor divider at the output.

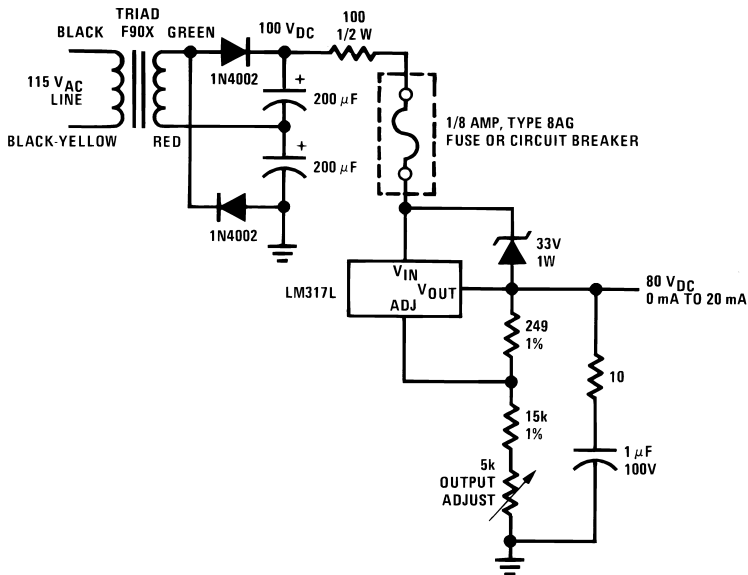
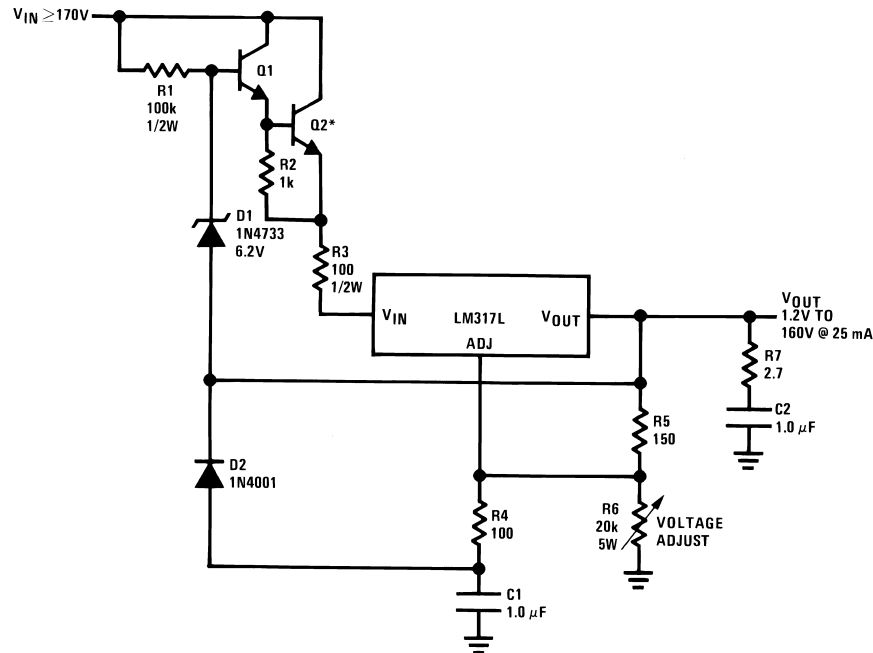


Figure 36. Short Circuit-Protected 80-V Supply

Typical Applications (continued)

8.2.20 Basic High-Voltage Regulator

This application regulates the output voltage from 1.2 V to 160 V at 25 mA as shown in Figure 37. The output voltage is set by the resistor divider at the output. The Darlington pair transistor configuration provides a current gain from the input source to the LM317.



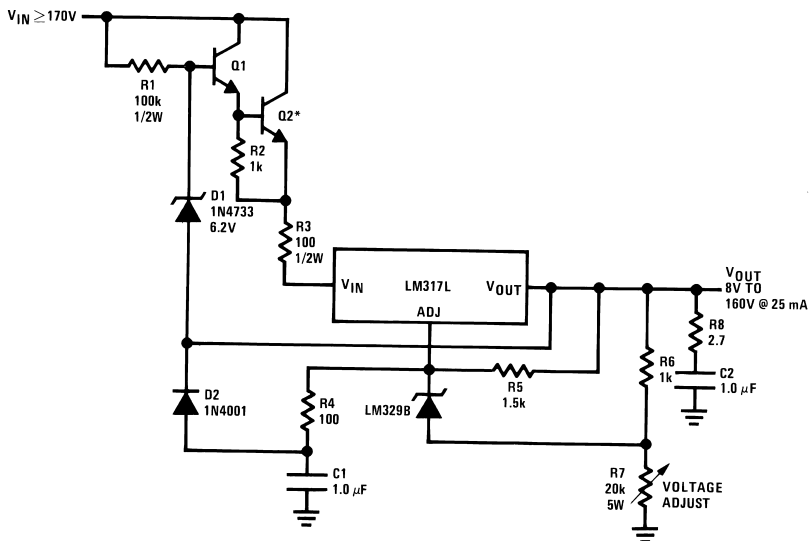
Q1, Q2: NSD134 or similar  
 C1, C2: 1 μF, 200-V mylar\*\*  
 \*\*Heat sink

Figure 37. Basic High-Voltage Regulator

## Typical Applications (continued)

### 8.2.21 Precision High-Voltage Regulator

This application regulates the output voltage from 8 V to 160 V at 25 mA as shown in Figure 38. The Zener diode connected from the adjust pin to  $V_{OUT}$  provides better precision than the basic high-voltage regulator.

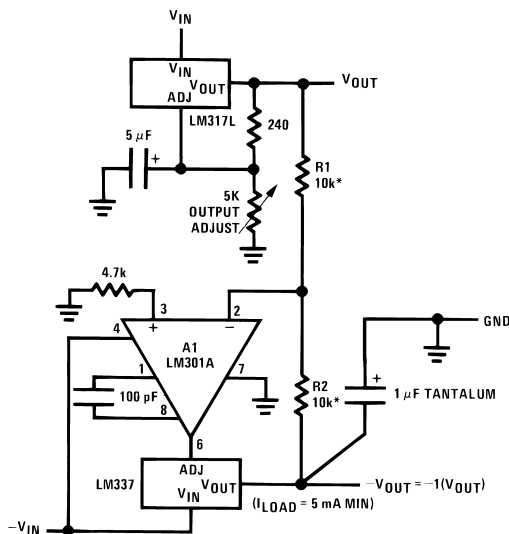


Q1, Q2: NSD134 or similar  
C1, C2: 1  $\mu$ F, 200-V mylar\*\*  
\*Heat sink  
\*\*Mylar is a registered trademark of DuPont Co.

Figure 38. Precision High-Voltage Regulator

### 8.2.22 Tracking Regulator

This application regulates to an output voltage set by the output resistor divider and also uses the LM301A operational amplifier to provide a negative voltage that tracks the output voltage.



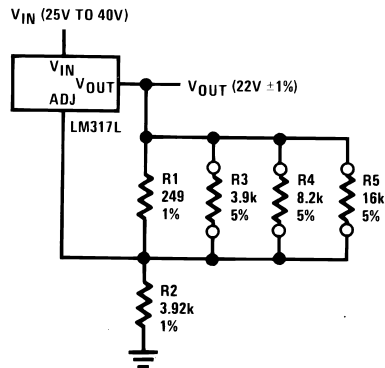
A1 = LM301A, LM307, or LF13741 only  
R1, R2 = matched resistors with good TC tracking

Figure 39. Tracking Regulator

## Typical Applications (continued)

### 8.2.23 Regulator With Trimmable Output Voltage

This application provides an output voltage set by the output resistor divider that can be finely tuned to  $\pm 1\%$  by removing output resistors. See the trim procedure in [Figure 40](#).



#### Trim Procedure:

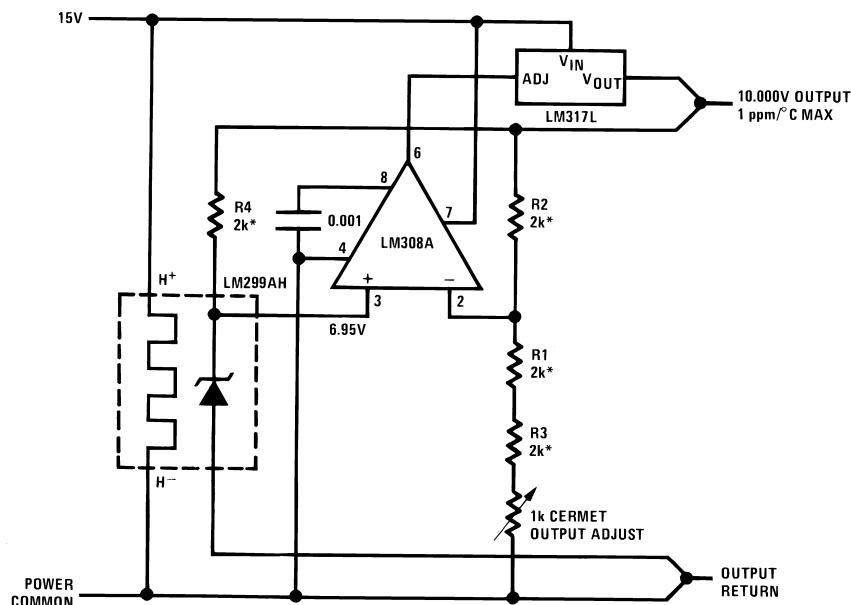
- If  $V_{OUT}$  is 23.08 V or higher, cut out R3 (if lower, don't cut it out).
- Then if  $V_{OUT}$  is 22.47 V or higher, cut out R4 (if lower, don't).
- Then if  $V_{OUT}$  is 22.16 V or higher, cut out R5 (if lower, don't).

This will trim the output to well within  $\pm 1\%$  of 22.00  $V_{DC}$ , without any of the expense or uncertainty of a trim pot (see LB-46). This technique can be used at any output voltage level.

**Figure 40. Regulator With Trimmable Output Voltage**

### 8.2.24 Precision Reference With Short-Circuit Proof Output

This application provides a precise output voltage with short-circuit protection. The precision results from using the LM308A operational amplifier connected between the adjust pin and output voltage pin as a comparator with the LM299AH precision reference.



\*R1–R4 from thin-film network,  
Beckman 694-3-R2K-D or similar

**Figure 41. Precision Reference With Short-Circuit Proof Output**



Typical Applications (continued)

8.2.25 Fully-Protected (Bulletproof) Lamp Driver

This application drives a lamp using a programmable gain instrumentation amplifier at the output.

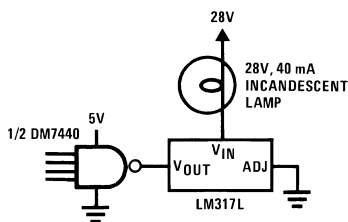
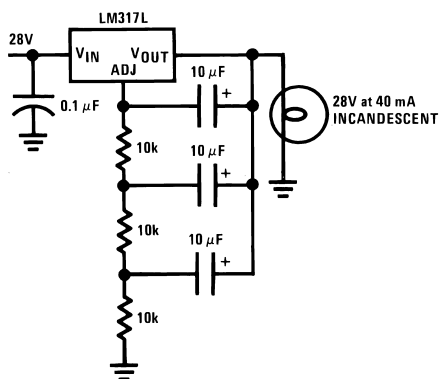


Figure 42. Fully-Protected (Bulletproof) Lamp Driver

8.2.26 Lamp Flasher

This application uses a combination of capacitors and resistors connected between the output voltage pin and the adjust pin to cause the lamp connected at the output voltage pin to flash.



Output rate—4 flashes per second at 10% duty cycle

Figure 43. Lamp Flasher

## 9 Power Supply Recommendations

The input supply to the LM317L-N must be kept at a voltage level lower than the maximum input-to-output differential voltage of 40 V. When possible, the minimum dropout voltage must also be met with extra headroom to keep the LM317L-N in regulation. TI recommends using an input capacitor, especially when the input pin is located more than 6 inches away from the power supply source. For more information regarding capacitor selection, see [External Capacitors](#).

## 10 Layout

### 10.1 Layout Guidelines

Some layout guidelines should be followed to ensure proper regulation of the output voltage with minimum noise. Traces carrying the load current must be wide to reduce the amount of parasitic trace inductance and the feedback loop from  $V_{OUT}$  to ADJ should be kept as short as possible. To improve PSRR, a bypass capacitor can be placed at the ADJ pin and must be located as close as possible to the IC. In cases when  $V_{IN}$  shorts to ground, an external diode should be placed from  $V_{OUT}$  to  $V_{IN}$  to divert the surge current from the output capacitor and protect the IC. Similarly, in cases when a large bypass capacitor is placed at the ADJ pin and  $V_{OUT}$  shorts to ground, an external diode should be placed from ADJ to  $V_{OUT}$  to provide a path for the bypass capacitor to discharge. These diodes must be placed close to the corresponding IC pins to increase their effectiveness.

### 10.2 Layout Examples

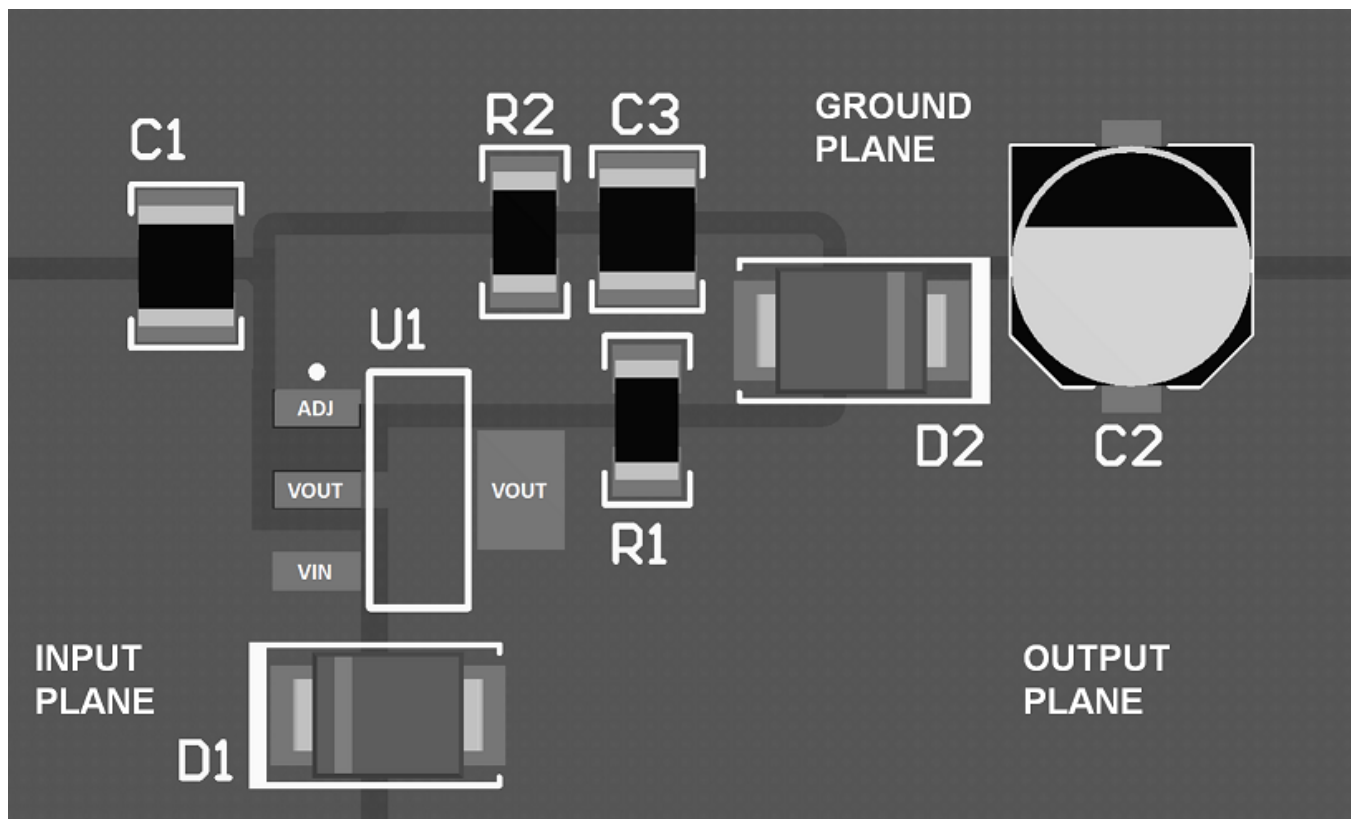


Figure 44. Layout Example (SOT-223)

Layout Examples (continued)

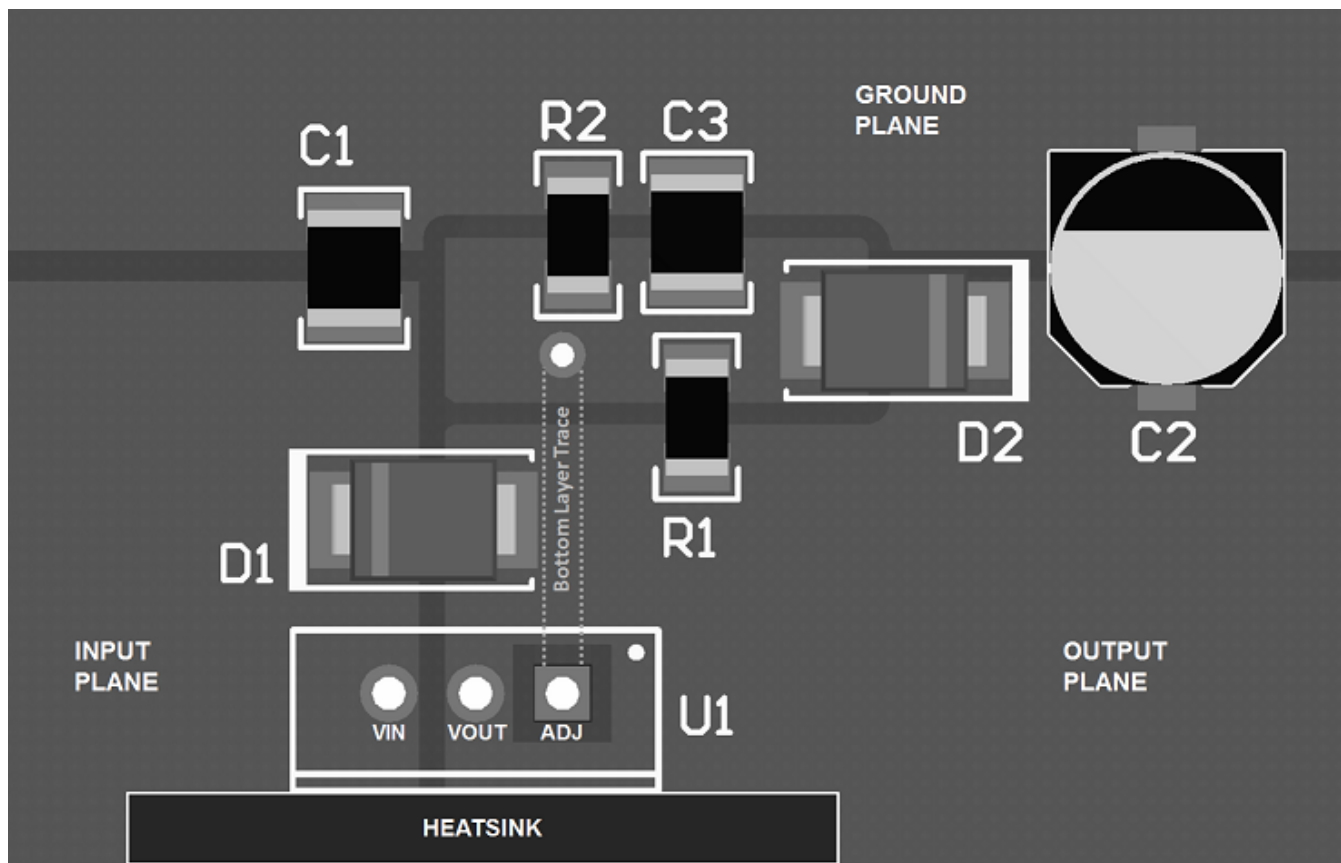


Figure 45. Layout Example (TO-220)

10.3 Thermal Considerations

When power is dissipated in an IC, a temperature gradient occurs across the IC chip affecting the individual IC circuit components. With an IC regulator, this gradient can be especially severe since power dissipation is large. Thermal regulation is the effect of these temperature gradients on output voltage (in percentage output change) per watt of power change in a specified time. Thermal regulation error is independent of electrical regulation or temperature coefficient, and occurs within 5 ms to 50 ms after a change in power dissipation. Thermal regulation depends on IC layout as well as electrical design. The thermal regulation of a voltage regulator is defined as the percentage change of  $V_{OUT}$ , per watt, within the first 10 ms after a step of power is applied. The LM317L-N specification is 0.2%/W, maximum.

In Figure 12, a typical output of the LM317L-N changes only 7 mV (or 0.07% of  $V_{OUT} = -10\text{ V}$ ) when a 1-W pulse is applied for 10 ms. This performance is thus well inside the specification limit of  $0.2\%/W \times 1\text{ W} = 0.2\%$  maximum. When the 1-W pulse is ended, the thermal regulation again shows a 7-mV change as the gradients across the LM317L-N chip die out.

NOTE

The load regulation error of about 14 mV (0.14%) is additional to the thermal regulation error.

## 11 Device and Documentation Support

### 11.1 Documentation Support

#### 11.1.1 Related Documentation

For related documentation, see the following:

*AN-1112 DSBGA Wafer Level Chip Scale Package* ([SNVA009](#))

### 11.2 Community Resources

The following links connect to TI community resources. Linked contents are provided "AS IS" by the respective contributors. They do not constitute TI specifications and do not necessarily reflect TI's views; see TI's [Terms of Use](#).

**TI E2E™ Online Community** *TI's Engineer-to-Engineer (E2E) Community*. Created to foster collaboration among engineers. At [e2e.ti.com](#), you can ask questions, share knowledge, explore ideas and help solve problems with fellow engineers.

**Design Support** *TI's Design Support* Quickly find helpful E2E forums along with design support tools and contact information for technical support.

### 11.3 Trademarks

E2E is a trademark of Texas Instruments.  
All other trademarks are the property of their respective owners.

### 11.4 Electrostatic Discharge Caution



These devices have limited built-in ESD protection. The leads should be shorted together or the device placed in conductive foam during storage or handling to prevent electrostatic damage to the MOS gates.

### 11.5 Glossary

[SLYZ022](#) — *TI Glossary*.

This glossary lists and explains terms, acronyms, and definitions.

## 12 Mechanical, Packaging, and Orderable Information

The following pages include mechanical, packaging, and orderable information. This information is the most current data available for the designated devices. This data is subject to change without notice and revision of this document. For browser-based versions of this data sheet, refer to the left-hand navigation.

**PACKAGING INFORMATION**

Orderable Device	Status (1)	Package Type	Package Drawing	Pins	Package Qty	Eco Plan (2)	Lead/Ball Finish (6)	MSL Peak Temp (3)	Op Temp (°C)	Device Marking (4/5)	Samples
LM317LITP/NOPB	ACTIVE	DSBGA	YPB	6	250	Green (RoHS & no Sb/Br)	SNAGCU	Level-1-260C-UNLIM	-40 to 125	P 1	<a href="#">Samples</a>
LM317LITPX/NOPB	ACTIVE	DSBGA	YPB	6	3000	Green (RoHS & no Sb/Br)	SNAGCU	Level-1-260C-UNLIM	-40 to 125	P 1	<a href="#">Samples</a>
LM317LM/NOPB	ACTIVE	SOIC	D	8	95	Green (RoHS & no Sb/Br)	CU SN	Level-1-260C-UNLIM	-40 to 125	LM317 LM	<a href="#">Samples</a>
LM317LMX	NRND	SOIC	D	8	2500	TBD	Call TI	Call TI	-40 to 125	LM317 LM	
LM317LMX/NOPB	ACTIVE	SOIC	D	8	2500	Green (RoHS & no Sb/Br)	CU SN	Level-1-260C-UNLIM	-40 to 125	LM317 LM	<a href="#">Samples</a>
LM317LZ/LFT1	ACTIVE	TO-92	LP	3	2000	Green (RoHS & no Sb/Br)	CU SN	N / A for Pkg Type		LM317 LZ	<a href="#">Samples</a>
LM317LZ/LFT2	ACTIVE	TO-92	LP	3	2000	Green (RoHS & no Sb/Br)	CU SN	N / A for Pkg Type		LM317 LZ	<a href="#">Samples</a>
LM317LZ/LFT3	ACTIVE	TO-92	LP	3	2000	Green (RoHS & no Sb/Br)	CU SN	N / A for Pkg Type		LM317 LZ	<a href="#">Samples</a>
LM317LZ/LFT4	ACTIVE	TO-92	LP	3	2000	Green (RoHS & no Sb/Br)	CU SN	N / A for Pkg Type		LM317 LZ	<a href="#">Samples</a>
LM317LZ/LFT7	ACTIVE	TO-92	LP	3	2000	Green (RoHS & no Sb/Br)	CU SN	N / A for Pkg Type		LM317 LZ	<a href="#">Samples</a>
LM317LZ/NOPB	ACTIVE	TO-92	LP	3	1800	Green (RoHS & no Sb/Br)	CU SN	N / A for Pkg Type	-40 to 125	LM317 LZ	<a href="#">Samples</a>

(1) The marketing status values are defined as follows:

**ACTIVE:** Product device recommended for new designs.

**LIFEBUY:** TI has announced that the device will be discontinued, and a lifetime-buy period is in effect.

**NRND:** Not recommended for new designs. Device is in production to support existing customers, but TI does not recommend using this part in a new design.

**PREVIEW:** Device has been announced but is not in production. Samples may or may not be available.

**OBSOLETE:** TI has discontinued the production of the device.

(2) Eco Plan - The planned eco-friendly classification: Pb-Free (RoHS), Pb-Free (RoHS Exempt), or Green (RoHS & no Sb/Br) - please check <http://www.ti.com/productcontent> for the latest availability information and additional product content details.

**TBD:** The Pb-Free/Green conversion plan has not been defined.

**Pb-Free (RoHS):** TI's terms "Lead-Free" or "Pb-Free" mean semiconductor products that are compatible with the current RoHS requirements for all 6 substances, including the requirement that lead not exceed 0.1% by weight in homogeneous materials. Where designed to be soldered at high temperatures, TI Pb-Free products are suitable for use in specified lead-free processes.

**Pb-Free (RoHS Exempt):** This component has a RoHS exemption for either 1) lead-based flip-chip solder bumps used between the die and package, or 2) lead-based die adhesive used between the die and leadframe. The component is otherwise considered Pb-Free (RoHS compatible) as defined above.

**Green (RoHS & no Sb/Br):** TI defines "Green" to mean Pb-Free (RoHS compatible), and free of Bromine (Br) and Antimony (Sb) based flame retardants (Br or Sb do not exceed 0.1% by weight in homogeneous material)

<sup>(3)</sup> MSL, Peak Temp. - The Moisture Sensitivity Level rating according to the JEDEC industry standard classifications, and peak solder temperature.

<sup>(4)</sup> There may be additional marking, which relates to the logo, the lot trace code information, or the environmental category on the device.

<sup>(5)</sup> Multiple Device Markings will be inside parentheses. Only one Device Marking contained in parentheses and separated by a "~" will appear on a device. If a line is indented then it is a continuation of the previous line and the two combined represent the entire Device Marking for that device.

<sup>(6)</sup> Lead/Ball Finish - Orderable Devices may have multiple material finish options. Finish options are separated by a vertical ruled line. Lead/Ball Finish values may wrap to two lines if the finish value exceeds the maximum column width.

**Important Information and Disclaimer:** The information provided on this page represents TI's knowledge and belief as of the date that it is provided. TI bases its knowledge and belief on information provided by third parties, and makes no representation or warranty as to the accuracy of such information. Efforts are underway to better integrate information from third parties. TI has taken and continues to take reasonable steps to provide representative and accurate information but may not have conducted destructive testing or chemical analysis on incoming materials and chemicals. TI and TI suppliers consider certain information to be proprietary, and thus CAS numbers and other limited information may not be available for release.

In no event shall TI's liability arising out of such information exceed the total purchase price of the TI part(s) at issue in this document sold by TI to Customer on an annual basis.

**TAPE AND REEL INFORMATION**

**QUADRANT ASSIGNMENTS FOR PIN 1 ORIENTATION IN TAPE**


\*All dimensions are nominal

Device	Package Type	Package Drawing	Pins	SPQ	Reel Diameter (mm)	Reel Width W1 (mm)	A0 (mm)	B0 (mm)	K0 (mm)	P1 (mm)	W (mm)	Pin1 Quadrant
LM317LITP/NOPB	DSBGA	YPB	6	250	178.0	8.4	1.09	1.75	0.66	4.0	8.0	Q1
LM317LITPX/NOPB	DSBGA	YPB	6	3000	178.0	8.4	1.09	1.75	0.66	4.0	8.0	Q1
LM317LMX	SOIC	D	8	2500	330.0	12.4	6.5	5.4	2.0	8.0	12.0	Q1
LM317LMX/NOPB	SOIC	D	8	2500	330.0	12.4	6.5	5.4	2.0	8.0	12.0	Q1

**TAPE AND REEL BOX DIMENSIONS**


\*All dimensions are nominal

Device	Package Type	Package Drawing	Pins	SPQ	Length (mm)	Width (mm)	Height (mm)
LM317LITP/NOPB	DSBGA	YPB	6	250	210.0	185.0	35.0
LM317LITPX/NOPB	DSBGA	YPB	6	3000	210.0	185.0	35.0
LM317LMX	SOIC	D	8	2500	367.0	367.0	35.0
LM317LMX/NOPB	SOIC	D	8	2500	367.0	367.0	35.0



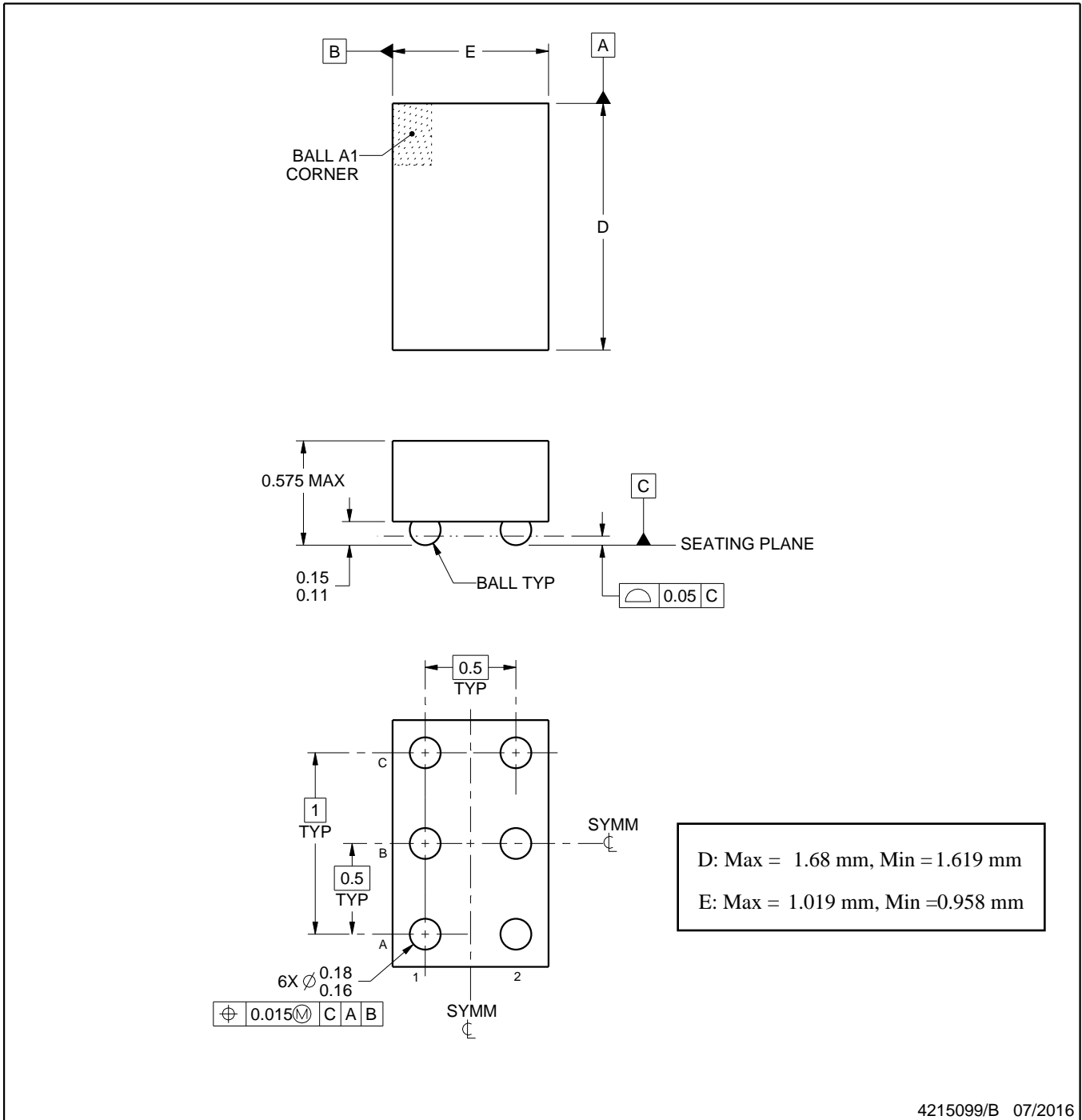
YPB0006



# PACKAGE OUTLINE

DSBGA - 0.575 mm max height

DIE SIZE BALL GRID ARRAY



NOTES:

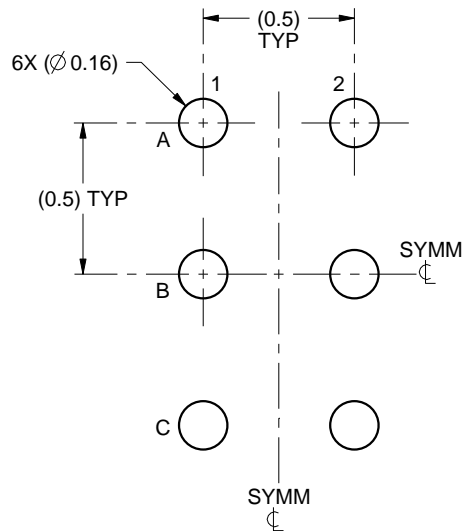
1. All linear dimensions are in millimeters. Any dimensions in parenthesis are for reference only. Dimensioning and tolerancing per ASME Y14.5M.
2. This drawing is subject to change without notice.

# EXAMPLE BOARD LAYOUT

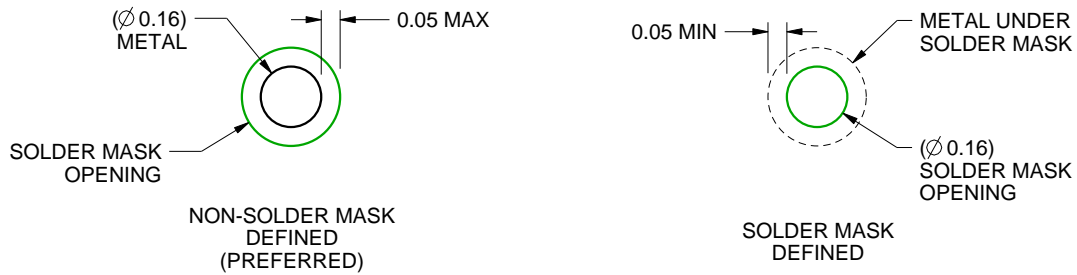
YPB0006

DSBGA - 0.575 mm max height

DIE SIZE BALL GRID ARRAY



LAND PATTERN EXAMPLE  
SCALE:40X



SOLDER MASK DETAILS  
NOT TO SCALE

4215099/B 07/2016

NOTES: (continued)

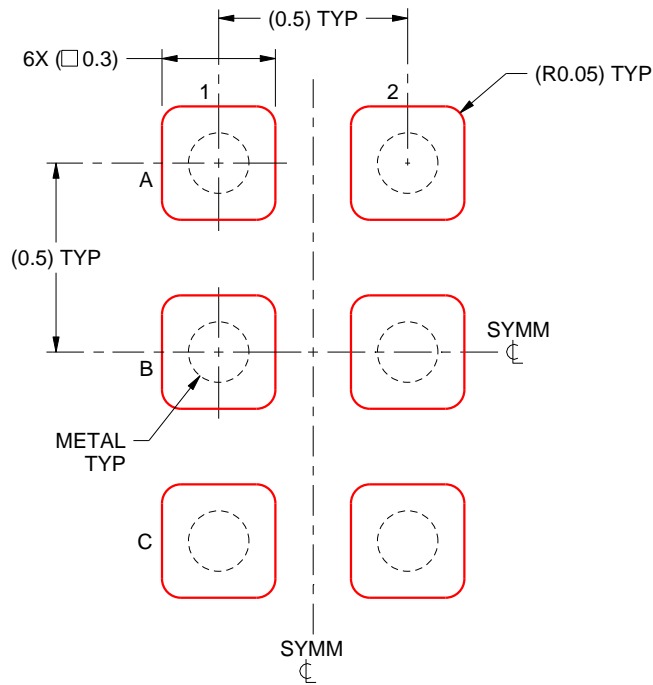
3. Final dimensions may vary due to manufacturing tolerance considerations and also routing constraints. See Texas Instruments Literature No. SNVA009 ([www.ti.com/lit/snva009](http://www.ti.com/lit/snva009)).

# EXAMPLE STENCIL DESIGN

YPB0006

DSBGA - 0.575 mm max height

DIE SIZE BALL GRID ARRAY



SOLDER PASTE EXAMPLE  
BASED ON 0.125mm THICK STENCIL  
SCALE:50X

4215099/B 07/2016

NOTES: (continued)

4. Laser cutting apertures with trapezoidal walls and rounded corners may offer better paste release.

D (R-PDSO-G8)

PLASTIC SMALL OUTLINE



- NOTES:
- All linear dimensions are in inches (millimeters).
  - This drawing is subject to change without notice.
  - Body length does not include mold flash, protrusions, or gate burrs. Mold flash, protrusions, or gate burrs shall not exceed 0.006 (0,15) each side.
  - Body width does not include interlead flash. Interlead flash shall not exceed 0.017 (0,43) each side.
  - Reference JEDEC MS-012 variation AA.

## GENERIC PACKAGE VIEW

LP 3

TO-92 - 5.34 mm max height

TRANSISTOR OUTLINE



Images above are just a representation of the package family, actual package may vary.  
Refer to the product data sheet for package details.

4040001-2/F

LP0003A



PACKAGE OUTLINE

TO-92 - 5.34 mm max height

TO-92



4215214/B 04/2017

NOTES:

1. All linear dimensions are in millimeters. Any dimensions in parenthesis are for reference only. Dimensioning and tolerancing per ASME Y14.5M.
2. This drawing is subject to change without notice.
3. Lead dimensions are not controlled within this area.
4. Reference JEDEC TO-226, variation AA.
5. Shipping method:
  - a. Straight lead option available in bulk pack only.
  - b. Formed lead option available in tape and reel or ammo pack.
  - c. Specific products can be offered in limited combinations of shipping medium and lead options.
  - d. Consult product folder for more information on available options.



LAND PATTERN EXAMPLE  
STRAIGHT LEAD OPTION  
NON-SOLDER MASK DEFINED  
SCALE:15X



LAND PATTERN EXAMPLE  
FORMED LEAD OPTION  
NON-SOLDER MASK DEFINED  
SCALE:15X

# TAPE SPECIFICATIONS

LP0003A

TO-92 - 5.34 mm max height

TO-92



FOR FORMED LEAD OPTION PACKAGE

4215214/B 04/2017



## IMPORTANT NOTICE

Texas Instruments Incorporated (TI) reserves the right to make corrections, enhancements, improvements and other changes to its semiconductor products and services per JESD46, latest issue, and to discontinue any product or service per JESD48, latest issue. Buyers should obtain the latest relevant information before placing orders and should verify that such information is current and complete.

TI's published terms of sale for semiconductor products (<http://www.ti.com/sc/docs/stdterms.htm>) apply to the sale of packaged integrated circuit products that TI has qualified and released to market. Additional terms may apply to the use or sale of other types of TI products and services.

Reproduction of significant portions of TI information in TI data sheets is permissible only if reproduction is without alteration and is accompanied by all associated warranties, conditions, limitations, and notices. TI is not responsible or liable for such reproduced documentation. Information of third parties may be subject to additional restrictions. Resale of TI products or services with statements different from or beyond the parameters stated by TI for that product or service voids all express and any implied warranties for the associated TI product or service and is an unfair and deceptive business practice. TI is not responsible or liable for any such statements.

Buyers and others who are developing systems that incorporate TI products (collectively, "Designers") understand and agree that Designers remain responsible for using their independent analysis, evaluation and judgment in designing their applications and that Designers have full and exclusive responsibility to assure the safety of Designers' applications and compliance of their applications (and of all TI products used in or for Designers' applications) with all applicable regulations, laws and other applicable requirements. Designer represents that, with respect to their applications, Designer has all the necessary expertise to create and implement safeguards that (1) anticipate dangerous consequences of failures, (2) monitor failures and their consequences, and (3) lessen the likelihood of failures that might cause harm and take appropriate actions. Designer agrees that prior to using or distributing any applications that include TI products, Designer will thoroughly test such applications and the functionality of such TI products as used in such applications.

TI's provision of technical, application or other design advice, quality characterization, reliability data or other services or information, including, but not limited to, reference designs and materials relating to evaluation modules, (collectively, "TI Resources") are intended to assist designers who are developing applications that incorporate TI products; by downloading, accessing or using TI Resources in any way, Designer (individually or, if Designer is acting on behalf of a company, Designer's company) agrees to use any particular TI Resource solely for this purpose and subject to the terms of this Notice.

TI's provision of TI Resources does not expand or otherwise alter TI's applicable published warranties or warranty disclaimers for TI products, and no additional obligations or liabilities arise from TI providing such TI Resources. TI reserves the right to make corrections, enhancements, improvements and other changes to its TI Resources. TI has not conducted any testing other than that specifically described in the published documentation for a particular TI Resource.

Designer is authorized to use, copy and modify any individual TI Resource only in connection with the development of applications that include the TI product(s) identified in such TI Resource. NO OTHER LICENSE, EXPRESS OR IMPLIED, BY ESTOPPEL OR OTHERWISE TO ANY OTHER TI INTELLECTUAL PROPERTY RIGHT, AND NO LICENSE TO ANY TECHNOLOGY OR INTELLECTUAL PROPERTY RIGHT OF TI OR ANY THIRD PARTY IS GRANTED HEREIN, including but not limited to any patent right, copyright, mask work right, or other intellectual property right relating to any combination, machine, or process in which TI products or services are used. Information regarding or referencing third-party products or services does not constitute a license to use such products or services, or a warranty or endorsement thereof. Use of TI Resources may require a license from a third party under the patents or other intellectual property of the third party, or a license from TI under the patents or other intellectual property of TI.

TI RESOURCES ARE PROVIDED "AS IS" AND WITH ALL FAULTS. TI DISCLAIMS ALL OTHER WARRANTIES OR REPRESENTATIONS, EXPRESS OR IMPLIED, REGARDING RESOURCES OR USE THEREOF, INCLUDING BUT NOT LIMITED TO ACCURACY OR COMPLETENESS, TITLE, ANY EPIDEMIC FAILURE WARRANTY AND ANY IMPLIED WARRANTIES OF MERCHANTABILITY, FITNESS FOR A PARTICULAR PURPOSE, AND NON-INFRINGEMENT OF ANY THIRD PARTY INTELLECTUAL PROPERTY RIGHTS. TI SHALL NOT BE LIABLE FOR AND SHALL NOT DEFEND OR INDEMNIFY DESIGNER AGAINST ANY CLAIM, INCLUDING BUT NOT LIMITED TO ANY INFRINGEMENT CLAIM THAT RELATES TO OR IS BASED ON ANY COMBINATION OF PRODUCTS EVEN IF DESCRIBED IN TI RESOURCES OR OTHERWISE. IN NO EVENT SHALL TI BE LIABLE FOR ANY ACTUAL, DIRECT, SPECIAL, COLLATERAL, INDIRECT, PUNITIVE, INCIDENTAL, CONSEQUENTIAL OR EXEMPLARY DAMAGES IN CONNECTION WITH OR ARISING OUT OF TI RESOURCES OR USE THEREOF, AND REGARDLESS OF WHETHER TI HAS BEEN ADVISED OF THE POSSIBILITY OF SUCH DAMAGES.

Unless TI has explicitly designated an individual product as meeting the requirements of a particular industry standard (e.g., ISO/TS 16949 and ISO 26262), TI is not responsible for any failure to meet such industry standard requirements.

Where TI specifically promotes products as facilitating functional safety or as compliant with industry functional safety standards, such products are intended to help enable customers to design and create their own applications that meet applicable functional safety standards and requirements. Using products in an application does not by itself establish any safety features in the application. Designers must ensure compliance with safety-related requirements and standards applicable to their applications. Designer may not use any TI products in life-critical medical equipment unless authorized officers of the parties have executed a special contract specifically governing such use. Life-critical medical equipment is medical equipment where failure of such equipment would cause serious bodily injury or death (e.g., life support, pacemakers, defibrillators, heart pumps, neurostimulators, and implantables). Such equipment includes, without limitation, all medical devices identified by the U.S. Food and Drug Administration as Class III devices and equivalent classifications outside the U.S.

TI may expressly designate certain products as completing a particular qualification (e.g., Q100, Military Grade, or Enhanced Product). Designers agree that it has the necessary expertise to select the product with the appropriate qualification designation for their applications and that proper product selection is at Designers' own risk. Designers are solely responsible for compliance with all legal and regulatory requirements in connection with such selection.

Designer will fully indemnify TI and its representatives against any damages, costs, losses, and/or liabilities arising out of Designer's non-compliance with the terms and provisions of this Notice.