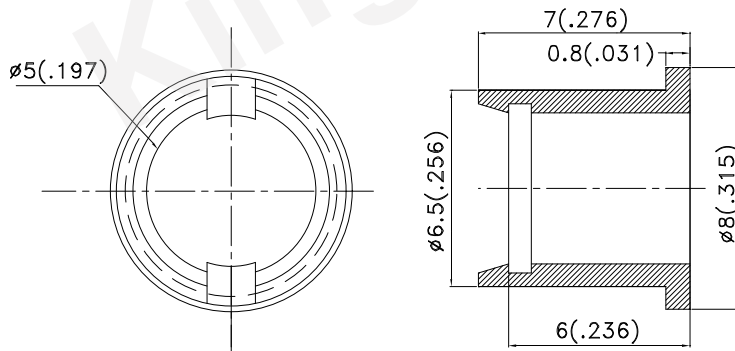


Part Number: RTC-51

Features

- Suitable for back panel illumination, circuit board indicator, led indicator.
- Housing UL rating: 94V-0.
- Housing material: type 66 nylon.
- Recommended hole size: $\Phi 6.5\text{mm}$.
- RoHS compliant.

Package Dimensions



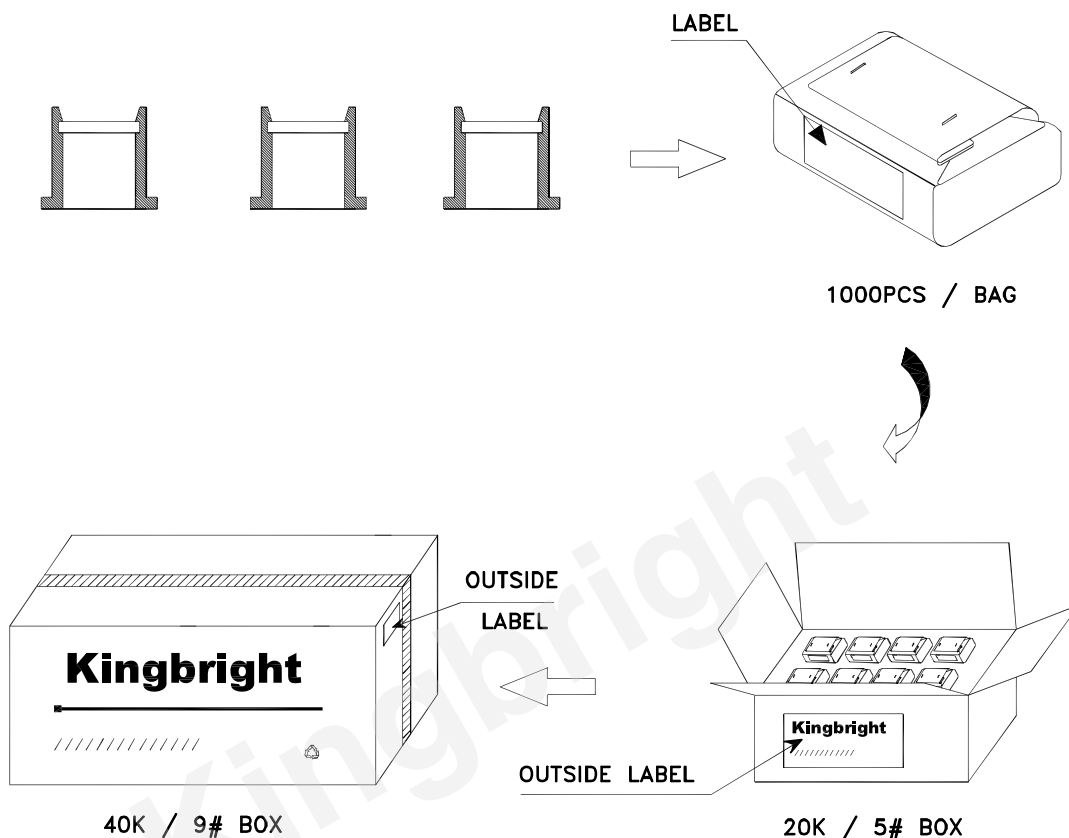
Notes:

1. All dimensions are in millimeters (inches).
2. Tolerance is $\pm 0.25(0.01)$ unless otherwise noted.
3. The specifications, characteristics and technical data described in the datasheet are subject to change without prior notice.



PACKING & LABEL SPECIFICATIONS

RTC-51



Kingbright					
P/NO: RTC-51					
QTY: 1000 pcs	Q.C.	<table border="1"> <tr> <td style="text-align: center;">Q C</td> </tr> <tr> <td style="text-align: center;">XX XX XXXX</td> </tr> <tr> <td style="text-align: center;">PASSED</td> </tr> </table>	Q C	XX XX XXXX	PASSED
Q C					
XX XX XXXX					
PASSED					
S/N: XXXX					
CODE: XXX					
LOT NO:					
RoHS Compliant					