

## L121 TRIAC/SCR Burst Controller

### REFERENCE TABLE

Code	Stock No.
L121	34539A

### DESCRIPTION

The L121 is a silicon monolithic integrated circuit in a 16 lead DIL package. It is intended for use as a burst controller in industrial and consumer applications.

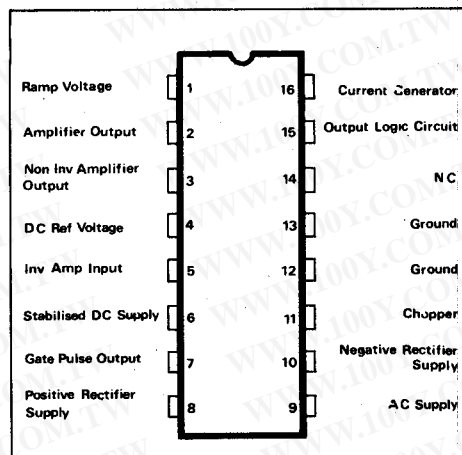
### ABSOLUTE MAXIMUM RATINGS

$I_B$	AC supply current	60mA
$V_{B-12}$	Positive AC clamp voltage	15V
$V_{10-12}$	Negative AC clamp voltage	15V
$V_{1-2}$	Differential input voltage	$\pm 7V$
$V_{3-5}$	Differential input voltage	$\pm 8V$
$P_{tot}$	Total power dissipation at $T_{amb} \leq 70^\circ C$	450mW
$T_{stg}$	Storage temperature	$-55$ to $150^\circ C$
$T_{op}$	Operating temperature	0 to $70^\circ C$

### FEATURES

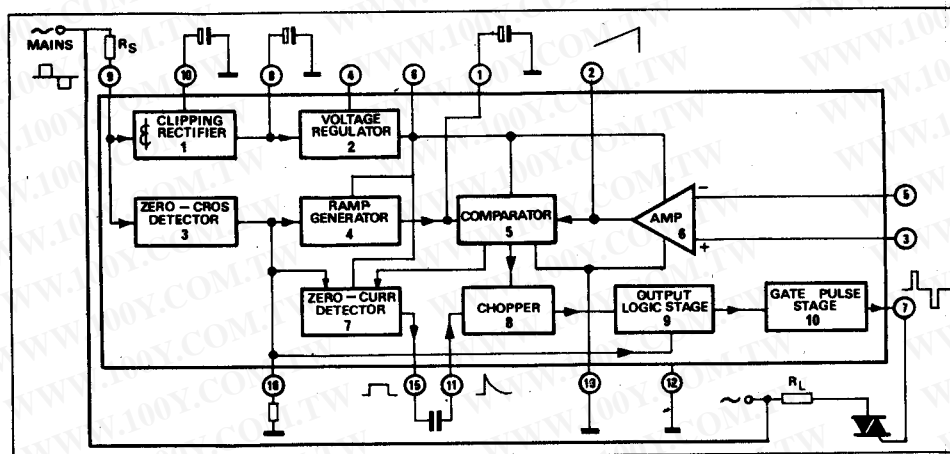
- AC supply 50/60 Hz
- zero-voltage detection
- ramp generation
- inhibition of casual firing pulses
- stabilization of the internal positive DC supply
- high gain operational amplifier
- output short-circuit protection

### CONNECTION DIAGRAM



See outline drawing No. 119 for dimensions

### BLOCK DIAGRAM



MANUFACTURER'S CURRENT LIST PRICES ARE ALWAYS CHARGED