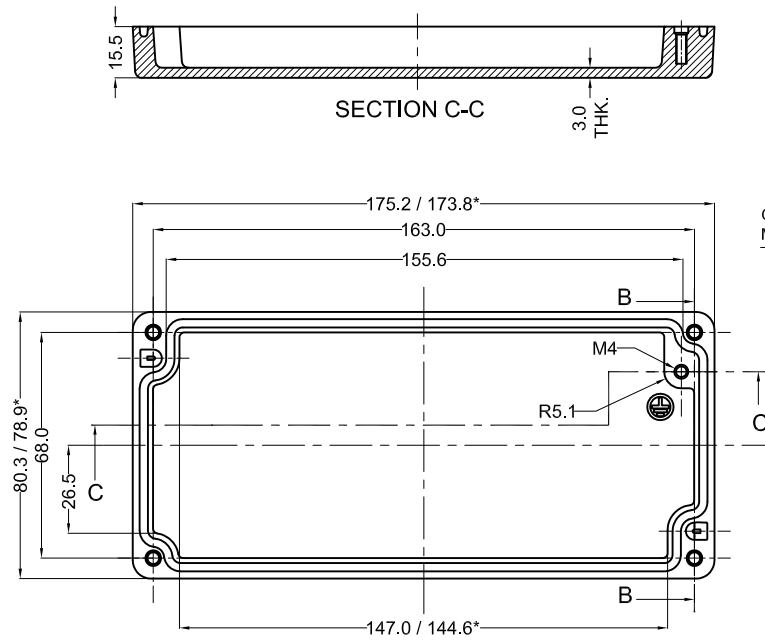
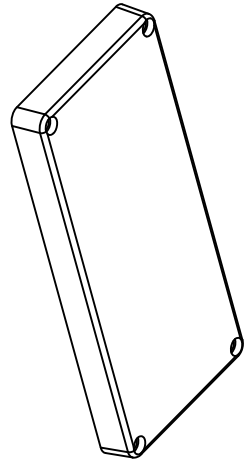
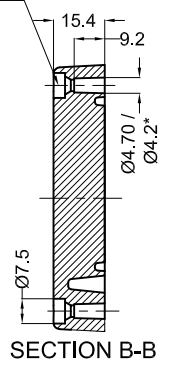


\* = Conical form tapering downward.  
 Untoleranced dimensions per GTA 13/5 DIN 1688

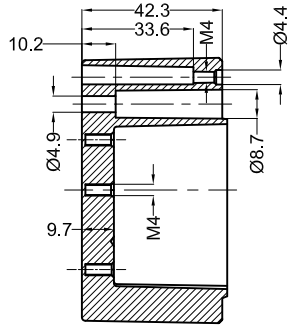
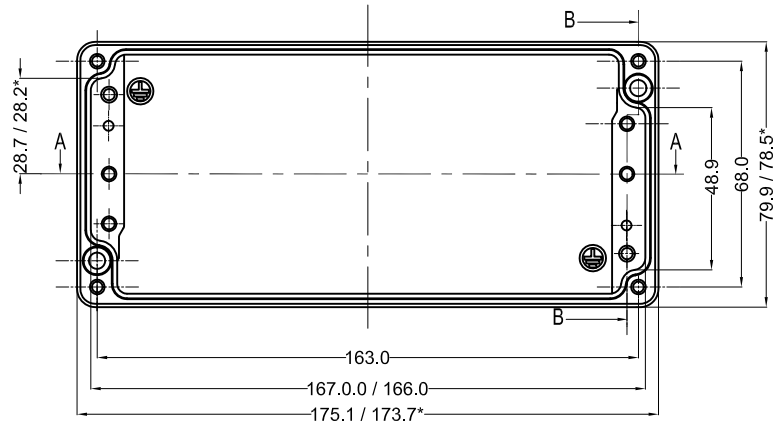
LID



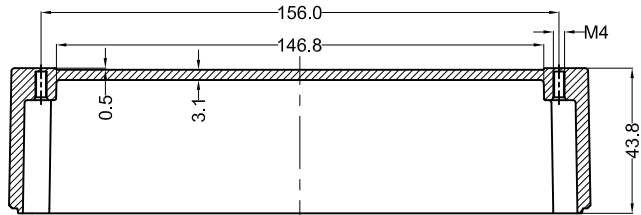
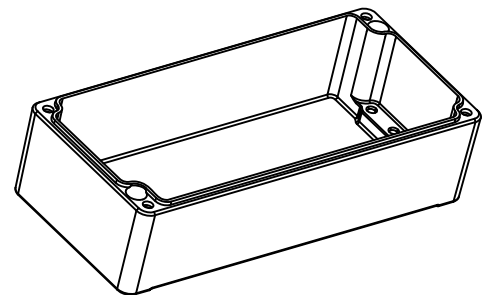
Cylinder Screw  
 M4 x 20/7 similar to DIN 84



BASE



SECTION B-B



SECTION A-A

QUANTITY	MATERIAL :- <b>AlSi12 DIN230</b>	MACH.NAME	DATE	SIGN	NAME	
		-	11/06/12		RRPL DESIGN	
		TITLE :- JUNCTION BOX 175 x 80 x 57	11/06/12		MANOJ DRAWN	
					PAVAN CHECKED	
					S.D. APPROVED	
WEIGHT:	FINISH: NATURAL	SCALE	PARTNO. 0			
±0.2 DIMENSIONS	ALL DIMENSION ARE IN MM	REV	DRG. NO. 0			
±0.2 HOLES		0	AJB-1758057			
±1.0° ANGLES						

PROPERTY OF RaychemRPG (P) LTD.  
 ALL RIGHTS RESERVED AND/OR PHOTOCOPYING THIS DOCUMENT  
 TO A PERSON WITHOUT RaychemRPG (P)LTD. WRITTEN AUTHORIZATION IS PROHIBITED