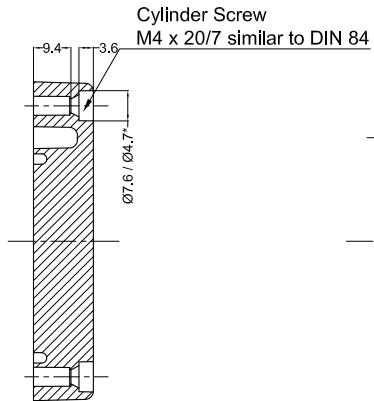
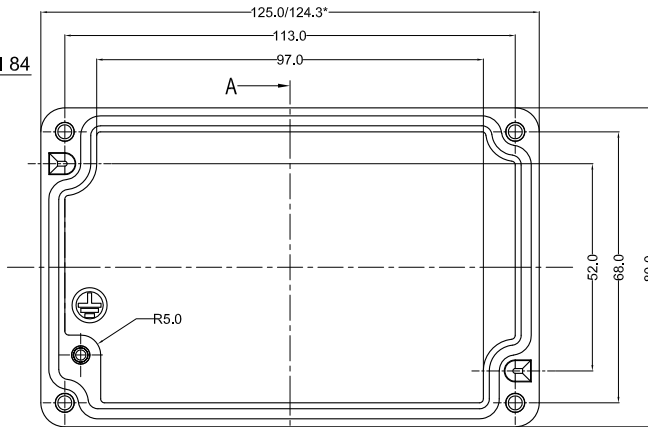


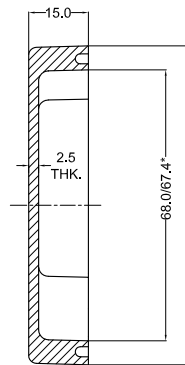
* = Conical form tapering downward.
 Untoleranced dimensions per GTA 13/5 DIN 1688



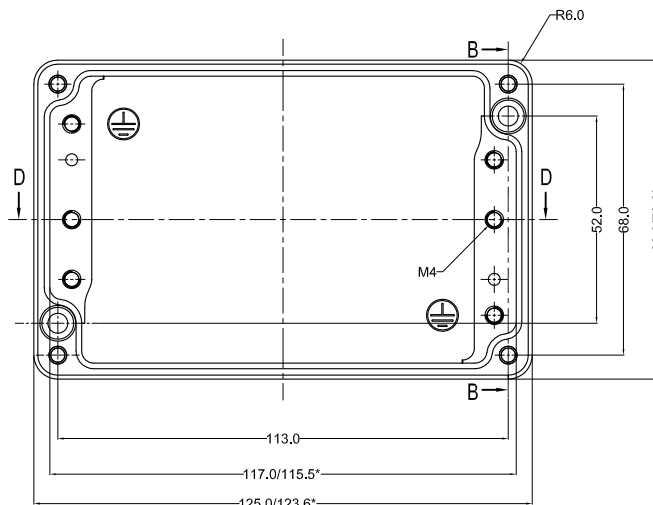
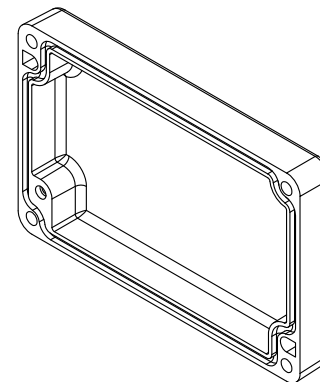
SECTION A-A



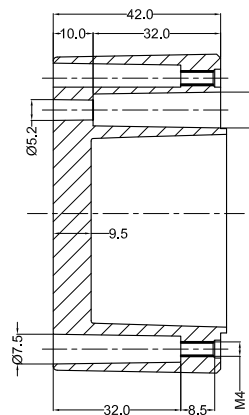
LID



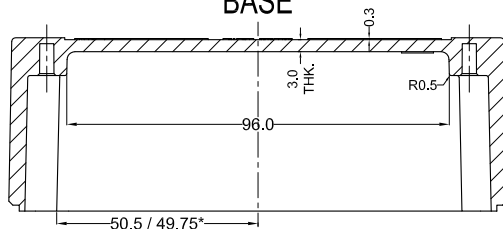
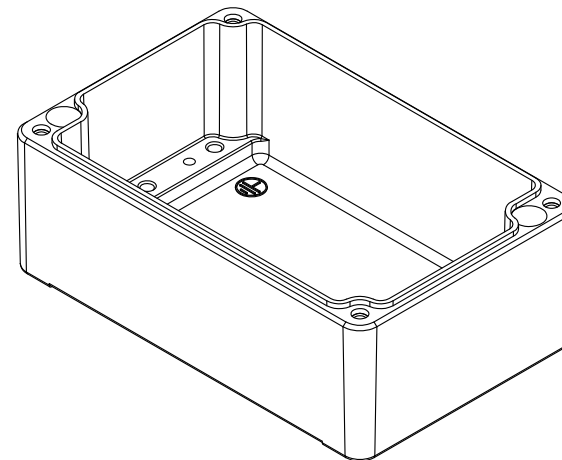
SECTION A-A



BASE



SECTION B-B



SECTION D-D

QUANTITY	MATERIAL :-	MACH.NAME	DATE	SIGN	NAME	
-	Alsi12	-			RRPL	DESIGN
	Din230		30/04/12		MANOJ	DRAWN
		TITLE :-	30/04/12		PAVAN	CHECKED
		JUNCTION BOX			S.D.	APPROVED
		125 x 80 x 57				
	WEIGHT: FINISH:	Raychem RPG (P) Limited	SCALE	PARTNO.	0	
	- NATURAL	Ceat Mahal Annexe,	REV		DRG. NO.	
TOLERANCE		Dr. Annie Besant Road ,	0		AJB-1258057	
±0.2	DIMENSIONS	Worli , Mumbai 400030				
±0.2	HOLES	Web : www.raychemrpg.com				
±1.0°	ANGLES					

PROPERTY OF RaychemRPG (P) LTD.
 ALL RIGHTS RESERVED AND/OR PHOTOCOPYING THIS DOCUMENT
 TO A PERSON WITHOUT RaychemRPG (P) LTD. WRITTEN AUTHORIZATION IS PROHIBITED