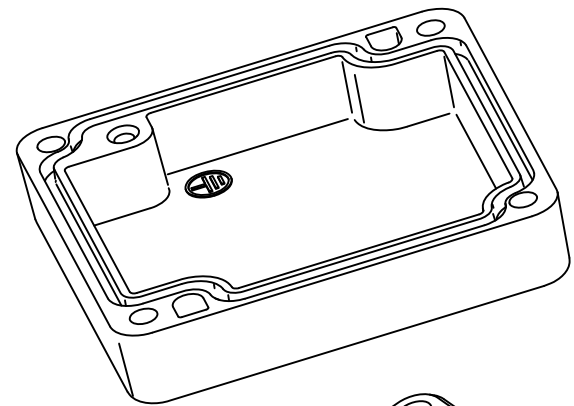
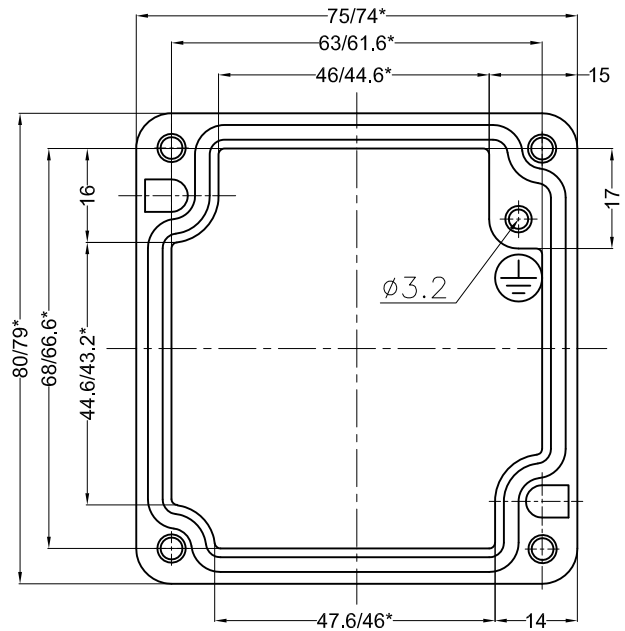
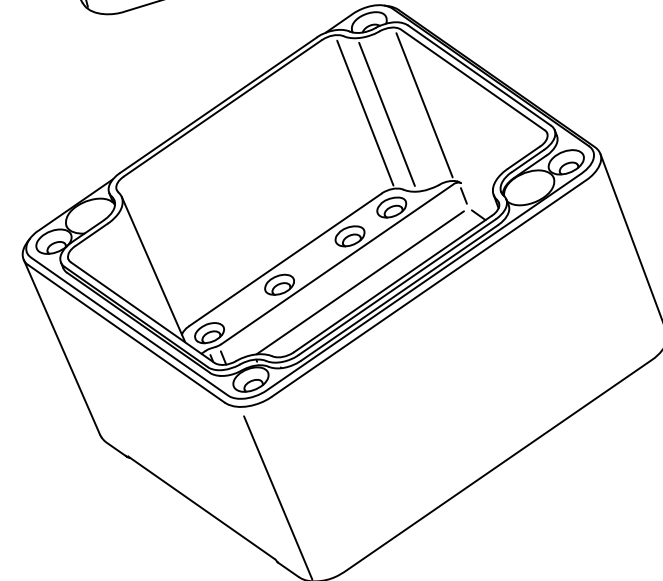
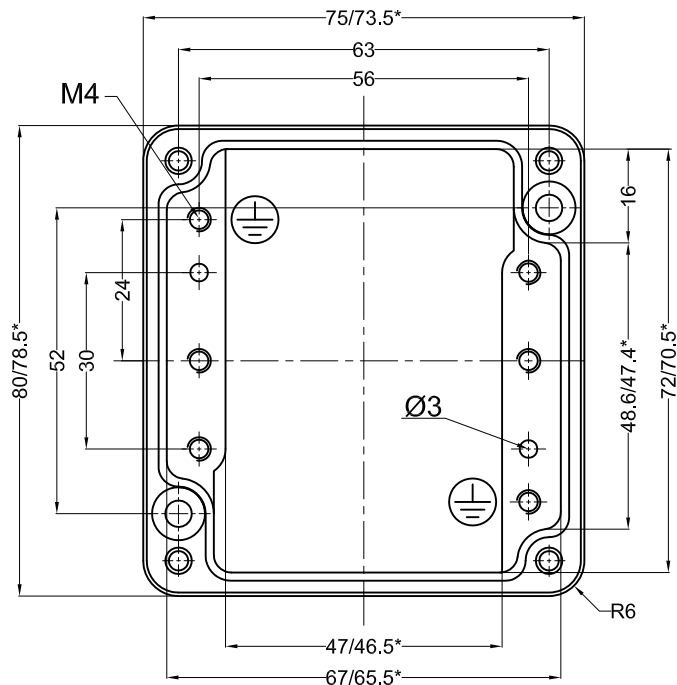


* = Conical form tapering downward.
 Untoleranced dimensions per GTA 13/5 DIN 1688

LID



BASE



- NOTE -
- 1) SHRINKAGE 0.5%
 - 2) THEORITICAL VOLUME -
 - 3) EJECTOR PIN DEPTH 0.1 - 0.5mm
 - 4) NON DIMENSIONAL RADIUS - 0.5mm
 - 5) ALL EDGES ARE BURR FREE
 - 6) FUNCTIONALLY CO-ORDINATED
 - 7) TOLERANCE AS PER DIN 1688 (GTA $\frac{1}{4}$) STD.
 maximum size / minimum size regarding tool deform
 - 8) Draft angle : out side max.2°, inside max.3°
 - 9) =Functions-dimensions to be checked (TOLERANCE $\pm 0.10\text{mm}$)

PROPERTY OF RaychemRPG (P) LTD.
 ALL RIGHTS RESERVED AND/OR PHOTOCOPYING THIS DOCUMENT
 TO A PERSON WITHOUT RaychemRPG (P)LTD. WRITTEN AUTHORIZATION IS PROHIBITED

NO.	REV.NO.	DESCRIPTION	DATE	DRAWN	CHECKED		
QUANTITY	1	MATERIAL :- AlSi12 DIN230	MACH.NAME	DATE	SIGN	NAME	
				09/06/12		RRPL DESIGN	
			TITLE :- JUNCTION BOX 75 x 80 x 57	09/06/12		PAVAN CHECKED	
						S.D. APPROVED	
TOLERANCE		WEIGHT:	FINISH: NATURAL	Raychem RPG (P) Limited		SCALE	PARTNO.
± 0.1	DIMENSIONS			Ceat Mahal Annexe, Dr. Annie Besant Road , Worli , Mumbai 400030 Web : www.raychemrpg.com		REV	DRG. NO.
± 0.1	HOLES	ALL DIMENSION ARE IN MM		0			
$\pm 1.0^\circ$	ANGLES						AJB-758057