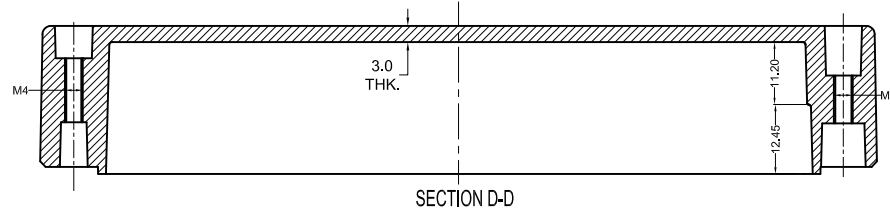
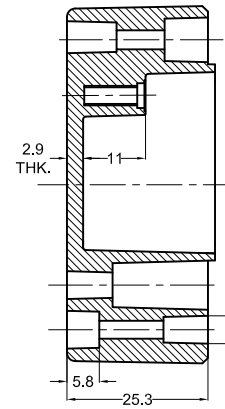
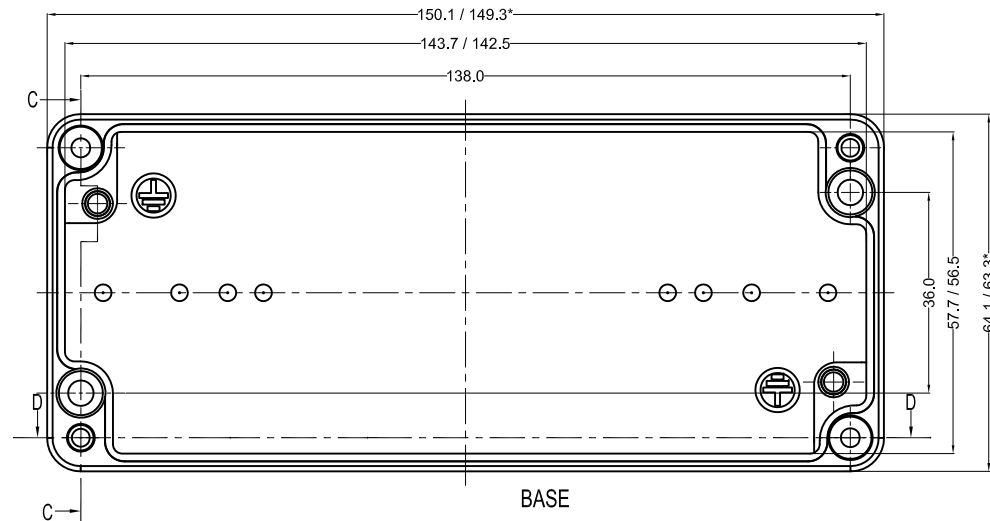
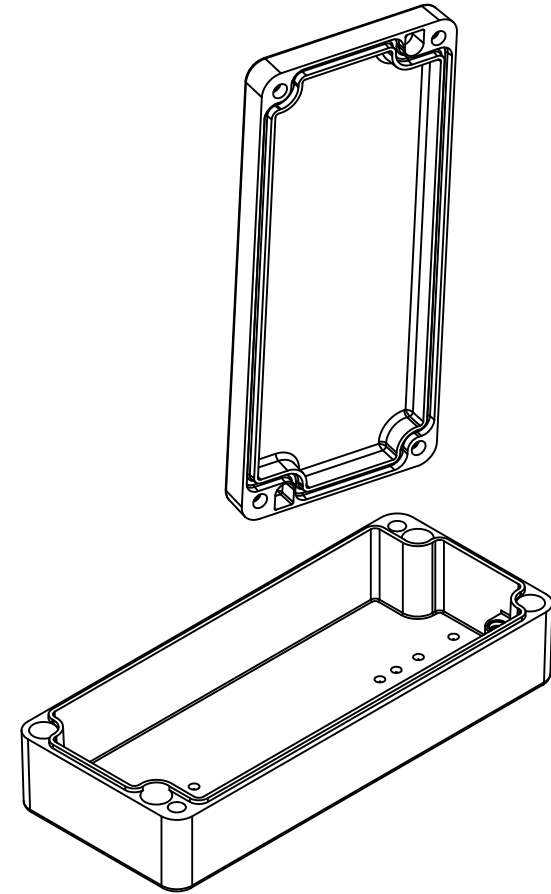
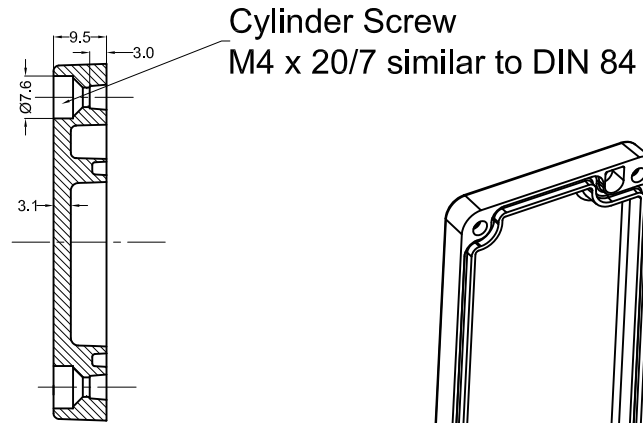
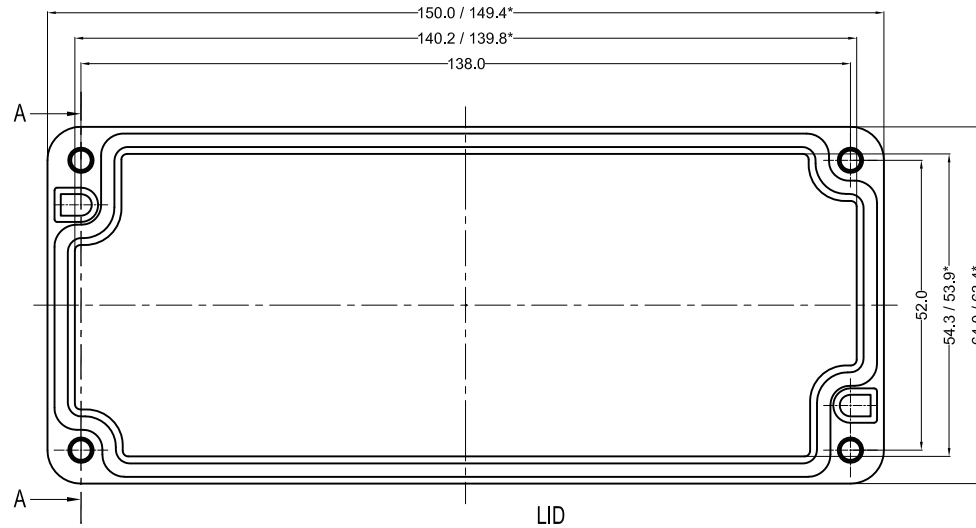


\* = Conical form tapering downward.  
 Untoleranced dimensions per GTA 13/5 - DIN 1688



QUANTITY 1	MATERIAL :- <b>AISI12 DIN230</b>	MACH.NAME -	DATE 08-06-12	SIGN MANOJ	NAME DRAWN
	WEIGHT: - FINISH: NATURAL	TITLE :- JUNCTION BOX 150 x 64 x 34	08-06-12	PAVAN	CHECKED
				S.D.	APPROVED
TOLERANCE ±0.2	DIMENSIONS	<b>Raychem RPG (P) Limited</b> Ceat Mahal Annexe, Dr. Annie Besant Road , Worli , Mumbai 400030 Web : <a href="http://www.raychemrpg.com">www.raychemrpg.com</a>	SCALE	PARTNO. 0	
±0.2	HOLES		REV	DRG. NO.	
±1.0°	ANGLES		0	AJB-1506434	