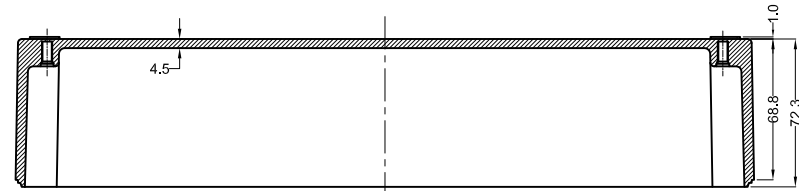
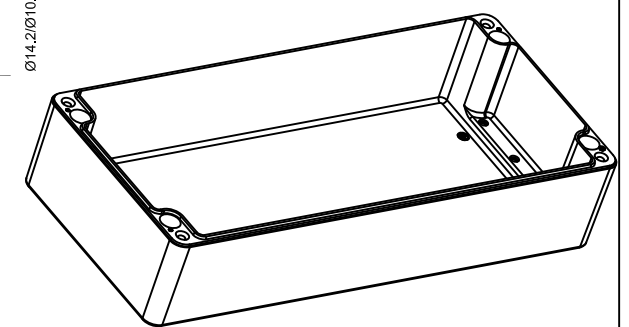
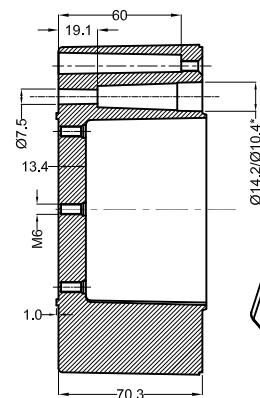
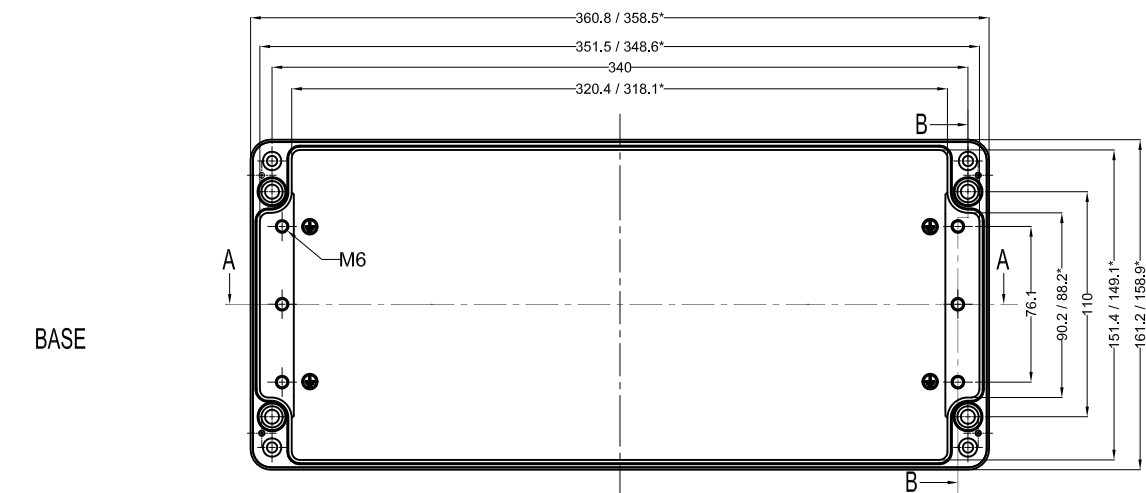
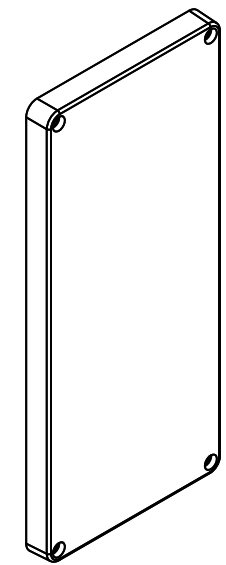
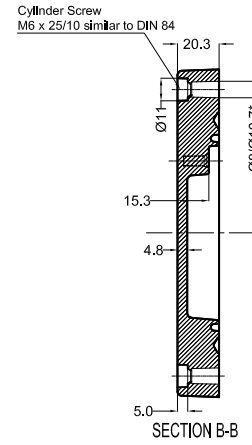
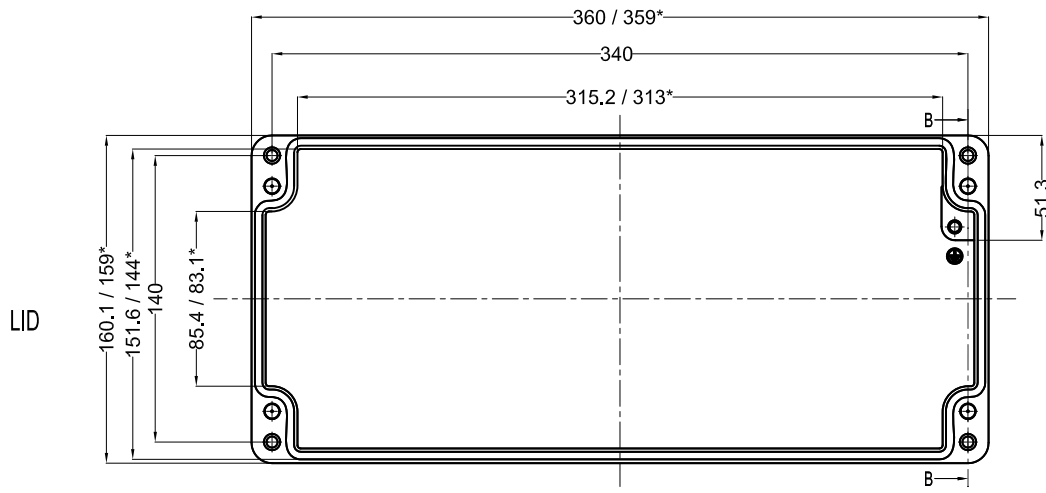


* = Conical form tapering downward.
 Untoleranced dimensions per GTA 13/5 - DIN 1688



SECTION A-A

SECTION B-B

QUANTITY 1	MATERIAL :- ALsi12 (Din230)	MACH.NAME -	DATE 20/06/12	SIGN MANOJ	NAME DRAWN
	WEIGHT: - FINISH: NATURAL	TITLE :- JUNCTION BOX 360 x 160 x 90	20/06/12		CHECKED
					APPROVED
TOLERANCE ±0.2 DIMENSIONS ±0.2 HOLES ±1.0° ANGLES	ALL DIMENSION ARE IN MM	Raychem RPG (P) Limited Ceat Mahal Annexe, Dr. Annie Besant Road , Worli , Mumbai 400030 Web : www.raychemrpg.com	SCALE REV 0	PARTNO. 0	DRG. NO. AJB-36016090