



Micro Commercial Components
 21201 Itasca Street Chatsworth
 CA 91311
 Phone: (818) 701-4933
 Fax: (818) 701-4939

BU608

NPN Silicon Power Transistors

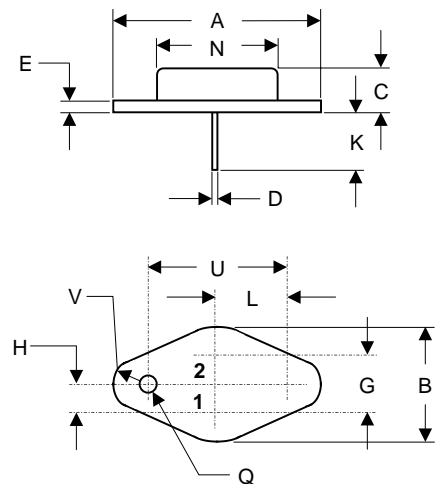
Features

- With TO-3 package
- Horizontal deflection output stages of MTV receiver applications

Maximum Ratings

| Symbol | Rating | Rating | Unit |
|-----------|-----------------------------|-------------|-------------|
| V_{CEO} | Collector-Emitter Voltage | 200 | V |
| V_{CBO} | Collector-Base Voltage | 400 | V |
| V_{EBO} | Emitter to Base Voltage | 6.0 | V |
| I_{CP} | Peak Collector Current | 10 | A |
| I_C | Collector Current | 7.0 | A |
| P_C | Collector power dissipation | 90 | W |
| T_J | Junction Temperature | -55 to +150 | $^{\circ}C$ |
| T_{STG} | Storage Temperature | -55 to +150 | $^{\circ}C$ |

TO-3



PIN 1. BASE
 PIN 2. EMITTER
 CASE. COLLECTOR

Electrical Characteristics @ 25°C Unless Otherwise Specified

| Symbol | Parameter | Min | Max | Units |
|----------------------------|---|-----|-----|-------|
| OFF CHARACTERISTICS | | | | |
| $V_{(BR)CEO}$ | Collector-Emitter Breakdown Voltage ($I_C=1.0mA$, $I_B=0$) | 200 | --- | Vdc |
| I_{CBO} | Collector-Base Cutoff Current ($V_{CB}=400Vdc, V_{BE}=1.5Vdc$) | --- | 5.0 | mAdc |
| I_{EBO} | Emitter-Base Cutoff Current ($V_{EB}=6.0Vdc, I_C=0$) | --- | 1.0 | mAdc |

ON CHARACTERISTICS

| | | | | |
|---------------|--|-----|-----|-----|
| $V_{CE(sat)}$ | Collector-Emitter Saturation Voltage ($I_C=6.0A, I_B=1.2A$) | --- | 1.0 | Vdc |
| $V_{BE(sat)}$ | Base-Emitter Saturation Voltage ($I_C=6.0A, I_B=1.2A$) | --- | 1.5 | Vdc |

DIMENSIONS

| DIM | INCHES | | MM | | NOTE |
|-----|--------|-------|-------|-------|------|
| | MIN | MAX | MIN | MAX | |
| A | 1.550 | REF | 39.37 | REF | |
| B | ---- | 1.050 | ---- | 26.67 | |
| C | .250 | .335 | 6.35 | 8.51 | |
| D | .038 | .043 | 0.97 | 1.09 | |
| E | 0.55 | 0.70 | 1.40 | 1.77 | |
| G | .430 | BSC | 10.92 | BSC | |
| H | .215 | BSC | 5.46 | BSC | |
| K | .440 | .480 | 11.18 | 12.19 | |
| L | .665 | BSC | 16.89 | BSC | |
| N | ---- | .830 | ---- | 21.08 | |
| Q | .151 | .165 | 3.84 | 4.19 | ∅ |
| U | 1.187 | BSC | 30.15 | BSC | |
| V | .131 | .188 | 3.33 | 4.77 | |