

74LVQ245 Low Voltage Octal Bidirectional Transceiver with TRI-STATE® Outputs

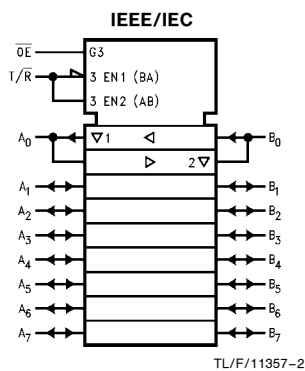
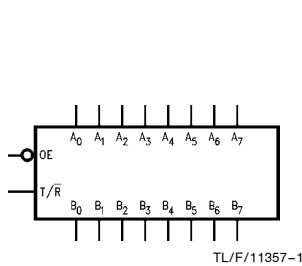
General Description

The LVQ245 contains eight non-inverting bidirectional buffers with TRI-STATE outputs and is intended for bus-oriented applications. Current sinking capability is 12 mA at both the A and B ports. The Transmit/Receive (T/R) input determines the direction of data flow through the bidirectional transceiver. Transmit (active-HIGH) enables data from A ports to B ports; Receive (active-LOW) enables data from B ports to A ports. The Output Enable input, when HIGH, disables both A and B ports by placing them in a HIGH Z condition.

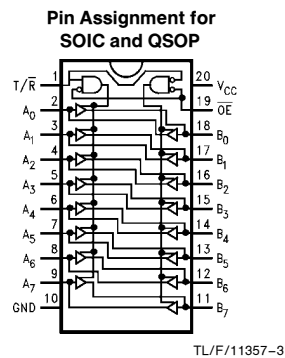
Features

- Ideal for low power/low noise 3.3V applications
- Implements patented Quiet Series EMI reduction circuitry
- Available in SOIC JEDEC, SOIC EIAJ and QSOP packages
- Guaranteed simultaneous switching noise level and dynamic threshold performance
- Improved latch-up immunity
- Guaranteed incident wave switching into 75Ω
- 4 kV minimum ESD immunity
- MIL-STD-883 54 ACQ products are available for Military/Aerospace applications

Logic Symbols



Connection Diagram



Pin Names	Description
\overline{OE}	Output Enable Input
T/R	Transmit/Receive Input
A ₀ -A ₇	Side A Inputs or TRI-STATE Outputs
B ₀ -B ₇	Side B Inputs or TRI-STATE Outputs

Truth Table

Inputs		Outputs
\overline{OE}	T/R	
L	L	Bus B Data to Bus A
L	H	Bus A Data to Bus B
H	X	HIGH-Z State

H = HIGH Voltage Level
L = LOW Voltage Level
X = Immaterial

	SOIC JEDEC	SOIC EIAJ	SSOP JEDEC
Order Number	74LVQ245SC 74LVQ245SCX	74LVQ245SJ 74LVQ245SJX	74LVQ245QSC 74LVQ245QSCX
See NS Package Number	M20B	M20D	MQA20

TRI-STATE® is a registered trademark of National Semiconductor Corporation.

74LVQ245 Low Voltage Octal Bidirectional Transceiver with TRI-STATE Outputs

Absolute Maximum Ratings (Note)

If Military/Aerospace specified devices are required, please contact the National Semiconductor Sales Office/Distributors for availability and specifications.

Supply Voltage (V_{CC})	-0.5V to +7.0V
DC Input Diode Current (I_{IK})	-20 mA
$V_I = -0.5V$	+20 mA
$V_I = V_{CC} + 0.5V$	
DC Input Voltage (V_I)	-0.5V to $V_{CC} + 0.5V$
DC Output Diode Current (I_{OK})	-20 mA
$V_O = -0.5V$	+20 mA
$V_O = V_{CC} + 0.5V$	
DC Output Voltage (V_O)	-0.5V to $V_{CC} + 0.5V$
DC Output Source or Sink Current (I_O)	± 50 mA
DC V_{CC} or Ground Current (I_{CC} or I_{GND})	± 400 mA
Storage Temperature (T_{STG})	-65°C to +150°C
DC Latch-Up Source or Sink Current	± 300 mA

Note: The "Absolute Maximum Ratings" are those values beyond which the safety of the device cannot be guaranteed. The device should not be operated at these limits. The parametric values defined in the "Electrical Characteristics" table are not guaranteed at the absolute maximum ratings. The "Recommended Operating Conditions" table will define the conditions for actual device operation.

Recommended Operating Conditions

Supply Voltage (V_{CC})	2.0V to 3.6V
LVQ	
Input Voltage (V_I)	0V to V_{CC}
Output Voltage (V_O)	0V to V_{CC}
Operating Temperature (T_A)	-40°C to +85°C
74LVQ	
Minimum Input Edge Rate ($\Delta V/\Delta t$)	
V_{IN} from 0.8V to 2.0V	
V_{CC} @ 3.0V	125 mV/ ns

DC Electrical Characteristics

Symbol	Parameter	V_{CC} (V)	74LVQ245		74LVQ245		Units	Conditions
			$T_A = +25^\circ\text{C}$		$T_A = -40^\circ\text{C to } +85^\circ\text{C}$			
			Typ	Guaranteed Limits				
V_{IH}	Minimum High Level Input Voltage	3.0	1.5	2.0	2.0	V	$V_{OUT} = 0.1V$ or $V_{CC} - 0.1V$	
V_{IL}	Maximum Low Level Input Voltage	3.0	1.5	0.8	0.8	V	$V_{OUT} = 0.1V$ or $V_{CC} - 0.1V$	
V_{OH}	Minimum High Level Output Voltage	3.0	2.99	2.9	2.9	V	$I_{OUT} = -50 \mu\text{A}$	
		3.0		2.58	2.48	V	* $V_{IN} = V_{IL}$ or V_{IH} $I_{OH} = -12 \text{ mA}$	
V_{OL}	Maximum Low Level Output Voltage	3.0	0.002	0.1	0.1	V	$I_{OUT} = 50 \mu\text{A}$	
		3.0		0.36	0.44	V	* $V_{IN} = V_{IL}$ or V_{IH} $I_{OL} = +12 \text{ mA}$	
I_{IN}	Maximum Input Leakage Current	3.6		± 0.1	± 1.0	μA	$V_I = V_{CC}, \text{ GND}$	

*All outputs loaded; thresholds on input associated with output under test.

DC Electrical Characteristics (Continued)

Symbol	Parameter	V _{CC} (V)	74LVQ245		74LVQ245		Units	Conditions
			T _A = +25°C		T _A = –40°C to +85°C			
			Typ	Guaranteed Limits				
I _{OLD}	†Minimum Dynamic Output Current	3.6			36		mA	V _{OLD} = 0.8V Max (Note 1)
I _{OHD}		3.6			–25		mA	V _{OHD} = 2.0V Min (Note 1)
I _{CC}	Maximum Quiescent Supply Current	3.6		4.0	40.0		μA	V _{IN} = V _{CC} or GND
I _{OZT}	Maximum I/O Leakage Current	3.6		±0.3	±3.0		μA	V _I (OE) = V _{IL} , V _{IH} V _I = V _{CC} , GND V _O = V _{CC} , GND
V _{OLP}	Quiet Output Maximum Dynamic V _{OL}	3.3	0.5	0.8			V	(Notes 2, 3)
V _{OLV}	Quiet Output Minimum Dynamic V _{OL}	3.3	–0.5	–0.8			V	(Notes 2, 3)
V _{IHD}	Maximum High Level Dynamic Input Voltage	3.3	1.6	2.0			V	(Notes 2, 4)
V _{ILD}	Maximum Low Level Dynamic Input Voltage	3.3	1.7	0.8			V	(Notes 2, 4)

†Maximum test duration 2.0 ms, one output loaded at a time.

Note 1: Incident wave switching on transmission lines with impedances as low as 75Ω for commercial temperature range is guaranteed for 74LVQ.

Note 2: Worst case package.

Note 3: Max number of outputs defined as (n). Data inputs are driven 0V to 3.3V; one output at GND.

Note 4: Max number of Data Inputs (n) switching. (n – 1) inputs switching 0V to 3.3V. Input-under-test switching: 3.3V to threshold (V_{ILD}), 0V to threshold (V_{IHD}), f = 1 MHz.

AC Electrical Characteristics

Symbol	Parameter	V _{CC} (V)	74LVQ245			74LVQ245		Units
			T _A = +25°C C _L = 50 pF			T _A = –40°C to +85°C C _L = 50 pF		
			Min	Typ	Max	Min	Max	
t _{PHL} , t _{PLH}	Propagation Delay	2.7 3.3 ±0.3	2.0 2.0	9.0 7.5	14.0 10.0	2.0 2.0	15.0 10.5	ns
t _{PZL} , t _{PZH}	Output Enable Time	2.7 3.3 ±0.3	3.0 3.0	10.2 8.5	18.3 13.0	3.0 3.0	19.0 13.5	ns
t _{PHZ} , t _{PLZ}	Output Disable Time	2.7 3.3 ±0.3	1.0 1.0	10.2 8.5	20.4 14.5	1.0 1.0	21.0 15.0	ns
t _{OSSL} , t _{OSLH}	Output to Output Skew*	2.7 3.3 ±0.3		1.0 1.0	1.5 1.5		1.5 1.5	ns

*Skew is defined as the absolute value of the difference between the actual propagation delay for any two separate outputs of the same device. The specification applies to any outputs switching in the same direction, either HIGH to LOW (t_{OSSL}) or LOW to HIGH (t_{OSLH}). Parameter guaranteed by design.

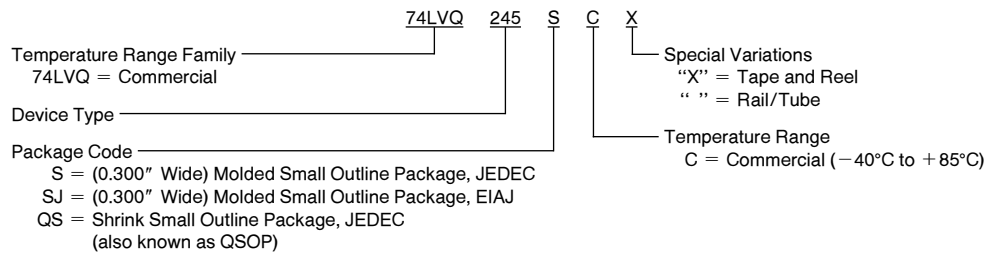
Capacitance

Symbol	Parameter	Typ	Units	Conditions
C _{IN}	Input Capacitance	4.5	pF	V _{CC} = Open
C _{I/O}	Input/Output Capacitance	15	pF	V _{CC} = 3.3V
C _{PD} (Note 1)	Power Dissipation Capacitance	67	pF	V _{CC} = 3.3V

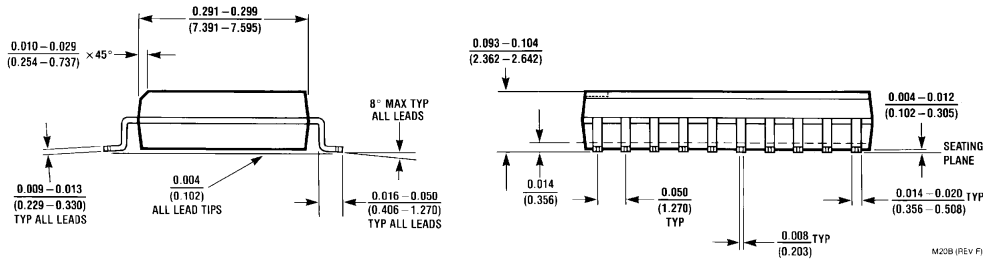
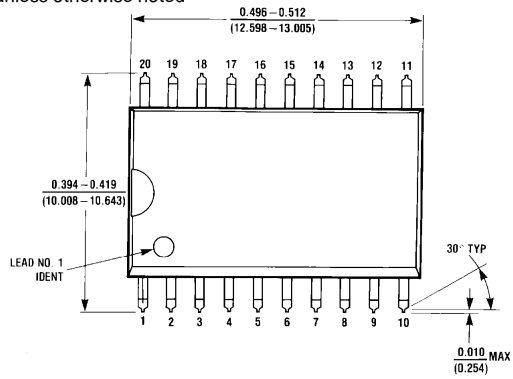
Note 1: C_{PD} is measured at 10 MHz.

74LVQ245 Ordering Information

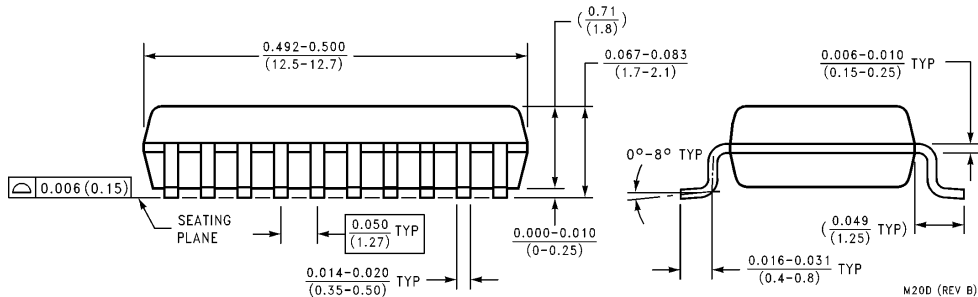
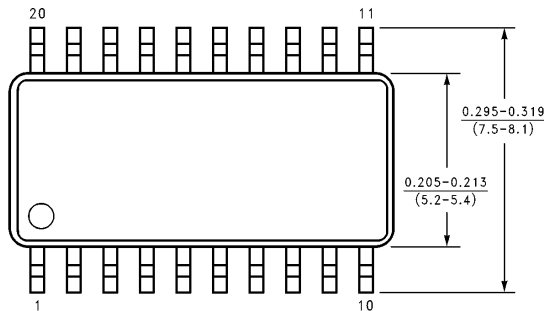
The device number is used to form part of a simplified purchasing code where the package type and temperature range are defined as follows:



Physical Dimensions inches (millimeters) unless otherwise noted

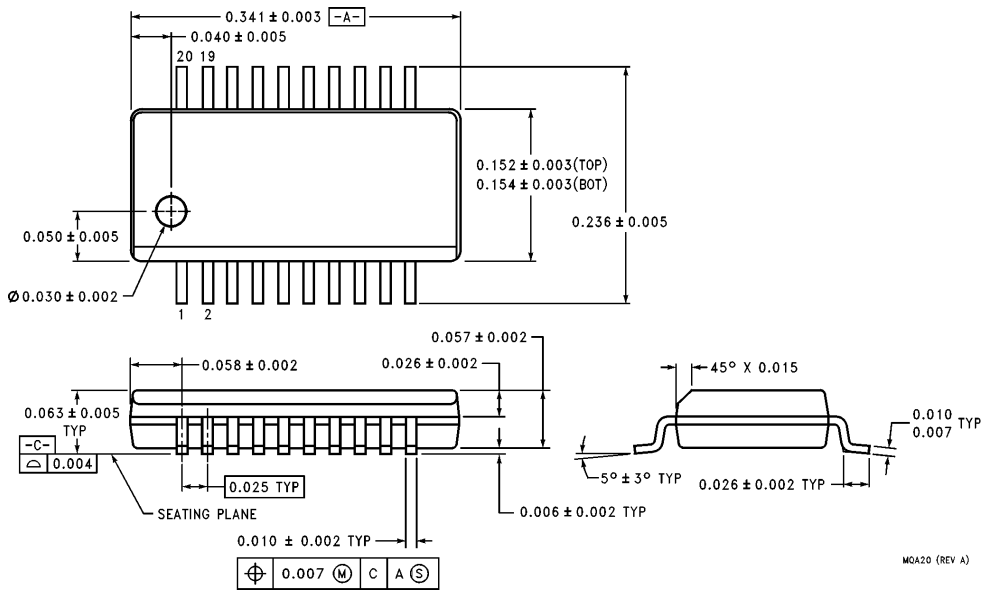


20-Lead Small Outline Integrated Circuit (S)
Order Number 74LVQ245SC or 74LVQ245SCX
NS Package Number M20B



20-Lead Small Outline Integrated Circuit (SJ)
Order Number 74LVQ245SJ or 74LVQ245SJX
NS Package Number M20D

Physical Dimensions inches (Continued)



20-Lead (0.150" Wide) Shrink Small Outline Package, JEDEC
 (also known as QSOP)
Order Number 74LVQ245QSC or 74LVQ245QSCX
NS Package Number MQA20

LIFE SUPPORT POLICY

NATIONAL'S PRODUCTS ARE NOT AUTHORIZED FOR USE AS CRITICAL COMPONENTS IN LIFE SUPPORT DEVICES OR SYSTEMS WITHOUT THE EXPRESS WRITTEN APPROVAL OF THE PRESIDENT OF NATIONAL SEMICONDUCTOR CORPORATION. As used herein:

1. Life support devices or systems are devices or systems which, (a) are intended for surgical implant into the body, or (b) support or sustain life, and whose failure to perform, when properly used in accordance with instructions for use provided in the labeling, can be reasonably expected to result in a significant injury to the user.
2. A critical component is any component of a life support device or system whose failure to perform can be reasonably expected to cause the failure of the life support device or system, or to affect its safety or effectiveness.



National Semiconductor Corporation
Americas
 Tel: 1(800) 272-9959
 Fax: 1(800) 737-7018
 Email: support@nsc.com

National Semiconductor Europe
 Fax: +49 (0) 180-530 85 86
 Email: europe.support@nsc.com
 Deutsch Tel: +49 (0) 180-530 85 85
 English Tel: +49 (0) 180-532 78 32
 Français Tel: +49 (0) 180-532 93 58
 Italiano Tel: +49 (0) 180-534 16 80

National Semiconductor Southeast Asia
 Fax: (852) 2376 3901
 Email: sea.support@nsc.com

National Semiconductor Japan Ltd.
 Tel: 81-3-5620-7561
 Fax: 81-3-5620-6179

<http://www.national.com>

National does not assume any responsibility for use of any circuitry described, no circuit patent licenses are implied and National reserves the right at any time without notice to change said circuitry and specifications.