

SN54LS638, SN54LS639, SN74LS638, SN74LS639 OCTAL BUS TRANSCEIVERS

SDLS188 – JANUARY 1981 – REVISED MARCH 1988

- Bidirectional Bus Transceivers in High-Density 20-Pin Packages
- Hysteresis at Bus Inputs Improves Noise Margins
- Choice of True or Inverting Logic
- A Bus Outputs are Open-Collector, B Bus Outputs are 3-State

description

These octal bus transceivers are designed for asynchronous two-way communication between open-collector and 3-state buses. The devices transmit data from the A bus (open-collector) to the B bus (3-state) or from the B bus to the A bus depending upon the level at the direction control (DIR) input. The enable input (\bar{G}) can be used to disable the device so the buses are isolated.

FUNCTION TABLE

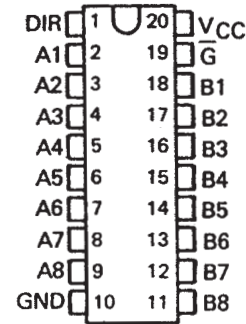
CONTROL INPUTS		OPERATION	
\bar{G}	DIR	'LS638	'LS639
L	L	\bar{B} data to A bus	B data to A bus
L	H	\bar{A} data to B bus	A data to B bus
H	X	Isolation	Isolation

H = high level, L = low level, X = irrelevant

DEVICE	A OUTPUT	B OUTPUT	LOGIC
'LS638	Open-Collector	3-State	Inverting
'LS639	Open-Collector	3-State	True

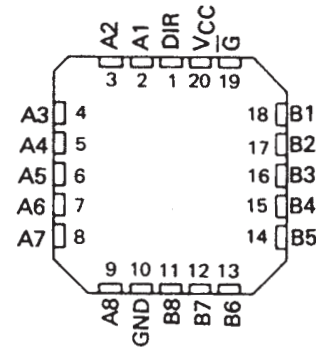
SN54LS638, SN54LS639 . . . J PACKAGE
SN74LS638, SN74LS639 . . . DW OR N PACKAGE

(TOP VIEW)

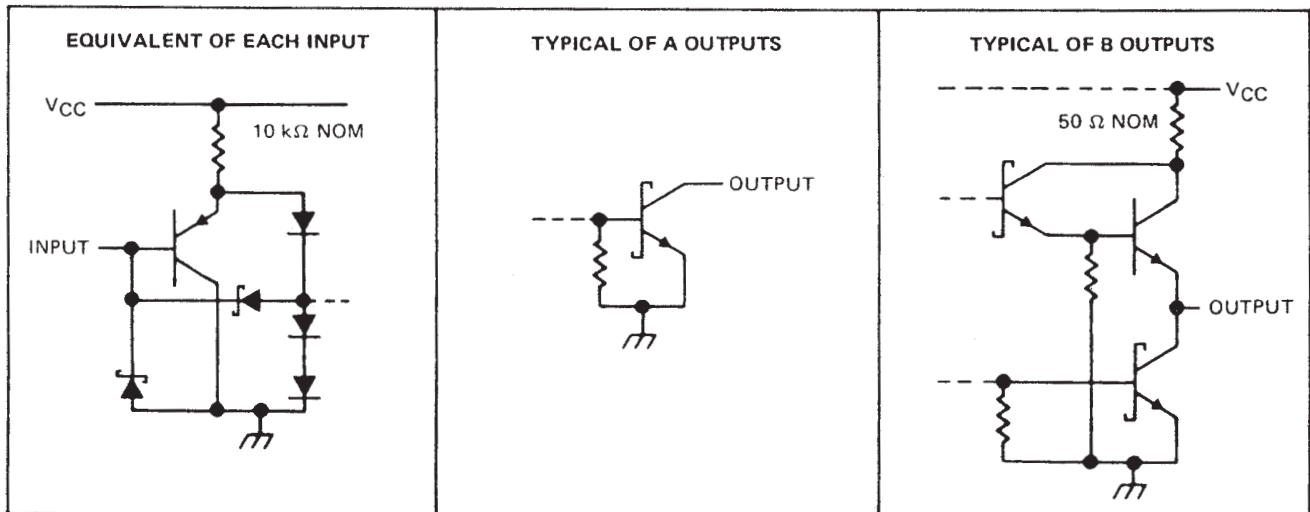


SN54LS638, SN54LS639 . . . FK PACKAGE

(TOP VIEW)



schematics of inputs and outputs



PRODUCTION DATA information is current as of publication date. Products conform to specifications per the terms of Texas Instruments standard warranty. Production processing does not necessarily include testing of all parameters.

TEXAS
INSTRUMENTS

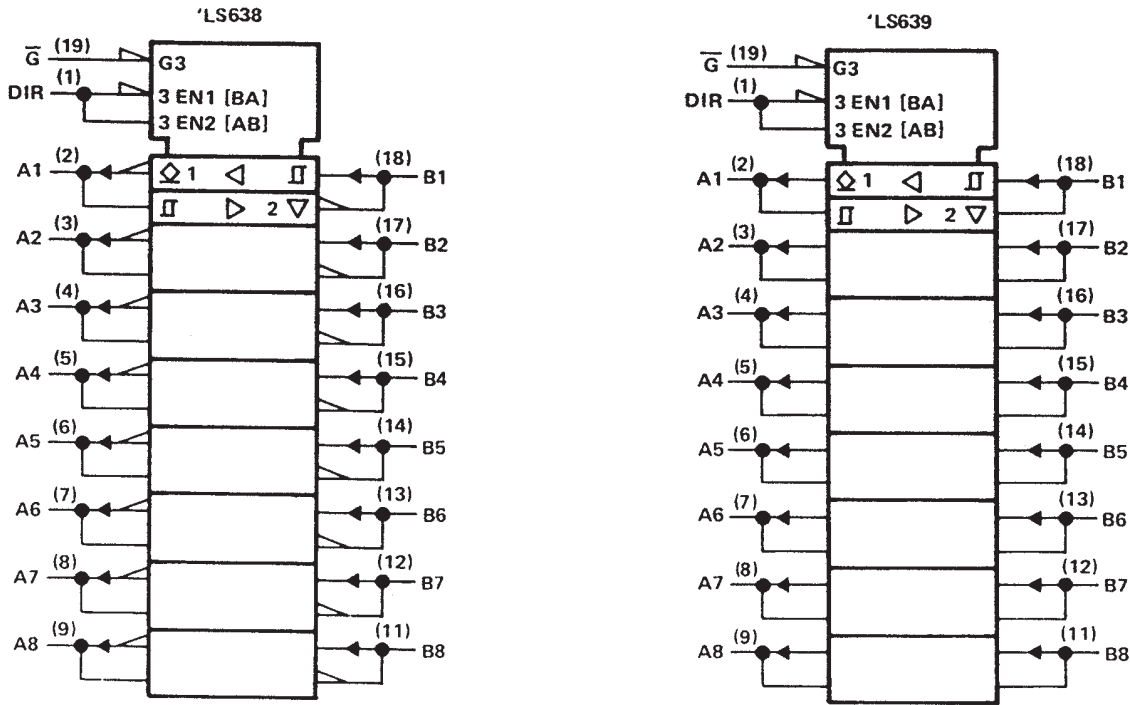
POST OFFICE BOX 655303 • DALLAS, TEXAS 75265

Copyright © 1988, Texas Instruments Incorporated

SN54LS638, SN54LS639, SN74LS638, SN74LS639 OCTAL BUS TRANSCEIVERS

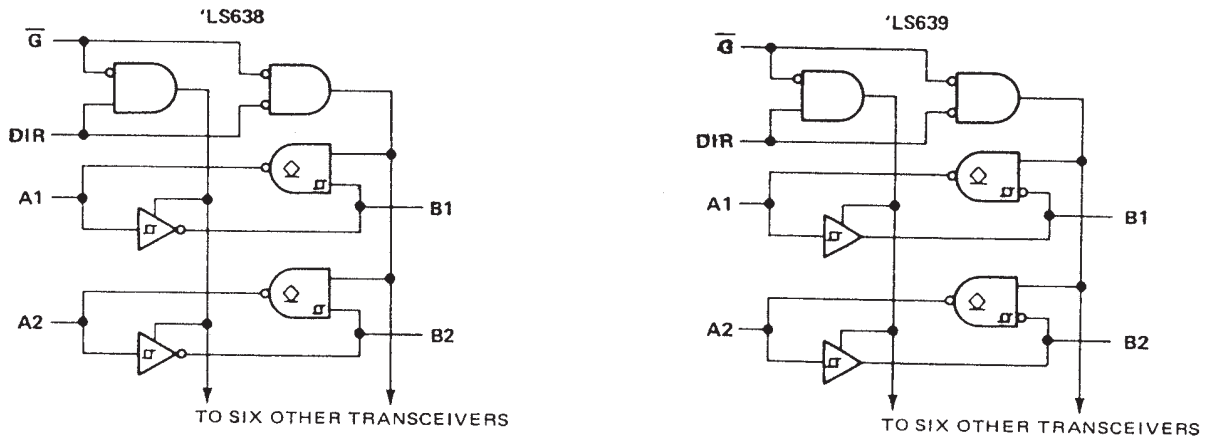
SDLS188 – JANUARY 1981 – REVISED MARCH 1988

logic symbols†



† These symbols are in accordance with ANSI/IEEE Std 91-1984 and IEC Publication 617-12.
Pin numbers shown are for DW, J, and N packages.

logic diagrams (positive logic)



absolute maximum ratings over operating free-air temperature range (unless otherwise noted)

Supply voltage, V_{CC} (see Note 1)	7 V
Input voltage (DIR or \bar{G})	7 V
Off-state output voltage (A or B)	5.5 V
Operating free-air temperature range: SN54LS638, SN54LS639	-55°C to 125°C
SN74LS638, SN74LS639	0°C to 70°C
Storage temperature range	-65°C to 150°C

NOTE 1: Voltage values are with respect to the network ground terminal.



POST OFFICE BOX 655303 • DALLAS, TEXAS 75265

SN54LS638, SN54LS639, SN74LS638, SN74LS639 OCTAL BUS TRANSCEIVERS

SDLS188 – JANUARY 1981 – REVISED MARCH 1988

recommended operating conditions

	SN54LS'			SN74LS'			UNIT
	MIN	NOM	MAX	MIN	NOM	MAX	
Supply voltage, V_{CC}	4.5	5	5.5	4.75	5	5.25	V
High-level output voltage, V_{OH} (A bus)			5.5			5.5	V
High-level output current, I_{OH} (B bus)			-12			-15	mA
Low-level output current, I_{OL} (A or B bus)			12			24	mA
Operating free-air temperature, T_A	-55		125	0		70	°C

electrical characteristics over recommended operating free-air temperature range (unless otherwise noted)

PARAMETER	TEST CONDITIONS†	SN54LS'			SN74LS'			UNIT
		MIN	TYP‡	MAX	MIN	TYP‡	MAX	
V_{IH} High-level input voltage		2			2			V
V_{IL} Low-level input voltage				0.5			0.6	V
V_{IK} Input clamp voltage	$V_{CC} = \text{MIN}, I_I = -18 \text{ mA}$			-1.5			-1.5	V
Hysteresis ($V_{T+} - V_{T-}$)	$V_{CC} = \text{MIN}$	0.1	0.4		0.2	0.4		V
I_{OH} High-level output current	A $V_{CC} = \text{MIN}, V_{IH} = 2 \text{ V}, V_{IL} = \text{MAX}, V_{OH} = 5.5 \text{ V}$			0.1			0.1	mA
V_{OH} High-level output voltage	B $V_{CC} = \text{MIN}, V_{IH} = 2 \text{ V}, V_{IL} = \text{MAX}$	$I_{OH} = -3 \text{ mA}$	2.4		2.4			V
		$I_{OH} = \text{MAX}$	2		2			
V_{OL} Low-level output voltage	A or B $V_{CC} = \text{MIN}, V_{IH} = 2 \text{ V}, V_{IL} = \text{MAX}$	$I_{OL} = 12 \text{ mA}$	0.25	0.4	0.25	0.4		V
		$I_{OL} = 24 \text{ mA}$			0.35	0.5		
I_{OZH} Off-state output current, high-level voltage applied	B $V_{CC} = \text{MAX}, \bar{G}$ at 2 V, $V_O = 2.7 \text{ V}$			20			20	μA
I_{OZL} Off-state output current low-level voltage applied	A or B $V_{CC} = \text{MAX}, \bar{G}$ at 2 V, $V_O = 0.4 \text{ V}$			-0.4			-0.4	mA
I_I Input current at maximum input voltage	A or B DIR or \bar{G} $V_{CC} = \text{MAX}$	$V_I = 5.5 \text{ V}$		0.1			0.1	mA
		$V_I = 7 \text{ V}$		0.1			0.1	
I_{IH} High-level input current	$V_{CC} = \text{MAX}, V_I = 2.7 \text{ V}$			20			20	μA
I_{IL} Low-level input current	$V_{CC} = \text{MAX}, V_I = 0.4 \text{ V}$			-0.4			-0.4	mA
I_{OS} Short-circuit output current§	B $V_{CC} = \text{MAX}$	-40		-225	-40		-225	mA
I_{CCH} Supply current, outputs high	$V_{CC} = \text{MAX}, \text{Outputs open}$		48	70		48	70	mA
I_{CCL} Supply current, outputs low	$V_{CC} = \text{MAX}, \text{Outputs open}$		62	90		62	90	mA
I_{CCZ} Supply current, outputs off	$V_{CC} = \text{MAX}, \text{Outputs open}$		64	95		64	95	mA

† For conditions shown as MIN or MAX, use the appropriate value specified under recommended operating conditions.

‡ All typical values are at $V_{CC} = 5 \text{ V}, T_A = 25^\circ \text{C}$.

§ Not more than one output should be shorted at a time, and duration of the short circuit should not exceed one second.

switching characteristics, $V_{CC} = 5 \text{ V}, T_A = 25^\circ \text{C}$, see note 2

PARAMETER	FROM (INPUT)	TO (OUTPUT)	TEST CONDITIONS	'LS638			'LS639			UNIT
				MIN	TYP	MAX	MIN	TYP	MAX	
t_{PLH}	A	B	$C_L = 45 \text{ pF}, R_L = 667 \Omega$	6	10		8	15	ns	
	B	A		17	25		19	25		
t_{PHL}	A	B		8	15		11	15	ns	
	B	A		14	25		16	25		
t_{PLH}	\bar{G}	A		26	40		23	40	ns	
t_{PHL}	\bar{G}	A		43	60		34	50	ns	
t_{PZH}	\bar{G}	B		23	40		26	40	ns	
t_{PZL}	\bar{G}	B		31	40		31	40	ns	
t_{PHZ}	\bar{G}	B	15	25		15	25	ns		
t_{PLZ}	\bar{G}	B	15	25		15	25	ns		

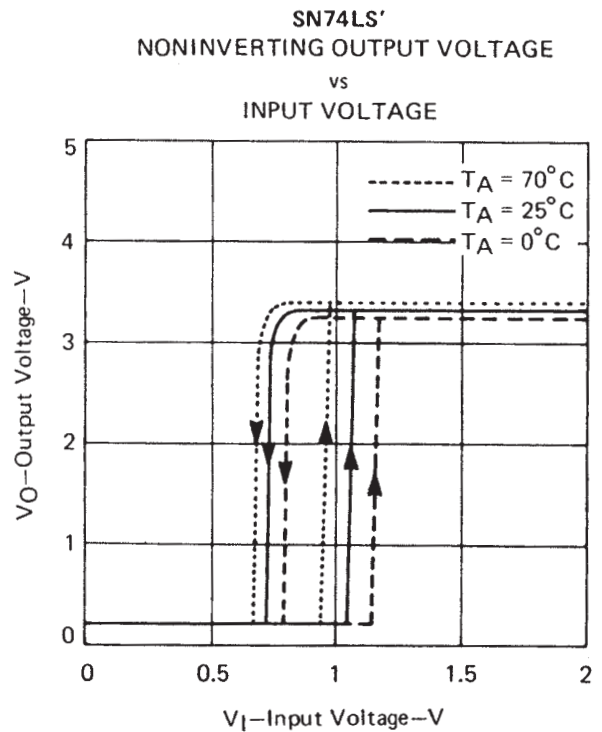
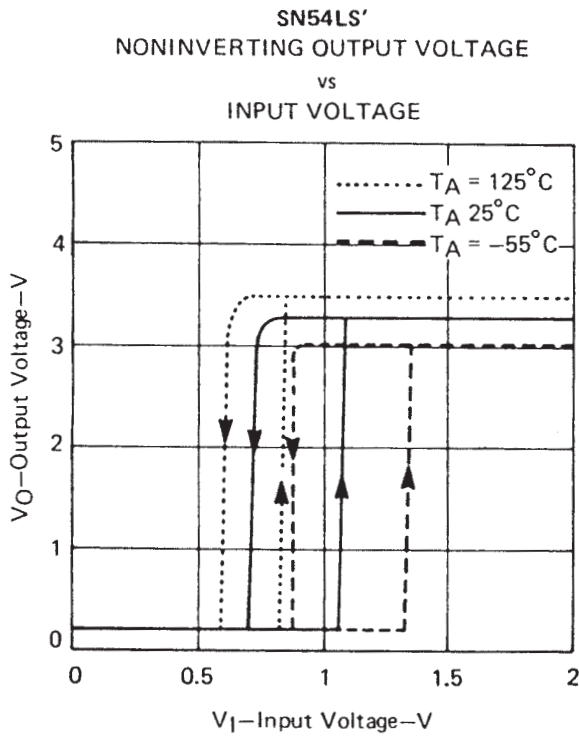
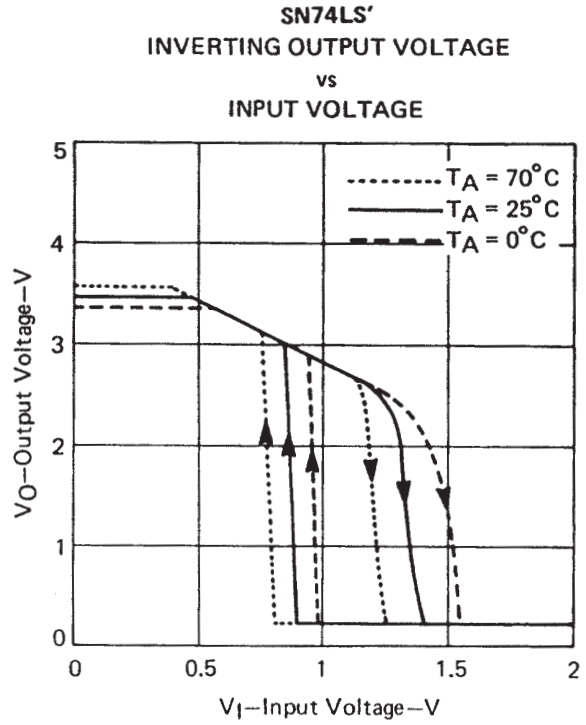
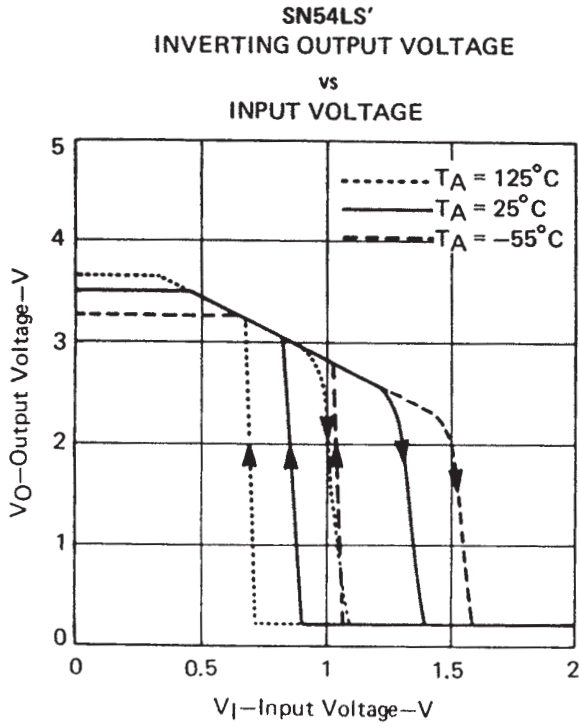
NOTE 2: Load circuits and voltage waveforms are shown in Section 1.



SN54LS638, SN54LS639, SN74LS638, SN74LS639 OCTAL BUS TRANSCEIVERS

SDLS188 – JANUARY 1981 – REVISED MARCH 1988

TYPICAL CHARACTERISTICS



IMPORTANT NOTICE

Texas Instruments and its subsidiaries (TI) reserve the right to make changes to their products or to discontinue any product or service without notice, and advise customers to obtain the latest version of relevant information to verify, before placing orders, that information being relied on is current and complete. All products are sold subject to the terms and conditions of sale supplied at the time of order acknowledgement, including those pertaining to warranty, patent infringement, and limitation of liability.

TI warrants performance of its semiconductor products to the specifications applicable at the time of sale in accordance with TI's standard warranty. Testing and other quality control techniques are utilized to the extent TI deems necessary to support this warranty. Specific testing of all parameters of each device is not necessarily performed, except those mandated by government requirements.

CERTAIN APPLICATIONS USING SEMICONDUCTOR PRODUCTS MAY INVOLVE POTENTIAL RISKS OF DEATH, PERSONAL INJURY, OR SEVERE PROPERTY OR ENVIRONMENTAL DAMAGE ("CRITICAL APPLICATIONS"). TI SEMICONDUCTOR PRODUCTS ARE NOT DESIGNED, AUTHORIZED, OR WARRANTED TO BE SUITABLE FOR USE IN LIFE-SUPPORT DEVICES OR SYSTEMS OR OTHER CRITICAL APPLICATIONS. INCLUSION OF TI PRODUCTS IN SUCH APPLICATIONS IS UNDERSTOOD TO BE FULLY AT THE CUSTOMER'S RISK.

In order to minimize risks associated with the customer's applications, adequate design and operating safeguards must be provided by the customer to minimize inherent or procedural hazards.

TI assumes no liability for applications assistance or customer product design. TI does not warrant or represent that any license, either express or implied, is granted under any patent right, copyright, mask work right, or other intellectual property right of TI covering or relating to any combination, machine, or process in which such semiconductor products or services might be or are used. TI's publication of information regarding any third party's products or services does not constitute TI's approval, warranty or endorsement thereof.