

# SN54LS399, SN74LS399 QUADRUPLE 2-INPUT MULTIPLEXERS WITH STORAGE

SDLS174 – OCTOBER 1976 – REVISED MARCH 1988

- Single-Rail Outputs on 'LS399
- Selects One of Two 4-Bit Data Sources and Stores Data Synchronously with System Clock

● Applications:

Dual Source for Operands and Constants in Arithmetic Processor; Can Release Processor Register Files for Acquiring New Data

Implement Separate Registers Capable of Parallel Exchange of Contents Yet Retain External Load Capability

Universal Type Register for Implementing Various Shift Patterns: Even Has Compound Left-Right Capabilities

description

This monolithic quadruple two-input multiplexer with storage provides essentially the equivalent functional capabilities of two separate MSI functions (SN54LS157/SN74LS157 and SN54LS175/SN74LS175) in a single 16-pin package.

When the word-select input is low, word 1 (A1, B1, C1, D1) is applied to the flip-flops. A high input to word select will cause the selection of word 2 (A2, B2, C2, D2). The selected word is clocked to the output terminals on the positive-going edge of the clock pulse.

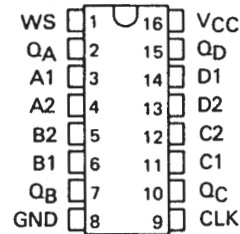
Typical power dissipation is 37 milliwatts. The SN54LS399 is characterized for operation over the full military range of -55°C to 125°C. The SN74LS399 is characterized for operation from 0°C to 70°C.

FUNCTION TABLE

INPUTS		OUTPUTS			
WORD SELECT	CLOCK	Q <sub>A</sub>	Q <sub>B</sub>	Q <sub>C</sub>	Q <sub>D</sub>
L	↑	a1	b1	c1	d1
H	↑	a2	b2	c2	d2
X	L	Q <sub>A0</sub>	Q <sub>B0</sub>	Q <sub>C0</sub>	Q <sub>D0</sub>

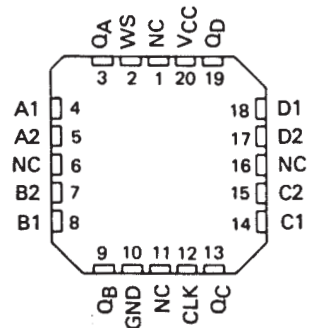
SN54LS399 . . . J OR W PACKAGE  
SN74LS399 . . . D OR N PACKAGE

(TOP VIEW)



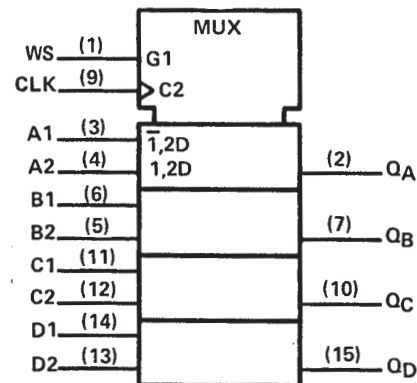
SN54LS399 . . . FK PACKAGE

(TOP VIEW)



NC – No internal connection

logic symbol†



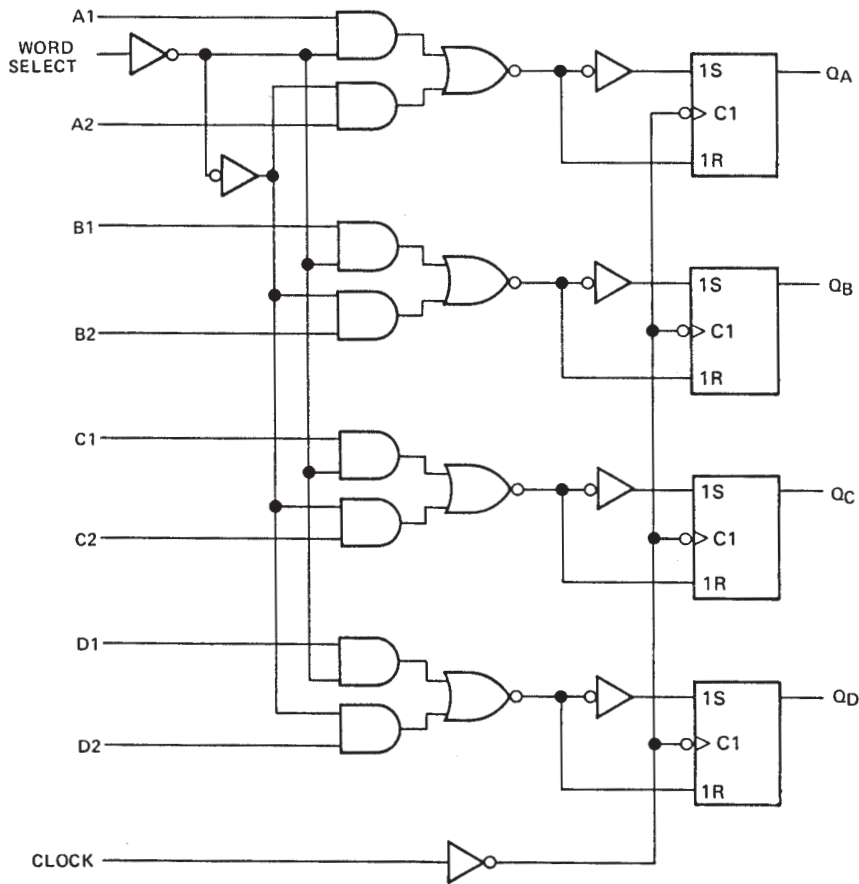
†This symbol is in accordance with ANSI/IEEE Std 91-1984 and IEC Publication 617-12.

Pin numbers shown are for D, J, N, and W packages.

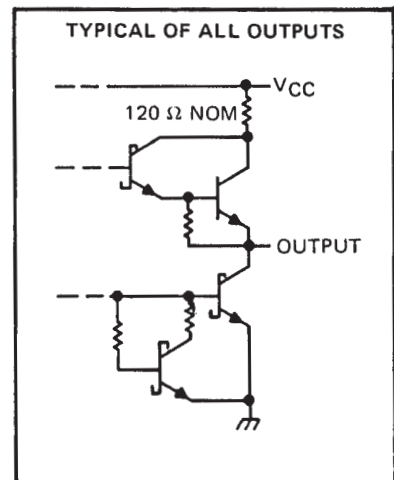
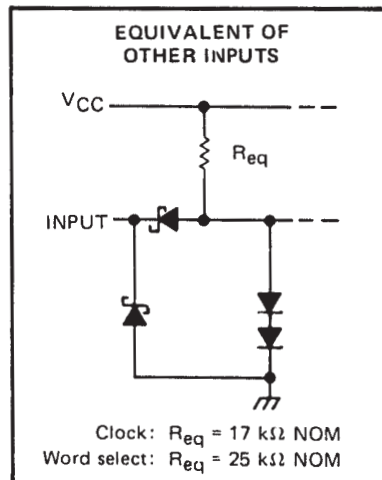
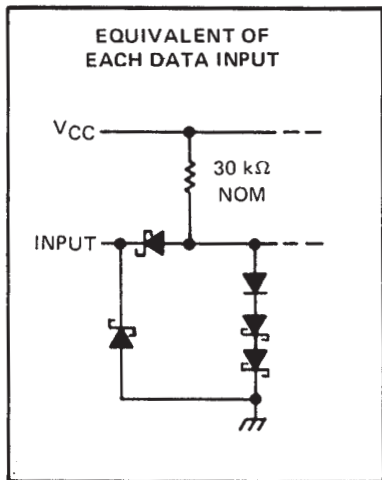
# SN54LS399, SN74LS399 QUADRUPLE 2-INPUT MULTIPLEXERS WITH STORAGE

SDLS174 – OCTOBER 1976 – REVISED MARCH 1988

## logic diagram (positive logic)



## schematics of inputs and outputs



# SN54LS399, SN74LS399

## QUADRUPLE 2-INPUT MULTIPLEXERS WITH STORAGE

SDLS174 – OCTOBER 1976 – REVISED MARCH 1988

### absolute maximum ratings over operating free-air temperature range (unless otherwise noted)

Supply voltage, $V_{CC}$ (see Note 1) . . . . .	7 V
Input voltage . . . . .	7 V
Operating free-air temperature range: SN54LS399 . . . . .	–55°C to 125°C
SN74LS399 . . . . .	0°C to 70°C
Storage temperature range . . . . .	–65°C to 150°C

NOTE 1: Voltage values are with respect to network ground terminals.

### recommended operating conditions

		SN54LS399			SN74LS399			UNIT
		MIN	NOM	MAX	MIN	NOM	MAX	
Supply voltage, $V_{CC}$		4.5	5	5.5	4.75	5	5.25	V
High-level output current, $I_{OH}$		–400			–400			$\mu$ A
Low-level output current, $I_{OL}$		4			8			mA
Width of clock pulse, high or low level, $t_W$		20			20			ns
Setup time, $t_{su}$	Data	25			25			ns
	Word select	45			45			
Hold time, $t_h$	Data	0			0			ns
	Word select	0			0			
Operating free-air temperature, $T_A$		–55		125	0		70	°C

### electrical characteristics over recommended operating free-air temperature range (unless otherwise noted)

PARAMETER	TEST CONDITIONS†	SN54LS399			SN74LS399			UNIT
		MIN	TYP‡	MAX	MIN	TYP‡	MAX	
$V_{IH}$ High-level input voltage		2			2			V
$V_{IL}$ Low-level input voltage				0.7			0.8	V
$V_{IK}$ Input clamp voltage	$V_{CC} = \text{MIN}, I_I = -18 \text{ mA}$			–1.5			–1.5	V
$V_{OH}$ High-level output voltage	$V_{CC} = \text{MIN}, V_{IH} = 2 \text{ V}, V_{IL} = V_{IL \text{ max}}, I_{OH} = -400 \mu\text{A}$	2.5	3.4		2.7	3.4		V
$V_{OL}$ Low-level output voltage	$V_{CC} = \text{MIN}, V_{IH} = 2 \text{ V}, V_{IL} = V_{IL \text{ max}}$	$I_{OL} = 4 \text{ mA}$		0.25	0.4	$I_{OL} = 4 \text{ mA}$		V
		$I_{OL} = 8 \text{ mA}$				$I_{OL} = 8 \text{ mA}$		
$I_I$ Input current at maximum input voltage	$V_{CC} = \text{MAX}, V_I = 7 \text{ V}$			0.1			0.1	mA
$I_{IH}$ High-level input current	$V_{CC} = \text{MAX}, V_I = 2.7 \text{ V}$			20			20	$\mu$ A
$I_{IL}$ Low-level input current	$V_{CC} = \text{MAX}, V_I = 0.4 \text{ V}$			–0.4			–0.4	mA
$I_{OS}$ Short-circuit output current§	$V_{CC} = \text{MAX}$	–20	–100		–20	–100		mA
$I_{CC}$ Supply current	$V_{CC} = \text{MAX},$ See Note 2		7.3	13		7.3	13	mA

† For conditions shown as MIN or MAX, use the appropriate value specified under recommended operating conditions.

‡ All typical values are at  $V_{CC} = 5 \text{ V}, T_A = 25^\circ\text{C}$ .

§ Not more than one output should be shorted at a time, duration of the short-circuit should not exceed one second.

NOTE 2: With all outputs open and all inputs except clock low,  $I_{CC}$  is measured after applying a momentary 4.5 V, followed by ground, to the clock input.

### switching characteristics, $V_{CC} = 5 \text{ V}, T_A = 25^\circ\text{C}$

PARAMETER	TEST CONDITIONS	MIN	TYP	MAX	UNIT
$t_{PLH}$ Propagation delay time, low-to-high-level output	$C_L = 15 \text{ pF}, R_L = 2 \text{ k}\Omega,$		18	27	ns
$t_{PHL}$ Propagation delay time, high-to-low-level output	See Note 3		21	32	

NOTE 3: Load circuits and voltage waveforms are shown in Section 1.



## IMPORTANT NOTICE

Texas Instruments and its subsidiaries (TI) reserve the right to make changes to their products or to discontinue any product or service without notice, and advise customers to obtain the latest version of relevant information to verify, before placing orders, that information being relied on is current and complete. All products are sold subject to the terms and conditions of sale supplied at the time of order acknowledgement, including those pertaining to warranty, patent infringement, and limitation of liability.

TI warrants performance of its semiconductor products to the specifications applicable at the time of sale in accordance with TI's standard warranty. Testing and other quality control techniques are utilized to the extent TI deems necessary to support this warranty. Specific testing of all parameters of each device is not necessarily performed, except those mandated by government requirements.

CERTAIN APPLICATIONS USING SEMICONDUCTOR PRODUCTS MAY INVOLVE POTENTIAL RISKS OF DEATH, PERSONAL INJURY, OR SEVERE PROPERTY OR ENVIRONMENTAL DAMAGE ("CRITICAL APPLICATIONS"). TI SEMICONDUCTOR PRODUCTS ARE NOT DESIGNED, AUTHORIZED, OR WARRANTED TO BE SUITABLE FOR USE IN LIFE-SUPPORT DEVICES OR SYSTEMS OR OTHER CRITICAL APPLICATIONS. INCLUSION OF TI PRODUCTS IN SUCH APPLICATIONS IS UNDERSTOOD TO BE FULLY AT THE CUSTOMER'S RISK.

In order to minimize risks associated with the customer's applications, adequate design and operating safeguards must be provided by the customer to minimize inherent or procedural hazards.

TI assumes no liability for applications assistance or customer product design. TI does not warrant or represent that any license, either express or implied, is granted under any patent right, copyright, mask work right, or other intellectual property right of TI covering or relating to any combination, machine, or process in which such semiconductor products or services might be or are used. TI's publication of information regarding any third party's products or services does not constitute TI's approval, warranty or endorsement thereof.