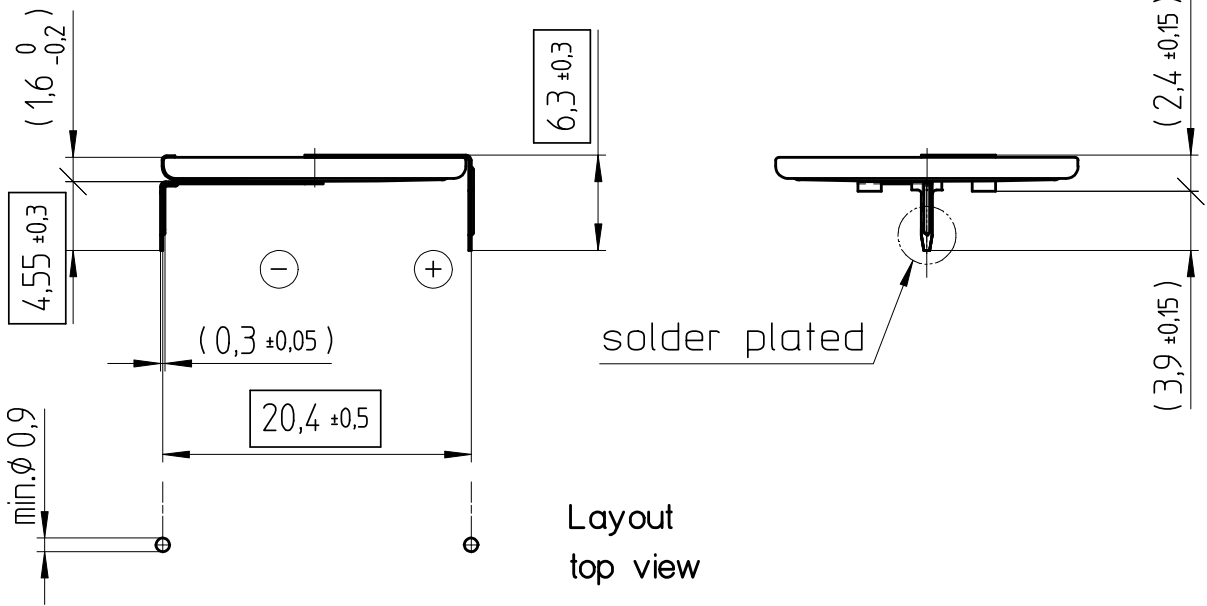
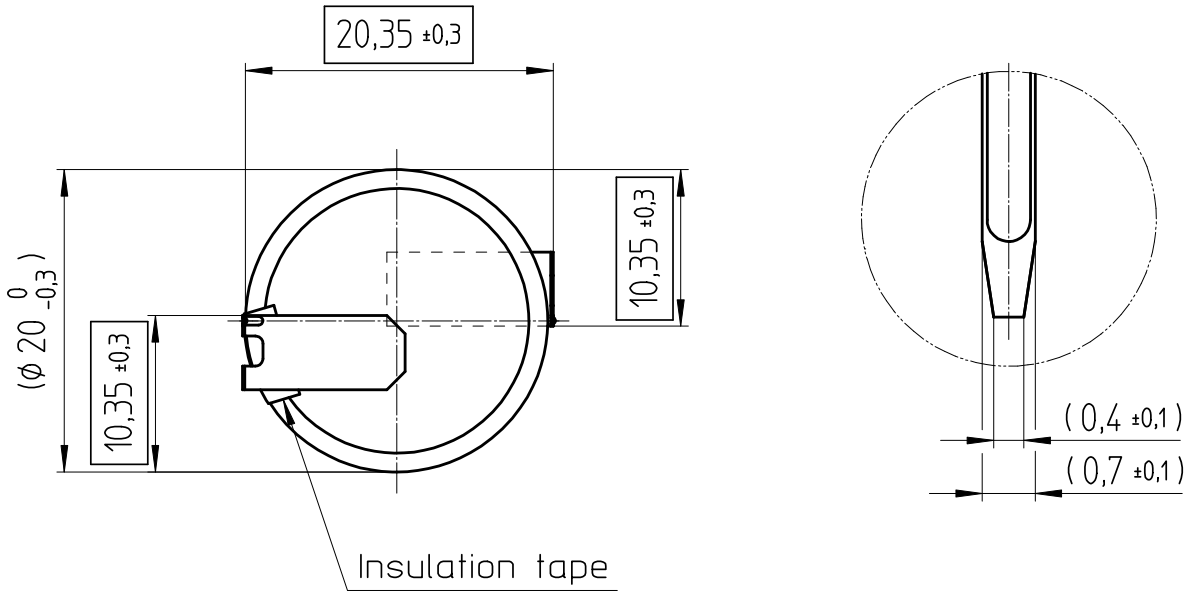


Art.-Number: 701239



Tab material: Stainless steel

All framed values will be used for dimension checking !

- Samples can deviate in the execution from the serie.

- Dimensions and tolerances can be specified only after the testing of the devices for the mass production definitely

|              |   |          |     |      |   |  |                                |                     |            |     |  |
|--------------|---|----------|-----|------|---|--|--------------------------------|---------------------|------------|-----|--|
| Rev.         | ① | 20.01.05 | SRi | Rev. | ○ |  |                                | Customer's Approval |            |     |  |
| Rev.         | ○ |          |     | Rev. | ○ |  |                                | Date                |            |     |  |
| Rev.         | ○ |          |     | Rev. | ○ |  |                                | Signature           |            |     |  |
| Titel:       |   |          |     |      |   |  | Scale<br>2:1                   | Drawn               | 10.02.93   | SRi |  |
| CR2016FH1-LF |   |          |     |      |   |  |                                | Checked             | 05.08.05   | FKo |  |
|              |   |          |     |      |   |  |                                | Approved            |            |     |  |
|              |   |          |     |      |   |  | CH-4452 Itingen<br>Switzerland |                     | 3.8122.4-1 |     |  |