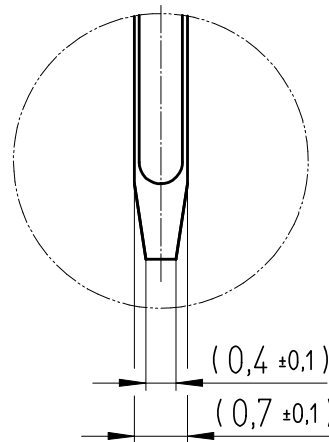


Layout top view



- Samples can deviate in the execution from the serie.

Tab material: Stainless steel

All framed values will be used for dimension checking !

- Dimensions and tolerances can be specified only after the testing of the devices for the mass production definitely

Rev.	○		Rev.	○			Customer's Approval		
Rev.	○		Rev.	○			Date		
Rev.	○		Rev.	○			Signature		
Titel:						Scale 2:1	Drawn	22.12.04	SRi
CR1632FV-LF							Checked	07.02.05	MHo
							Approved		
						CH-4452 Itingen Switzerland		3.8708.4-	