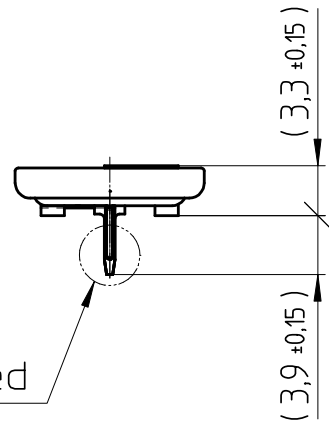


Layout  
top view

solder plated



- Samples can deviate in the execution from the serie.

Tab material: Stainless steel

All framed values will be used for dimension checking !

- Dimensions and tolerances can be specified only after the testing of the devices for the mass production definitely

Rev.	<input type="radio"/>			Rev.	<input type="radio"/>			Customer's Approval		
Rev.	<input type="radio"/>			Rev.	<input type="radio"/>			Date		
Rev.	<input type="radio"/>			Rev.	<input type="radio"/>			Signature		
Titel:							Scale	Drawn	21.12.04	SRi
CR1225FH-LF							2:1	Checked	07.02.05	MHo
								Approved		
							CH-4452 Itingen Switzerland		3.8702.4-	