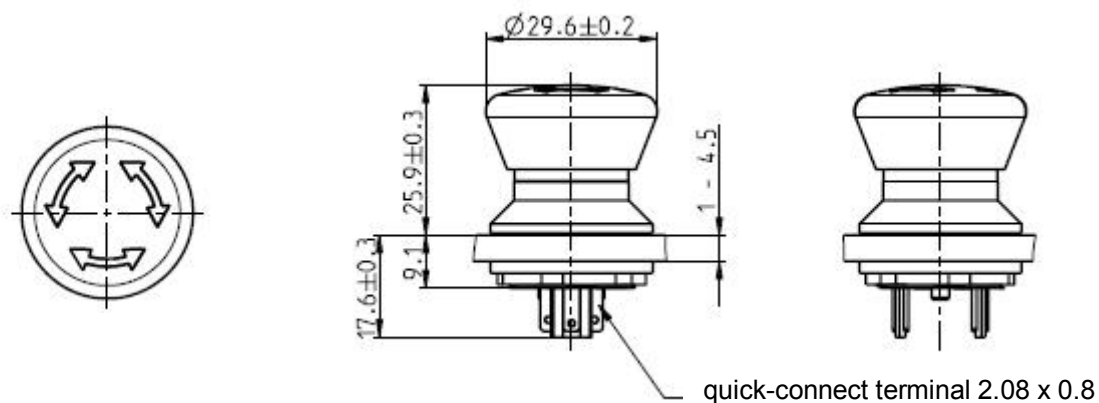


General Data

Type designation:	LUMOTAST 22
Description:	Emergency Stop Pushbutton acc. to EN 13850
Approbations:	-
Switch type:	2NC, 2NC + 1 NO, 2NC + LED
Protection class:	IP65
Storage temperature (max.):	-40 °C ... 80 °C
Operating temperature (max.):	-25 °C ... 70 °C
Operating life, mechanical / B10:	15,000



Electrical Data according to IEC/EN 60947-5-1 (VDE 0660, Part 200)

	Alternating current	Direct current
Use category:	AC15	DC13
Rating insulation voltage Ui:	250 V	250 V
Rating operation voltage Ue:	250 V	240 V
Therm. Steady current:	2.5 A	2.5 A

Technical Data

Mounting hole:	22.3 mm
Torque (assembly nut):	max. 1.9 Nm
Release:	Rotating release (left/right)
Mounting position:	any position
Manual Soldering:	leadfree soldering paste, temperature should not exceed 350°, soldering time max. 5 sec.
Norms:	EN 60947-5-1, EN 60947-5, EN 60068, EN 13850

Note

with integrated transmitter (2NC, 2NC + 1NO, 2NC illuminable with white LED)

- Switching position display
- acc. to EN 13850

Order numbers

LUMOTAST 22 Emergency Stop Pushbutton with 2NC	1.15.105.001/0000
LUMOTAST 22 Emergency Stop Pushbutton with 2NC, illuminable	1.15.105.011/0000
LUMOTAST 22 Emergency Stop Pushbutton with 2NC + 1NO	1.15.105.021/0000

3D data in ".step" or ".igs" format upon request.

Technical data are approximate and intended solely for general orientation in the selection of a product. Subject to modifications and errors. Images and other graphics may only be similar. For more information, refer to www.rafi.de chapter Imprint /Data Protection.

RAFI GmbH & Co. KG
Ravensburger Str. 128-134, D-88276 Berg/Ravensburg
Tel.: +49 751 89-0, Fax: +49 751 89-1300
www.rafi.de, info@rafi.de