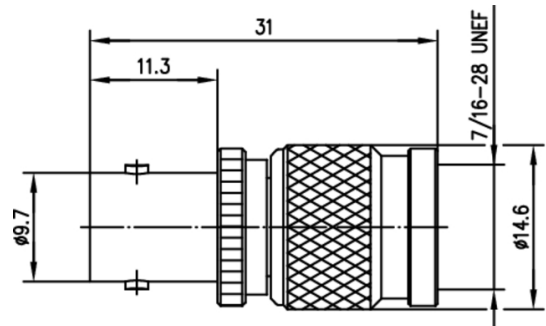


order number: J01019B0000

BNC to TNC f-m



Technical Attributes	
Type	BNC (f)/TNC (m)
Max. Frequency	4 GHz
Return Loss	33dB/1GHz; 28dB/2GHz; 20dB/4GHz
Life	min. 500
Z	$\Omega$
Series	
Finish	
Mount. dim.	