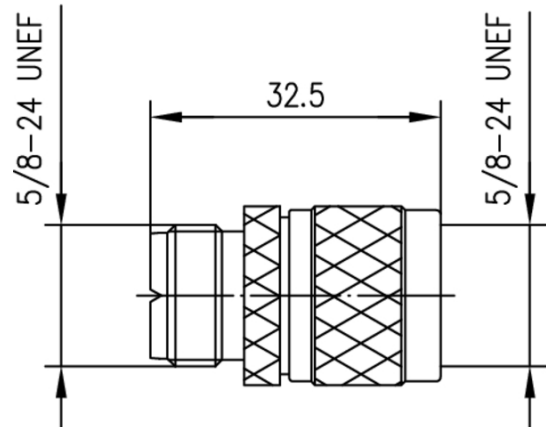
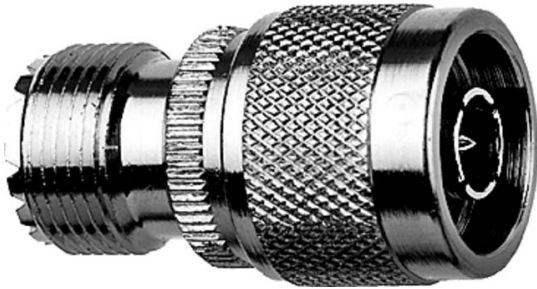


order number: J01043A0832

UHF to N f-m



Technical Attributes	
Type	UHF (f)/N (m)
MIL-Std.	UG-146 /U
Z	Ω
Cable group; cable	
Dimensions	
Assembly	
Crimp die	