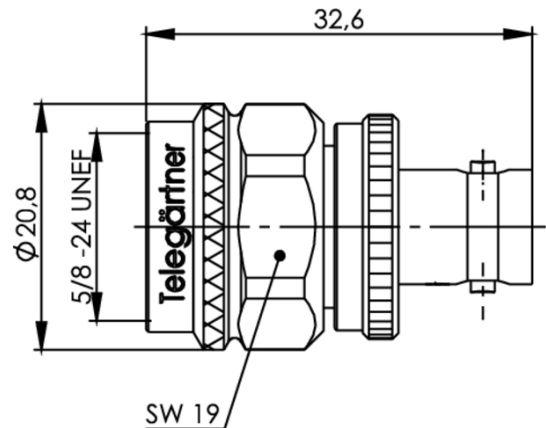


order number: J01008C0825

BNC to N f-m



Technical Attributes	
Type	BNC (f)/N (m)
Remarks	-
Max. Frequency	4 GHz
Return Loss	40dB/1GHz; 39dB/2GHz; 26dB/4GHz
MIL-Std.	UG-201/U
Life	min. 500
Z	Ω
Cable group; cable	
Dimensions	
Assembly	
Crimp die	