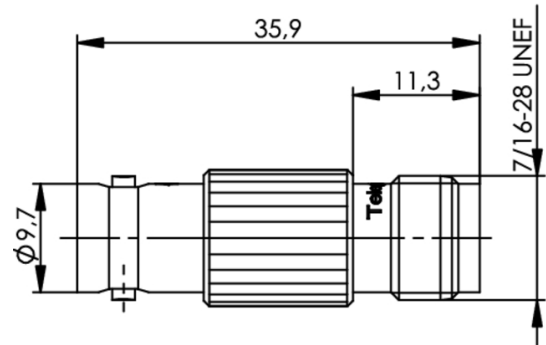


order number: J01008A0012

BNC to TNC f-f



| Technical Attributes |                                 |
|----------------------|---------------------------------|
| Type                 | BNC (f)/TNC (f)                 |
| Max. Frequency       | 4 GHz                           |
| Return Loss          | 27dB/1GHz; 24dB/2GHz; 24dB/4GHz |
| Life                 | min. 500                        |
| Z                    | $\Omega$                        |
| Series               |                                 |
| Finish               |                                 |
| Mount. dim.          |                                 |