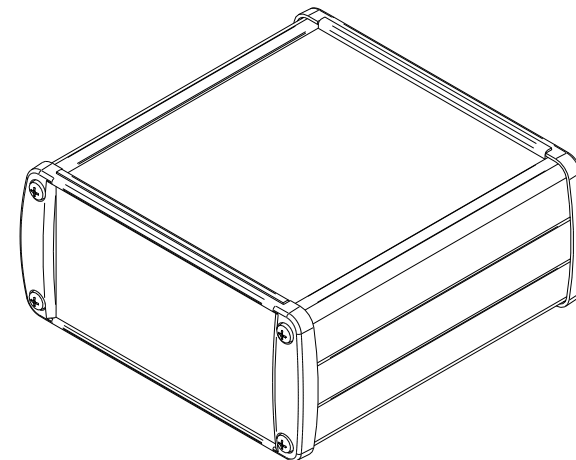
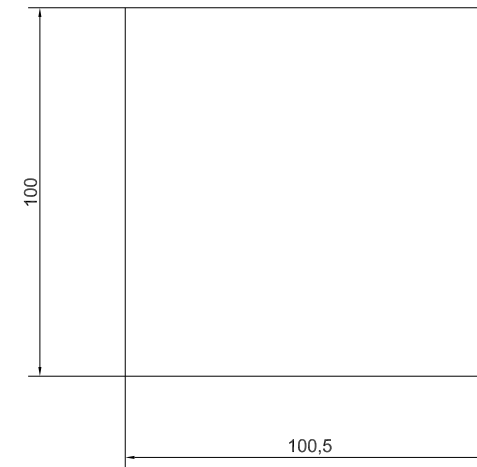

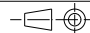


MAXIMUM PCB SIZE



	Denomination	Part Number	
	Assembly TEKAM-31 Subject to technical modification without prior notice. Tipographical and other errors do not justify any claim for damages. All dimensions should be verified using an actual moulded part.	TEKAM-31	
	Rev. Index	Date	Scale
		24/04/2007	1:1 Format design A2