

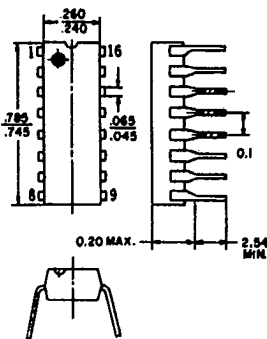
T-77-07-05



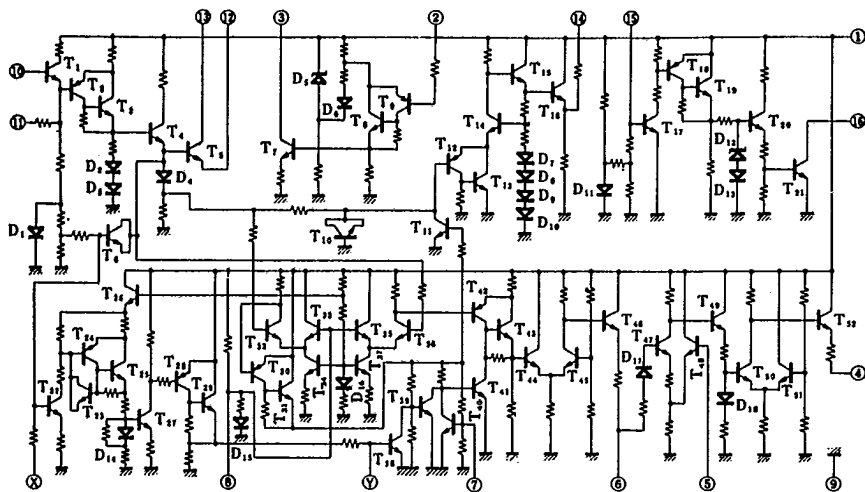
ECG1065

TV VIDEO SIGNAL PROCESSING
CIRCUIT

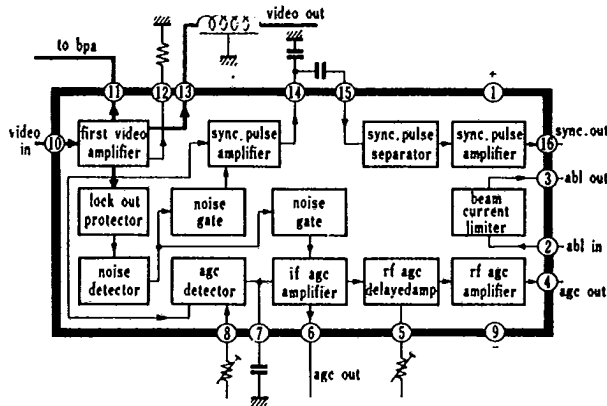
Quick Reference Data		
SYMBOL	VALUE	UNIT
V_{CC}	12	V
G_{10-10}	1.2	*
B	4.5 min.	MHz
G_{10-16}	3	*
V_{e-s}	9 min.	V
V_{f-s}	8.4 min.	V
V_{s-s}	9.8	V



* VOLTAGE GAIN



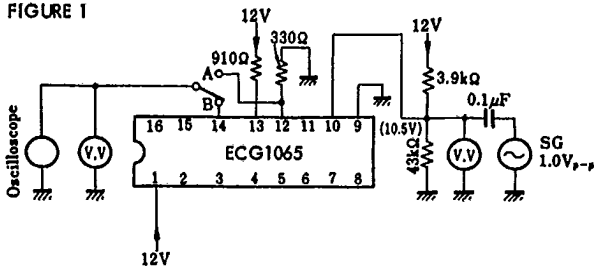
T-77-07-05



Absolute Maximum Ratings (Ta=25°C)

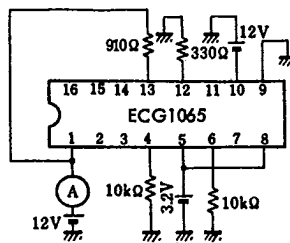
SYMBOL	RATING		UNIT
V ₁₋₉	15.6		V
V ₂₋₉	V ₁₋₉	0	V
V ₃₋₉ , V ₁₅₋₉	30	0	V
V ₅₋₉ , V ₈₋₉ , V ₁₀₋₉	V ₁₋₉	-5	V
V ₁₃₋₉	24	0	V
I ₂	0.1	-1	mA
I ₃	10	-0.1	mA
I ₄	0.1	-10	mA
I ₇ , I ₁₀ , I ₁₅	1	-0.1	mA
I ₈ , I ₁₁	1	-10	mA
I ₇ , I ₈ , I ₁₁	1	-1	mA
I ₁₂	0.1	-20	mA
I ₁₃	20	0	mA
I ₁₆	10	0	mA
P _{T5}	60		mW
P _{T7}	45		mW
P _{T81}	20		mW
I _{tot}	50		mA
P _T	490		mW
T _{opr}	-20~+70		°C
T _{stg}	-40~+150		°C

FIGURE 1



667

FIGURE 2



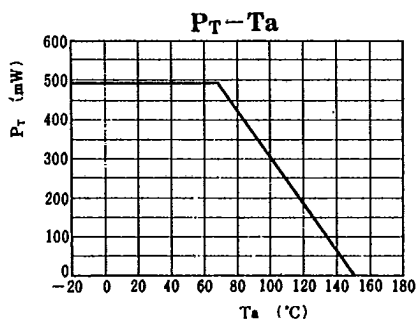
ECG1065

T-77-07-05

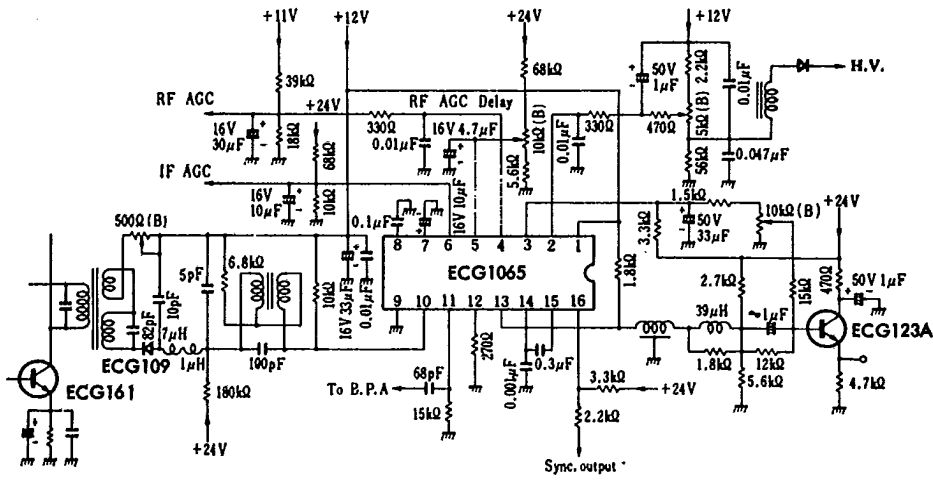
Electrical Characteristics ($V_{CO}=V_{1-9}=12V$, $T_a=25^\circ C$)

SYMBOL	TEST FIG	RATING	MIN.	TYP.	MAX.	UNIT
I_{tot}	1	$V_{10-9}=12V$	14	18	22	mA
$R_{i\textcircled{1}}$		$V_{10-9}=10V$ R-X		150		k Ω
$C_{i\textcircled{1}}$		$f=3.58MHz$		3.5		pF
G_{10-11}	2	$V_{10-9}=10\sim 11V$, $V_{10-9}=1V_{p-p}$	1.12	1.2	1.28	*
V_{11-9}		$V_{10-9}=11.8V$ $R_{11-9}=910\Omega$, $R_{11-9}=330\Omega$		0.25		V
B	2		4.5			V
V_{11-9}		$V_{10-9}=12V$ $R_{11-9}=330\Omega$, $I_{11}=1mA$	24			V
G_{10-11}	2	$V_{10-9}=10\sim 11V$, $V_{10-9}=1V_{p-p}$	2.4	3	3.6	*
$R_{o\textcircled{2}}$		R-X $f=500kHz$	430	540	650	Ω
V_{11-9}				0.48		V
V_{8-9}		$R_{8-9}=3.3k\Omega$, $V_{10-9}=9V$	9			V
G_{1F}		$R_{8-9}=3.3k\Omega$, $V_{8-9}=3V$	500			*
$R_{o\textcircled{3}}$		R-X $f=500kHz$	340	420	500	Ω
V_{4-9}		$V_{1-9}=12V$	3	3.2	3.4	V
V_{1-9}		$R_{1-9}=10k\Omega$, $V_{1-9}=3.2V$ $V_{8-9}=6V$	8.4			V
G_{RF}		$R_{1-9}=10k\Omega$, $V_{1-9}=3V$		80		*
$R_{o\textcircled{4}}$		R-X $f=500kHz$		2.6		k Ω
V_{8-9}		$R_{1-9}=3.3k\Omega$, $V_{8-9}=6V$	8.5	9.8	10.5	V
G_{2-9}		$R_{1-9}=3.3k\Omega$		30		*
G_{10-11}		$V_{10-9}=10\sim 11V$, $V_{10-9}=1V_{p-p}$		0.99		*
$R_{o\textcircled{5}}$		R-X $f=3.58MHz$		280		Ω

* VOLTAGE GAIN



T-77-07-05



689

ECG1065