

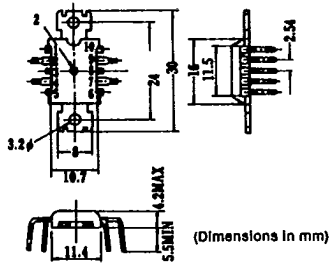
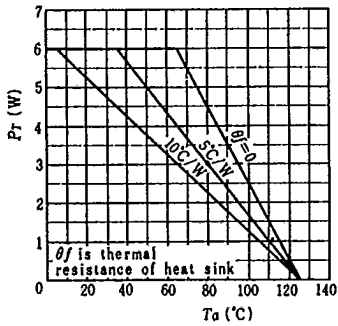
T-74-05-01



# ECG1037

## 5.5W OTL AUDIO POWER AMPLIFIER

### MAXIMUM POWER DISSIPATION CURVE

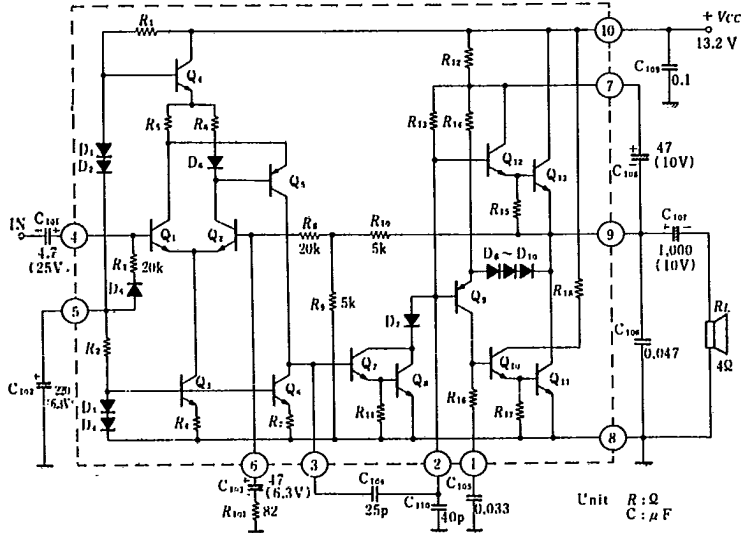


### ABSOLUTE MAXIMUM RATINGS ( $T_a=25^{\circ}\text{C}$ )

Symbol	Rating	Unit
$V_{CC}$	18	V
$I_{O_{max}}$	2.25	A
$P_T^*$	6	W
$T_{stg}$	-55 ~ +125	$^{\circ}\text{C}$

\* Value at  $T_c = 65^{\circ}\text{C}$

### CIRCUIT SCHEMATIC & TYPICAL EXTERNAL PARTS



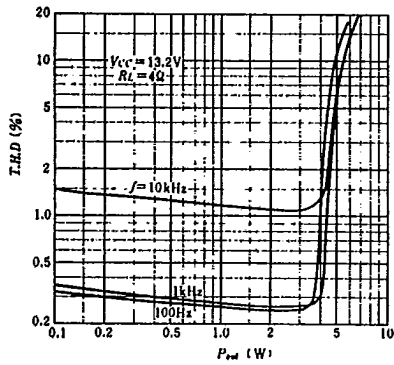
ECG1037

594

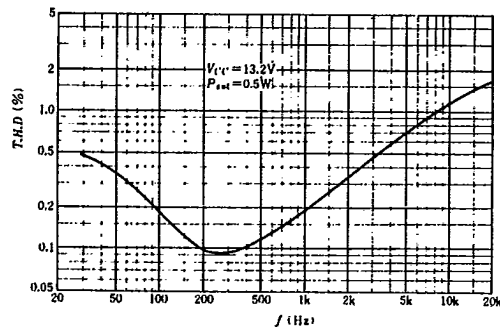
**ELECTRICAL CHARACTERISTICS ( $V_{CC}=13.2V, f=1kHz, R_g=600\Omega, T_a=25^\circ C$ )**

Symbol	Test Condition	min	typ	max	Unit
$I_a$		20	50	100	mA
$G_v$	$R_{HF}=82\Omega$	52	55	58	dB
$P_{out}$	$T.H.D \leq 10\%$	4.5	5.5	—	W
$T.H.D$	$P_{out}=0.5W$	—	0.3	1.5	%
$V_s$	$R_s=10k\Omega, B.P.F=70Hz\sim 20kHz$	—	—	5.0	mV
$R_{in}$		—	36	—	k $\Omega$

**TOTAL HARMONIC DISTORTION VS. POWER OUTPUT**



**TOTAL HARMONIC DISTORTION VS. FREQUENCY**



**VOLTAGE GAIN VS. FREQUENCY**

