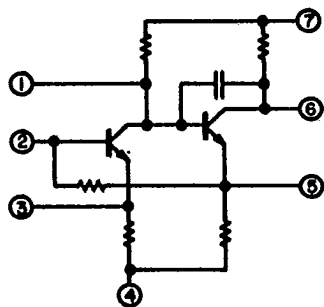


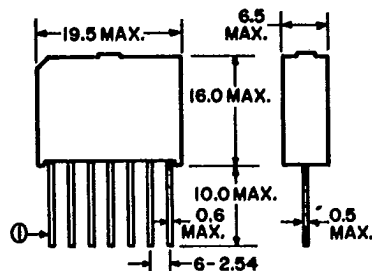


ECG1000
 LOW-NOISE AF PRE-AMPLIFIER
 MODULE THICK-FILM HYBRID

The Sylvania Type ECG1000 is a 12 volt- (typical supply voltage) low-noise, low distortion, direct-coupled two-stage AF preamplifier



CIRCUIT DIAGRAM



Specifications and Characteristics (at 25°C Ambient)

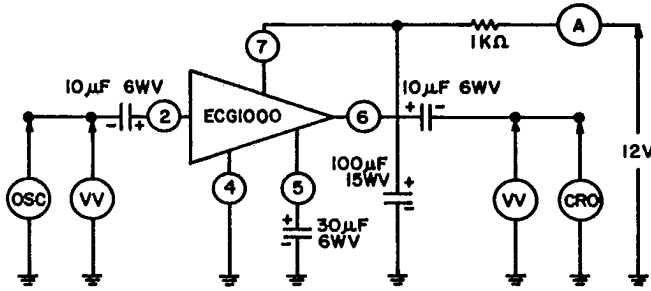
	Min.	Typical	Max.	Units
Supply Voltage	8	12	15	Volts
Current Drain ($V_{cc} = 12 V$)	0.6	1.1	2.0	mA
Voltage Gain (Note 1)	60	68	75	dB
Distortion (Note 2)	--	1.9	3.0	%
Max. Output Voltage (Note 3)	2.0	2.6	--	Volts
Input Impedance (Note 1)	10	30	--	Kilohms
Frequency Range (Note 4)	10	24	--	KHz
Output Noise Voltage (Note 5)	--	0.6	1.0	mV

Notes: (All Notes Refer to Test Circuit)

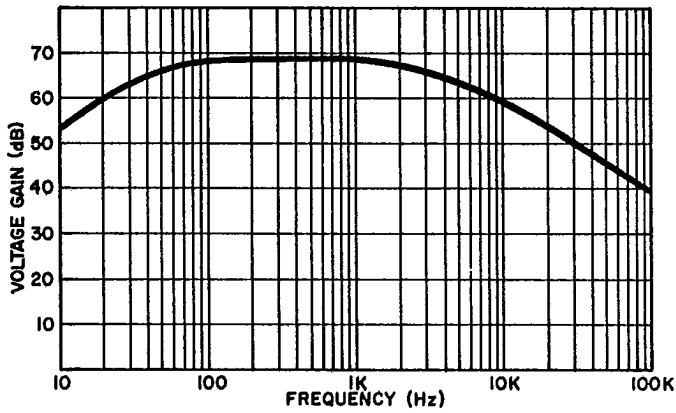
- (1) $F = 1KHz, V_{cc} = 12 Volts$
- (2) $F = 1KHz, V_{cc} = 12 Volts, V_{OUT} = -5 dBm$
- (3) $F = 1KHz, V_{cc} = 12 Volts, Distortion = 10%$
- (4) See Frequency Response Curve
- (5) Input Terminated in 330 ohms

ECG1000 492

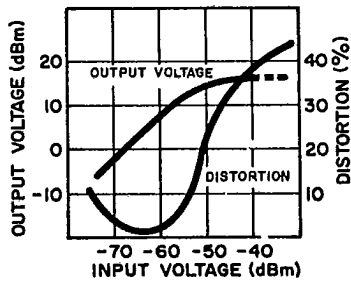
T-74-05-01



TEST CIRCUIT



FREQUENCY RESPONSE



INPUT-OUTPUT RESPONSE