

NE566 Function Generator

GENERAL DESCRIPTION

The SE/NE 566 Function Generator is a voltage controlled oscillator of exceptional linearity with buffered square wave and triangle wave outputs. The frequency of oscillation is determined by an external resistor and capacitor and the voltage applied to the control terminal. The oscillator can be programmed over a ten to one frequency range by proper selection of an external resistance and modulated over a ten to one range by the control voltage, with exceptional linearity.

FEATURES

- Wide range of operating voltage (up to 24 volts)
- High linearity of modulation
- Highly stable centre frequency (200 ppm/°C typical)
- Highly linear triangle wave output
- Frequency programming by means of a resistor or capacitor, voltage or current
- Frequency adjustable over 10 to 1 range with same capacitor

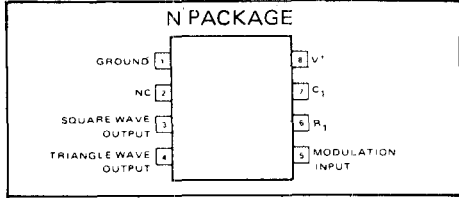
APPLICATIONS

- Tone generators
- Frequency shift keying
- FM modulators
- Clock generators
- Signal generators
- Function generators

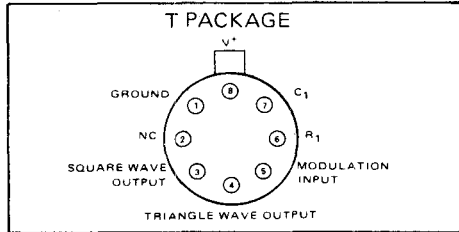
MAXIMUM RATINGS

PARAMETER	RATING	UNIT
Maximum operating voltage	26	V
Input voltage	3	V _{p-p}
Storage temperature	-65 to +150	°C
Operating temperature range		
NE566	0 to +70	°C
SE566	-55 to +125	°C
Power dissipation	300	mW

CONNECTION DIAGRAM



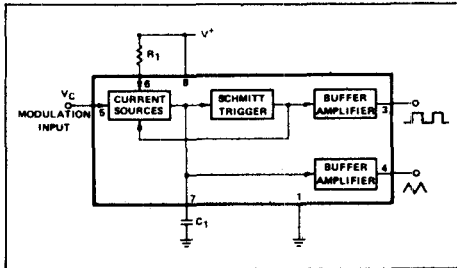
BLOCK DIAGRAM



REFERENCE TABLE

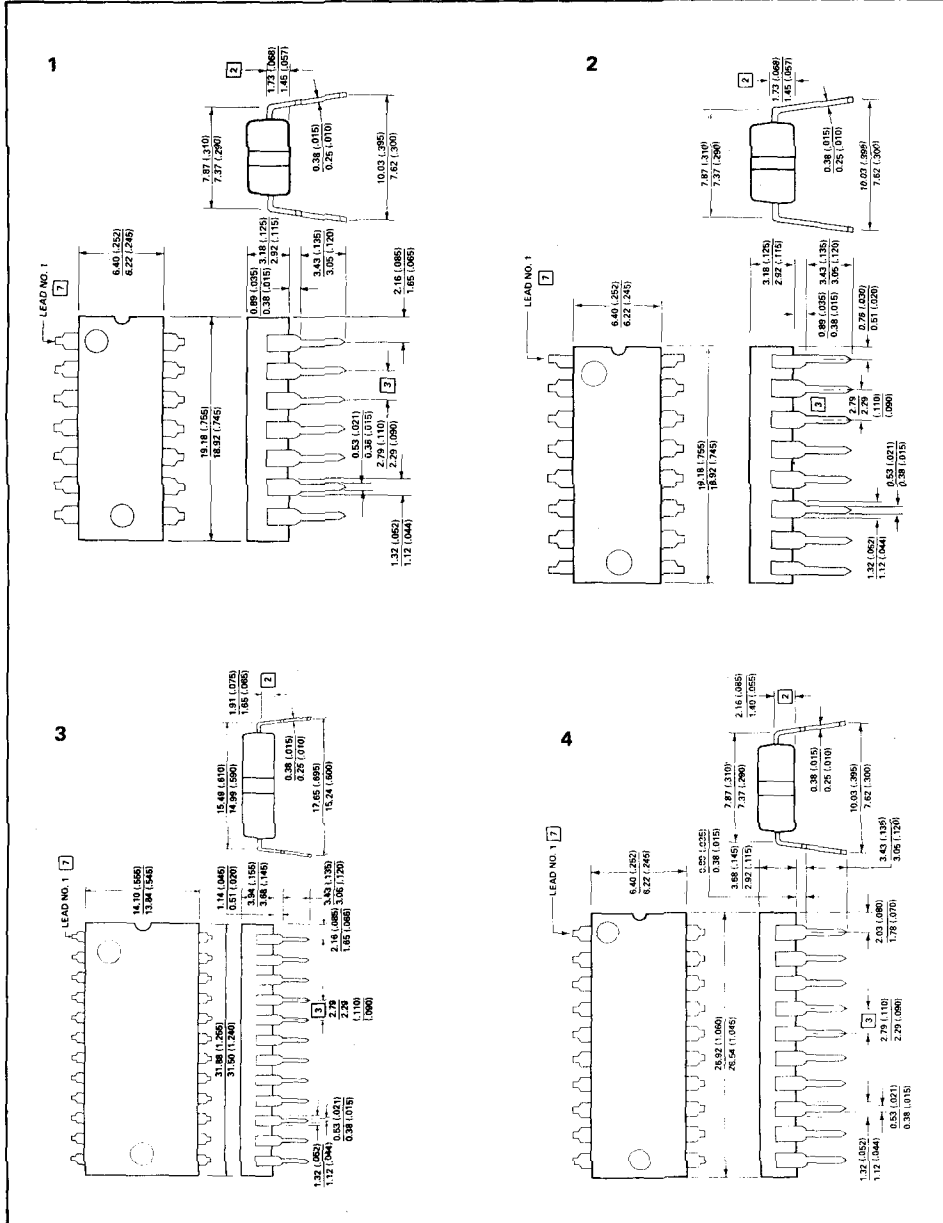
TYPE NO.	STOCK NO.	OUTLINE DRWG NO.
NE566N	56049G	8
NE566T	56050X	7

BLOCK DIAGRAM



PLEASE QUOTE STOCK NO.
AND MANUFACTURERS PART NO. WHEN ORDERING





PLEASE QUOTE STOCK NO.
AND MANUFACTURERS PART NO. WHEN ORDERING



Signetics

Outline Drawings



III GEMINI

FOR CURRENT PRICES PHONE
HARLOW (0279) 29644

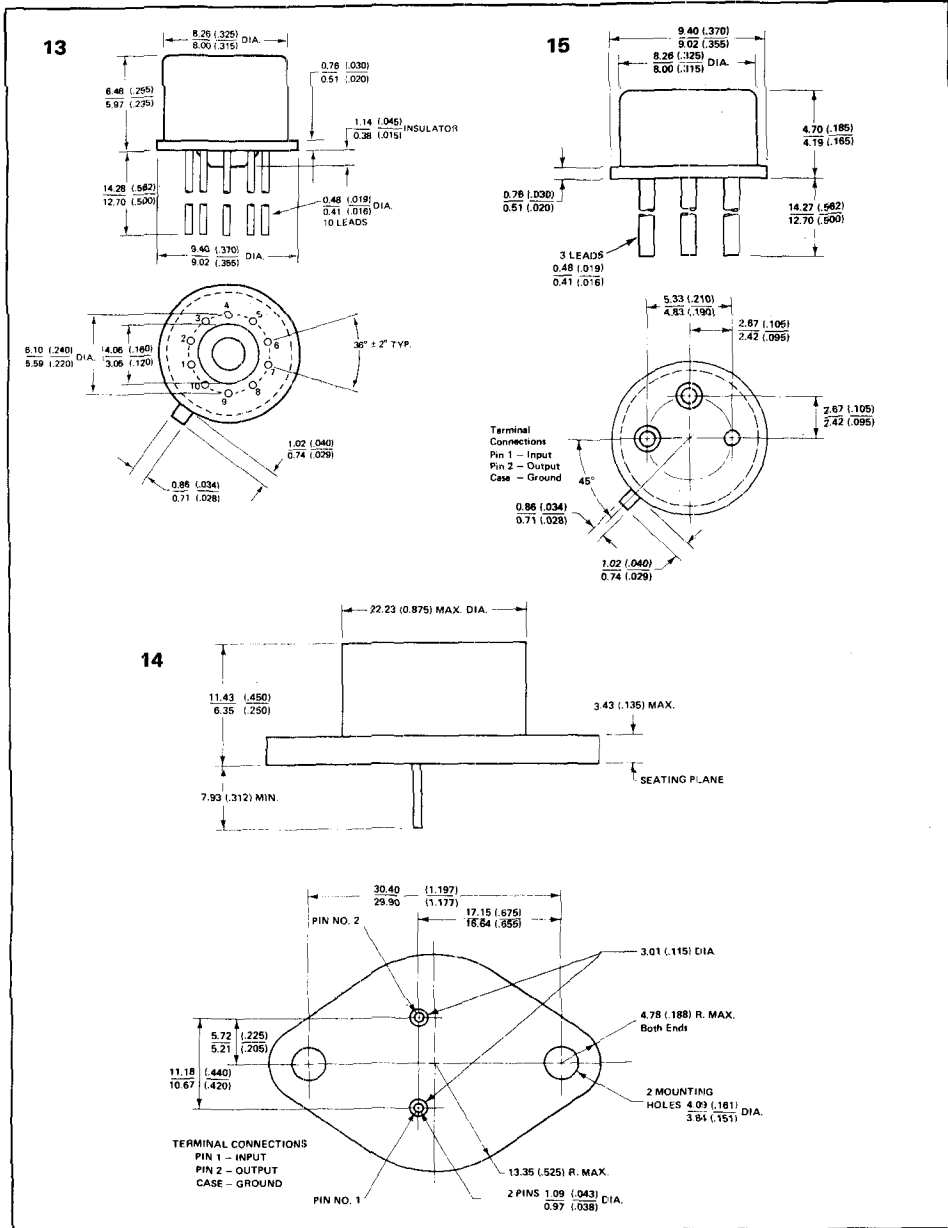


PLEASE QUOTE STOCK NO.
AND MANUFACTURERS PART NO. WHEN ORDERING

ITT GEMINI

Signetics

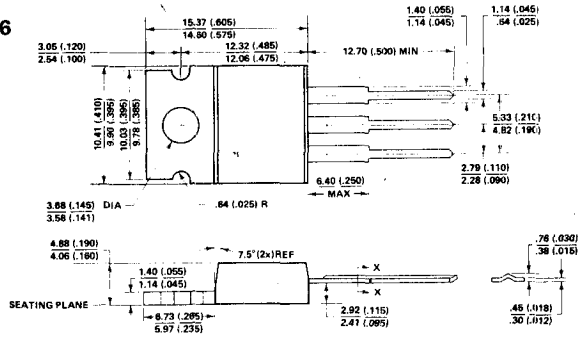
Outline Drawings



ITT GEMINI

FOR CURRENT PRICES PHONE
HARLOW (0279) 29644

16



17



19



PLEASE QUOTE STOCK NO.
AND MANUFACTURER PART NO. WHEN ORDERING

TTT GEMINI

