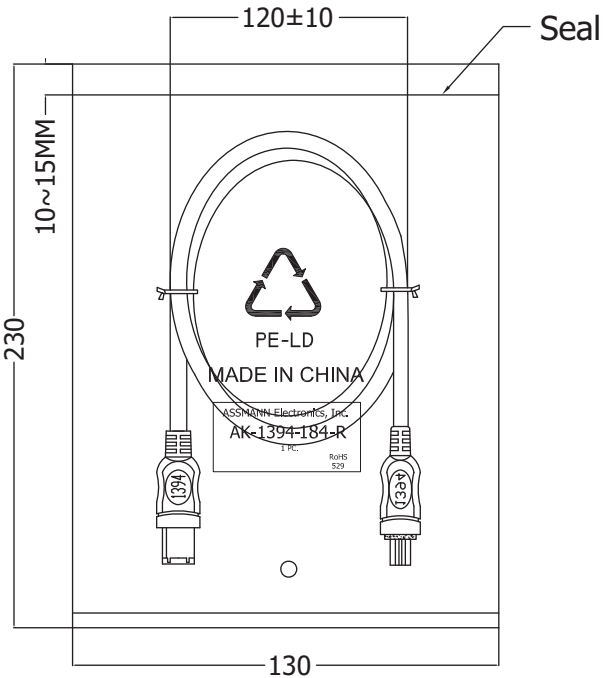
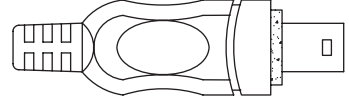
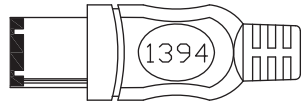


**P1**

**P2**



**Material:**

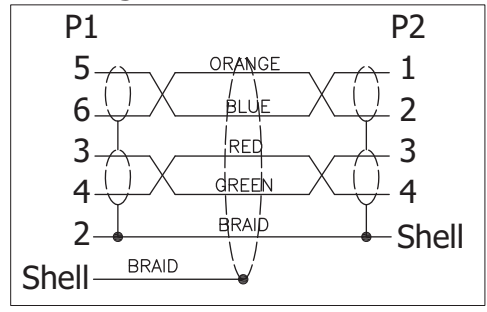
- Cable: UL20276 [30AWG/1P+AB)\*2C+AL/MY+B  
- OD ø4.8MM, stranded  
- Jacket: Black
- P1 Connector: IEEE 1394 6P Male  
- G/F Insulation Black  
- Shield nickel plated
- P2 Connector: IEEE 1394 4P Male  
- G/F Insulation Black  
- Shield nickel plated
- Outer jacket: Black 40P PVC
- Tube: Heat shrink, black, OD 1.5\*10MM

**Electrical:**

- Temperature 80°C
- Rated Voltage: 30V
- Construction type A
- IEEE Compliant

Unit: MM

**Pin Assignment**



G	Scale	1:1					Name	Item No.	<b>AK-1394-184-R</b>
	TOLERANCE						Drawn	10.24.11	
H	X.X	±0.40					Approved		Title IEEE 1394 Cable - 6 Pin Male <=> 4 Pin Male, 1.8 Meters Drawing No.
	X.XX	±0.25							
	X.XXX	±0.15							
	Angle	±3°							
								<b>ASSMANN</b> components	rev00
								Replace	Sheet

