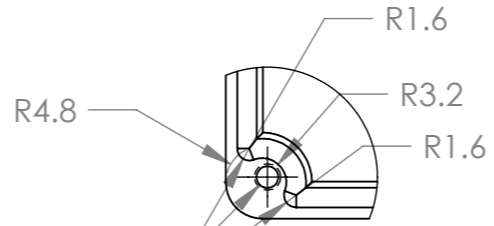
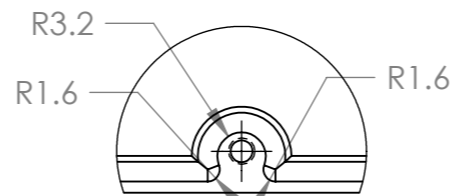
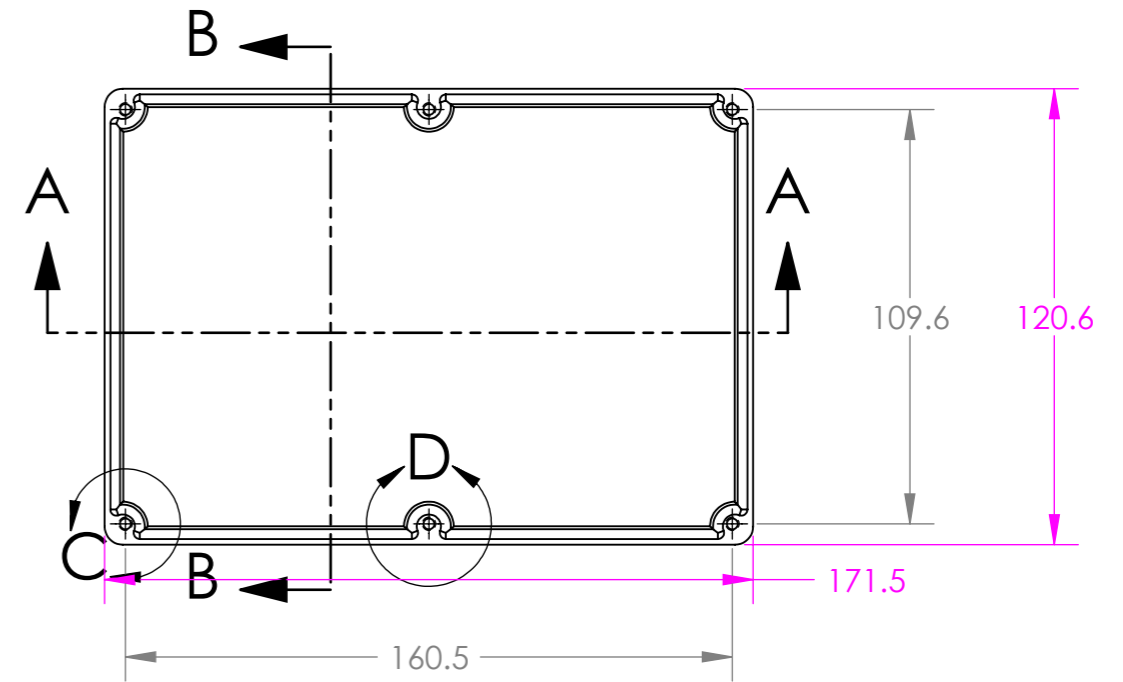


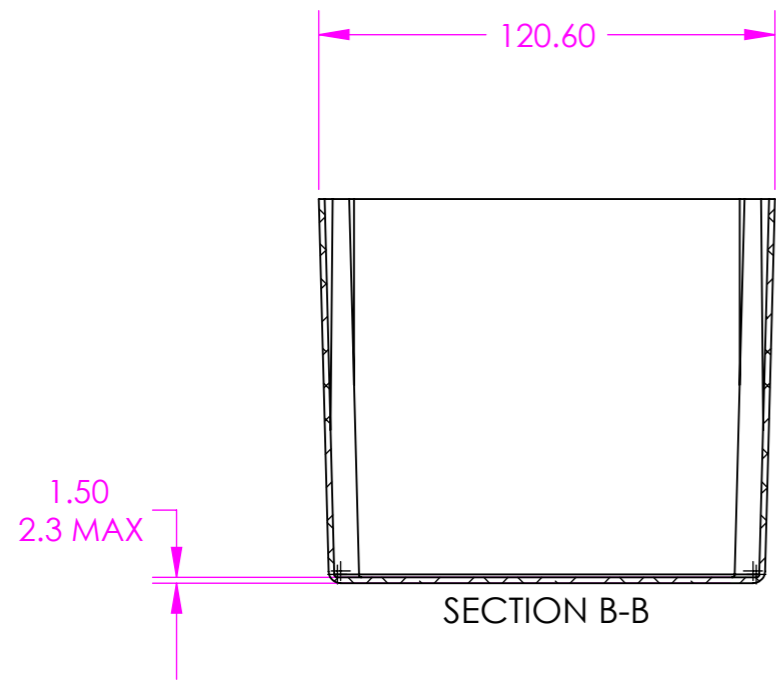
DETAIL C
SCALE 1:1



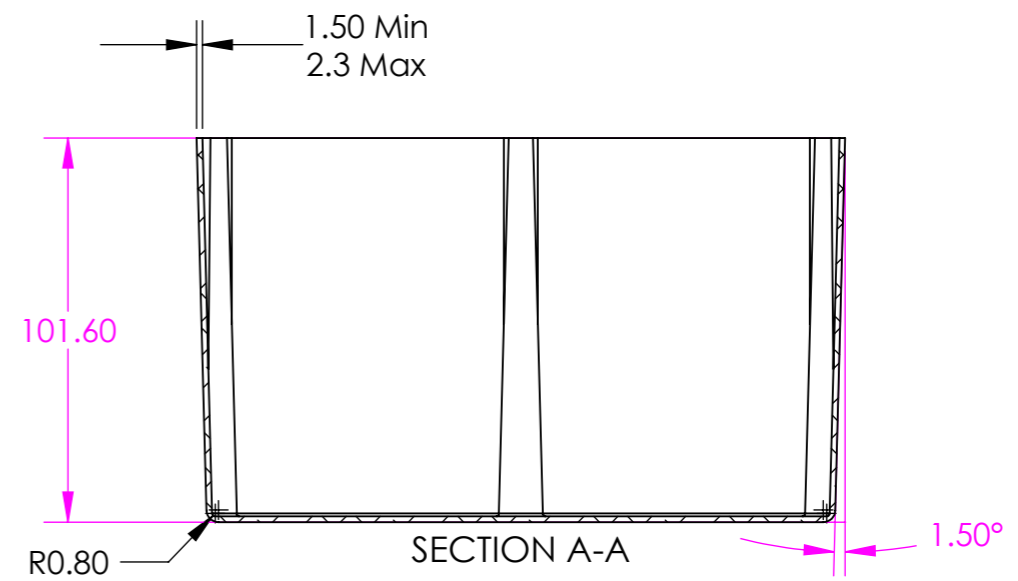
6X \varnothing 2.90 ∇ 13.80
M3.5X0.6 - 6H ∇ 12



DETAIL D
SCALE 1:1



SECTION B-B



SECTION A-A

	GENERAL PURPOSE		
SIZE	PLAIN	POWDER COATED	NYLON COATED
F	459-0060	461-0060	462-0060
SEALED			
F	460-0060	453-0060	454-0060

Tel No. +44(0)1724273200 Website www.dem-uk.com



PROPRIETARY AND CONFIDENTIAL
THE INFORMATION CONTAINED IN THIS DRAWING IS THE SOLE PROPERTY OF ALPHA 3 MANUFACTURING.
ANY REPRODUCTION IN PART OR AS A WHOLE WITHOUT THE WRITTEN PERMISSION OF ALPHA 3 MANUFACTURING IS PROHIBITED.

DEM Manufacturing, Deltron Emcon House
Hargreaves Way, Sawcliffe Ind. Park,
Scunthorpe, North Lincolnshire, DN15 8RF, UK

UNLESS OTHERWISE SPECIFIED:
DIMENSIONS ARE IN MILLIMETRES
LINEAR TOLERANCE:
NO DECIMAL PLACES $\pm 0.5\text{mm}$
1 DECIMAL PLACE $\pm 0.25\text{mm}$
2 DECIMAL PLACES $\pm 0.125\text{mm}$
ANGULAR TOLERANCE: $\pm 1^\circ$

FINISH .
DEBURR AND BREAK SHARP EDGES
DRAWN BY B.SILLENCE
APPROVED BY B.SILLENCE
THIRD ANGLE PROJECTION
IF IN DOUBT ASK DO NOT SCALE DRAWING
MATERIAL DieCaste Aluminium Alloy

SHEET 1 OF 1
SCALE 1:2
A3

TITLE **PROCUREMENT SPECIFICATION FOR 'F' SIZE DIECAST BOX**
DRAWING NO. **F BOX**
ISSUE **02**
Release