

# DATA SHEET

For a complete data sheet, please also download:

- The IC04 LOCMOS HE4000B Logic Family Specifications HEF, HEC
- The IC04 LOCMOS HE4000B Logic Package Outlines/Information HEF, HEC

## HEF4008B

## MSI

## 4-bit binary full adder

Product specification  
File under Integrated Circuits, IC04

January 1995

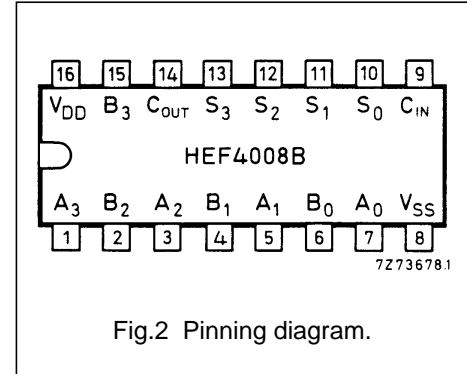
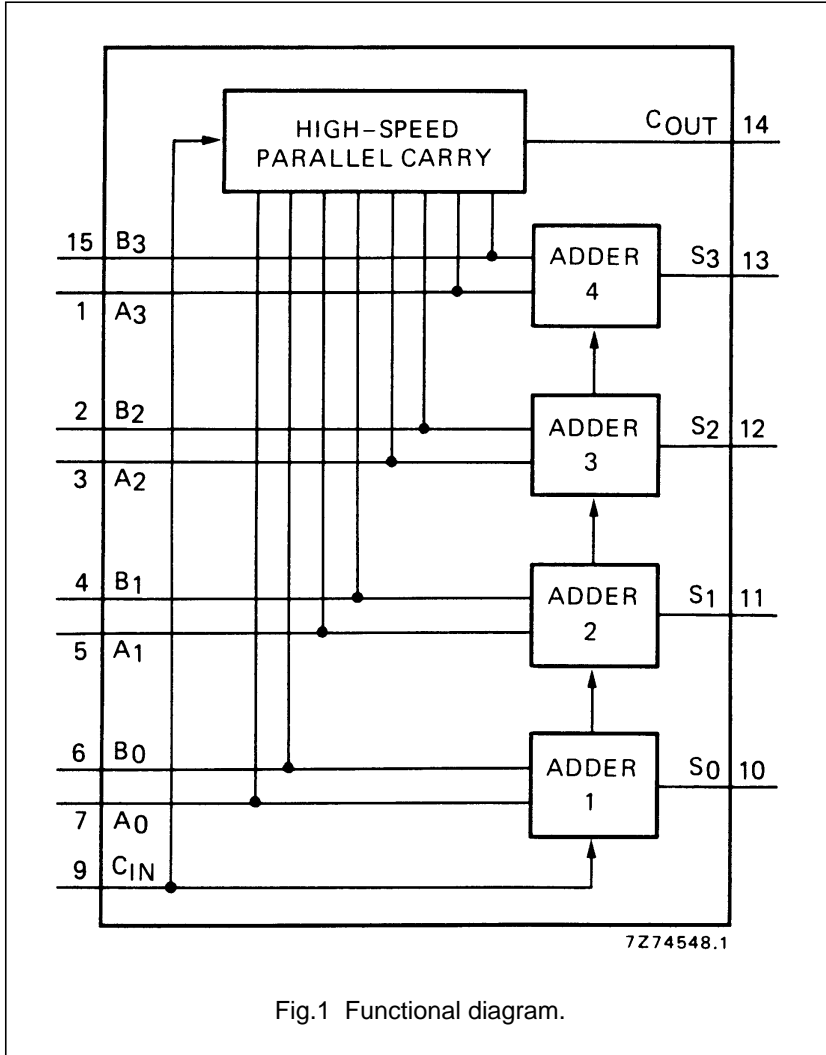
4-bit binary full adder

HEF4008B  
MSI

DESCRIPTION

The HEF4008B is a 4-bit binary full adder with two 4-bit data inputs ( $A_0$  to  $A_3$ ,  $B_0$  to  $B_3$ ), a carry input ( $C_{IN}$ ), four sum outputs ( $S_0$  to  $S_3$ ), and a carry

output ( $C_{OUT}$ ). The IC uses full look-ahead across 4-bits to generate  $C_{OUT}$ . This minimizes the necessity for extensive look-ahead and carry-cascading circuits.



PINNING

- $A_0$  to  $A_3$  data inputs
- $B_0$  to  $B_3$  data inputs
- $S_0$  to  $S_3$  sum outputs
- $C_{IN}$  carry input
- $C_{OUT}$  carry output

TRUTH TABLE (one adder)

$C_{IN}$	A	B	$C_{OUT}$	S
L	L	L	L	L
L	L	H	L	H
L	H	L	L	H
L	H	H	H	L
H	L	L	L	H
H	L	H	H	L
H	H	L	H	L
H	H	H	H	H

- HEF4008BP(N): 16-lead DIL; plastic (SOT38-1)
- HEF4008BD(F): 16-lead DIL; ceramic (cerdip) (SOT74)
- HEF4008BT(D): 16-lead SO; plastic (SOT109-1)
- ( ): Package Designator North America

FAMILY DATA,  $I_{DD}$  LIMITS category MSI

See Family Specifications

4-bit binary full adder

HEF4008B  
MSI

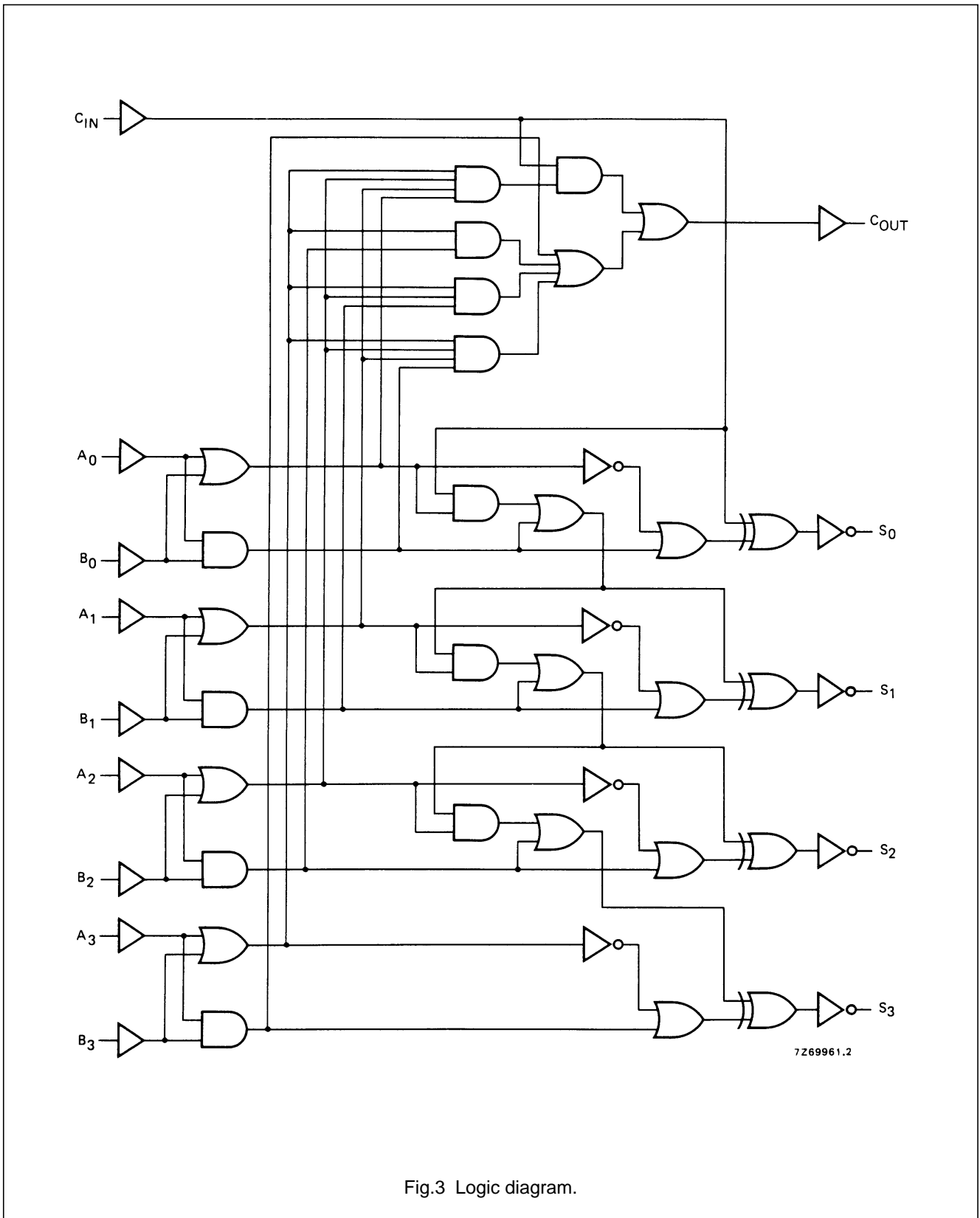


Fig.3 Logic diagram.

## 4-bit binary full adder

HEF4008B  
MSI**AC CHARACTERISTICS** $V_{SS} = 0\text{ V}$ ;  $T_{amb} = 25\text{ °C}$ ;  $C_L = 50\text{ pF}$ ; input transition times  $\leq 20\text{ ns}$ 

	$V_{DD}$ V	SYMBOL	MIN.	TYP.	MAX.	TYPICAL EXTRAPOLATION FORMULA	
Propagation delays sum in $\rightarrow$ sum out HIGH to LOW	5	$t_{PHL}$		150	300	ns	123 ns + (0,55 ns/pF) $C_L$
	10		55	110	ns	44 ns + (0,23 ns/pF) $C_L$	
	15		40	80	ns	32 ns + (0,16 ns/pF) $C_L$	
LOW to HIGH	5	$t_{PLH}$		135	270	ns	108 ns + (0,55 ns/pF) $C_L$
	10		55	110	ns	44 ns + (0,23 ns/pF) $C_L$	
	15		40	80	ns	32 ns + (0,16 ns/pF) $C_L$	
sum in $\rightarrow$ $C_{OUT}$ HIGH to LOW	5	$t_{PHL}$		125	250	ns	98 ns + (0,55 ns/pF) $C_L$
	10		50	100	ns	39 ns + (0,23 ns/pF) $C_L$	
	15		35	70	ns	27 ns + (0,16 ns/pF) $C_L$	
LOW to HIGH	5	$t_{PLH}$		100	200	ns	73 ns + (0,55 ns/pF) $C_L$
	10		45	90	ns	34 ns + (0,23 ns/pF) $C_L$	
	15		30	60	ns	22 ns + (0,16 ns/pF) $C_L$	
$C_{IN} \rightarrow$ sum out HIGH to LOW	5	$t_{PHL}$		130	260	ns	103 ns + (0,55 ns/pF) $C_L$
	10		50	100	ns	39 ns + (0,23 ns/pF) $C_L$	
	15		35	70	ns	27 ns + (0,16 ns/pF) $C_L$	
LOW to HIGH	5	$t_{PLH}$		115	230	ns	88 ns + (0,55 ns/pF) $C_L$
	10		50	100	ns	39 ns + (0,23 ns/pF) $C_L$	
	15		35	70	ns	27 ns + (0,16 ns/pF) $C_L$	
$C_{IN} \rightarrow C_{OUT}$ HIGH to LOW	5	$t_{PHL}$		90	180	ns	63 ns + (0,55 ns/pF) $C_L$
	10		35	70	ns	24 ns + (0,23 ns/pF) $C_L$	
	15		25	50	ns	17 ns + (0,16 ns/pF) $C_L$	
LOW to HIGH	5	$t_{PLH}$		75	150	ns	48 ns + (0,55 ns/pF) $C_L$
	10		35	70	ns	24 ns + (0,23 ns/pF) $C_L$	
	15		25	50	ns	17 ns + (0,16 ns/pF) $C_L$	
Output transition times HIGH to LOW	5	$t_{THL}$		60	120	ns	10 ns + (1,0 ns/pF) $C_L$
	10		30	60	ns	9 ns + (0,42 ns/pF) $C_L$	
	15		20	40	ns	6 ns + (0,28 ns/pF) $C_L$	
LOW to HIGH	5	$t_{TLH}$		60	120	ns	10 ns + (1,0 ns/pF) $C_L$
	10		30	60	ns	9 ns + (0,42 ns/pF) $C_L$	
	15		20	40	ns	6 ns + (0,28 ns/pF) $C_L$	

4-bit binary full adder

HEF4008B  
MSI

	V <sub>DD</sub> V	TYPICAL FORMULA FOR P (μW)	
Dynamic power dissipation per package (P)	5 10 15	1 500 f <sub>i</sub> + ∑ (f <sub>o</sub> C <sub>L</sub> ) × V <sub>DD</sub> <sup>2</sup> 6 000 f <sub>i</sub> + ∑ (f <sub>o</sub> C <sub>L</sub> ) × V <sub>DD</sub> <sup>2</sup> 13 500 f <sub>i</sub> + ∑ (f <sub>o</sub> C <sub>L</sub> ) × V <sub>DD</sub> <sup>2</sup>	where f <sub>i</sub> = input freq. (MHz) f <sub>o</sub> = output freq. (MHz) C <sub>L</sub> = load capacitance (pF) ∑ (f <sub>o</sub> C <sub>L</sub> ) = sum of outputs V <sub>DD</sub> = supply voltage (V)

APPLICATION INFORMATION

