

Silicon NPN Power Transistors

2SD1830

DESCRIPTION

- With TO-220F package
- Complement to type 2SB1228
- High DC current gain.
- Large current capacity and wide ASO.
- Low saturation voltage.
- DARLINGTON

APPLICATIONS

- Suitable for use in control of motor drivers, printer hammer drivers, relay drivers, and constant-voltage regulators.

PINNING

PIN	DESCRIPTION
1	Base
2	Collector
3	Emitter

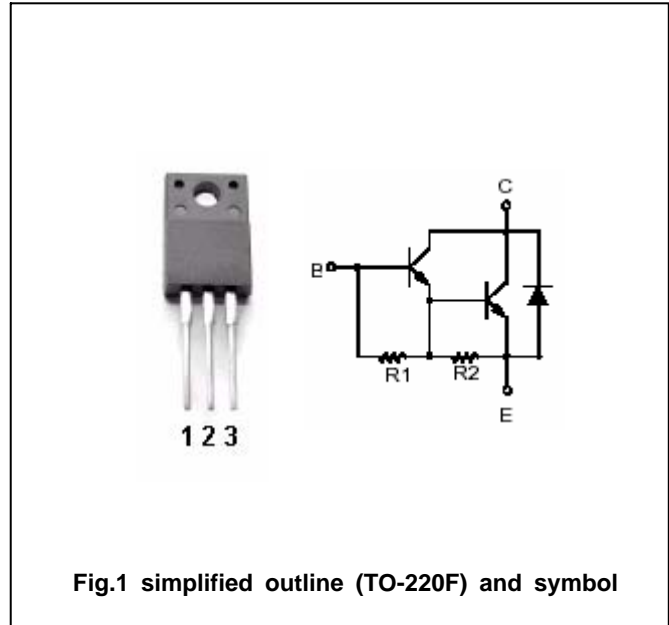


Fig.1 simplified outline (TO-220F) and symbol

Absolute maximum ratings (Ta=25)

SYMBOL	PARAMETER	CONDITIONS	VALUE	UNIT
V _{CBO}	Collector-base voltage	Open emitter	110	V
V _{CEO}	Collector-emitter voltage	Open base	100	V
V _{EBO}	Emitter-base voltage	Open collector	6	V
I _C	Collector current		8	A
I _{CM}	Collector current-peak		12	A
P _C	Collector dissipation	T _C =25	20	W
			2	
T _j	Junction temperature		150	
T _{stg}	Storage temperature		-55~150	

Silicon NPN Power Transistors

2SD1830

CHARACTERISTICS

T_j=25 unless otherwise specified

SYMBOL	PARAMETER	CONDITIONS	MIN	TYP.	MAX	UNIT
V _{(BR)CBO}	Collector-base breakdown voltage	I _C =5mA; I _E =0	110			V
V _{(BR)CEO}	Collector-emitter breakdown voltage	I _C =50mA; R _{BE} =	100			V
V _{CEsat}	Collector-emitter saturation voltage	I _C =4A ; I _B =8mA		0.9	1.5	V
V _{BEsat}	Base-emitter saturation voltage	I _C =4A ; I _B =8mA			2.0	V
I _{CBO}	Collector cut-off current	V _{CB} =80V; I _E =0			0.1	mA
I _{EBO}	Emitter cut-off current	V _{EB} =5V; I _C =0			3.0	mA
h _{FE}	DC current gain	I _C =4A ; V _{CE} =3V	1500	4000		
f _T	Transition frequency	I _C =4A ; V _{CE} =5V		20		MHz

Switching times

t _{on}	Turn-on time	I _C =500I _{B1} =-500I _{B2} =4A V _{CC} =50V ,R _L =12.5		0.6		μs
t _{stg}	Storage time			4.8		μs
t _f	Fall time			1.6		μs

Silicon NPN Power Transistors

2SD1830

PACKAGE OUTLINE

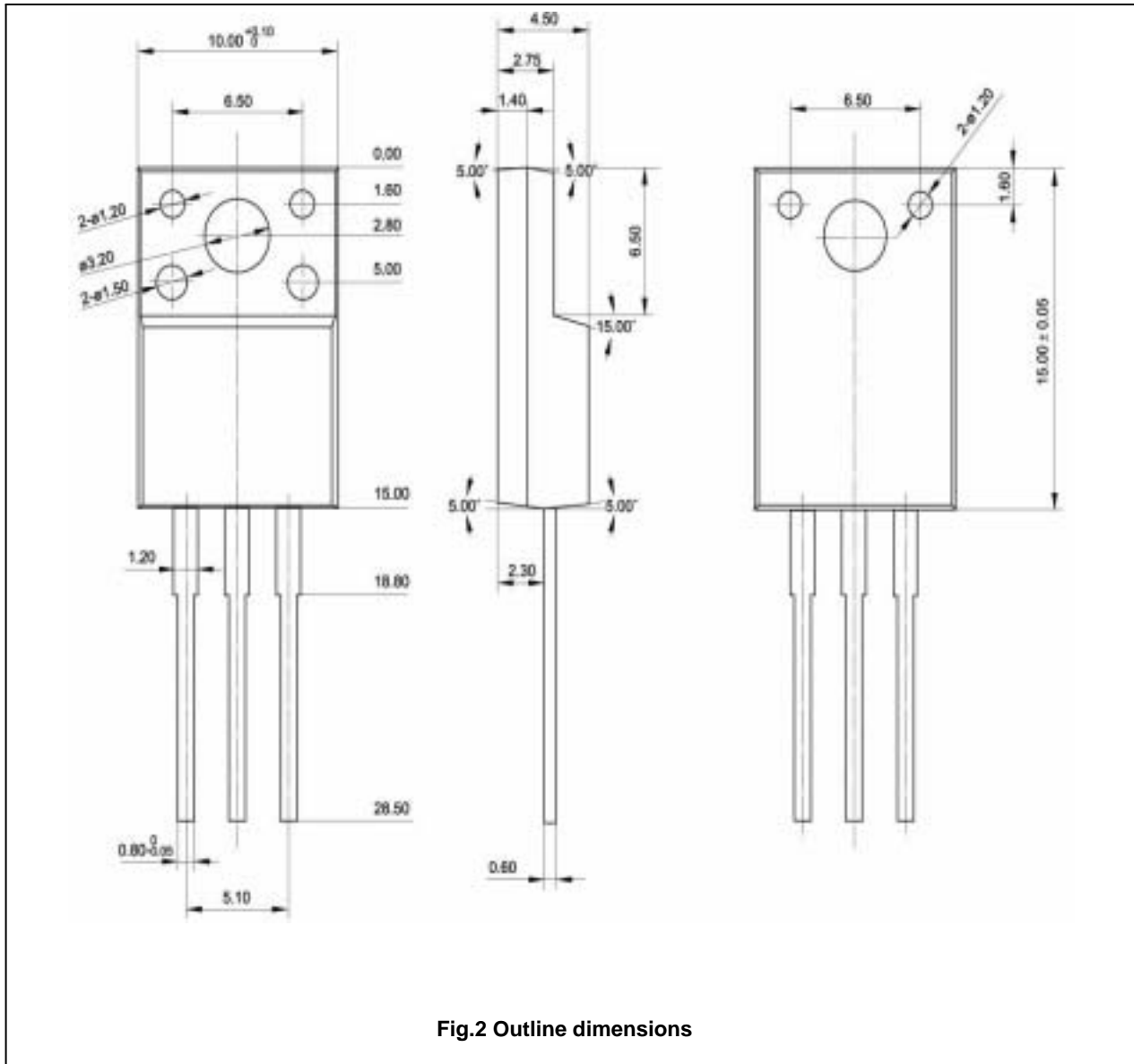


Fig.2 Outline dimensions