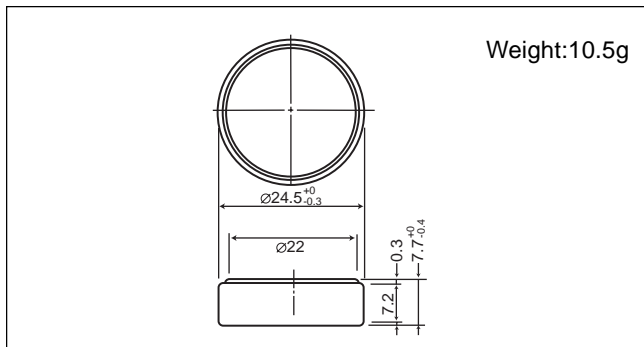


# Manganese Dioxide Lithium Coin Batteries: Individual Specifications

## CR2477

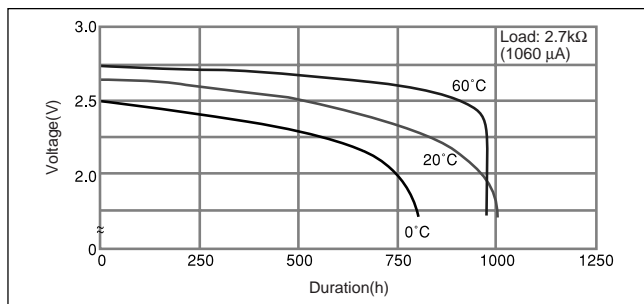
### ■ Dimensions(mm)



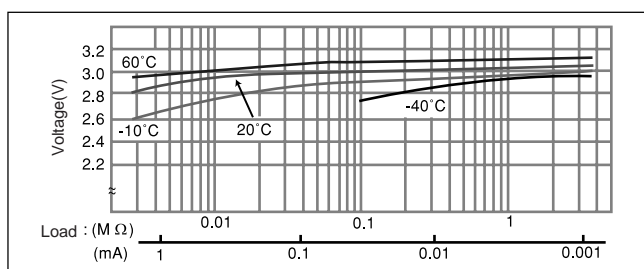
### ■ Specification

|                               |           |
|-------------------------------|-----------|
| Nominal voltage (V)           | 3         |
| Nominal capacity (mAh)        | 1,000     |
| Continuous standard load (mA) | 0.2       |
| Operating temperature (C)     | -30 ~ +60 |

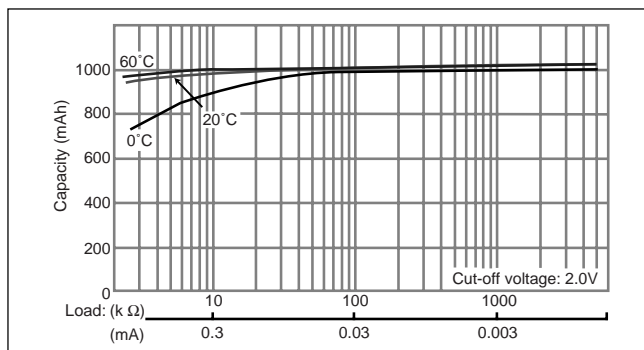
### ■ Temperature Characteristics



### ■ Operating voltage vs. load resistance (voltage at 50% discharge depth)

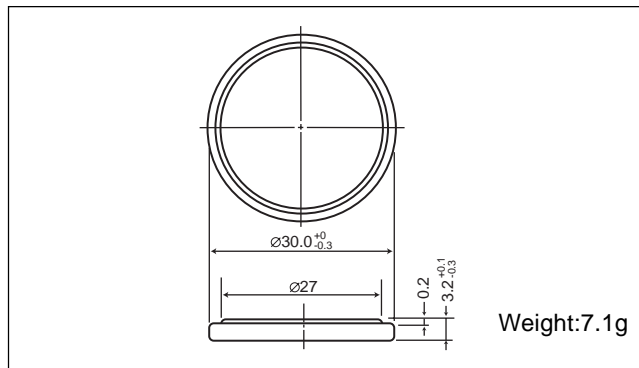


### ■ Capacity vs. load resistance



## CR3032

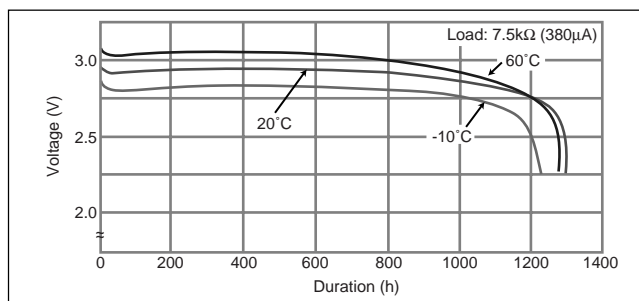
### ■ Dimensions(mm)



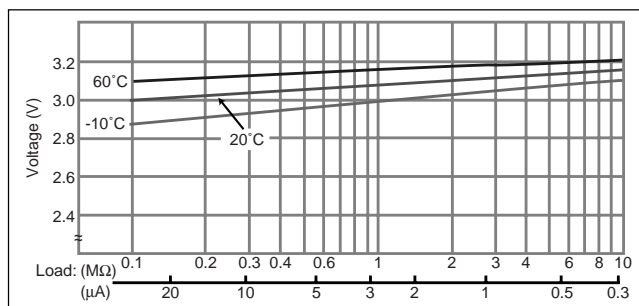
### ■ Specification

|                               |           |
|-------------------------------|-----------|
| Nominal voltage (V)           | 3         |
| Nominal capacity (mAh)        | 500       |
| Continuous standard load (mA) | 0.2       |
| Operating temperature (C)     | -30 ~ +60 |

### ■ Temperature Characteristics



### ■ Operating voltage vs. load resistance (voltage at 50% discharge depth)



### ■ Capacity vs. load resistance

