

# HV Multiplier Outlines (cont'd)

Fig. H3

ECG  
500A  
522

MOUNTING SLOTS -  
.187" WIDE  
.406" LONG  
3.375"  $\phi$  to  $\phi$

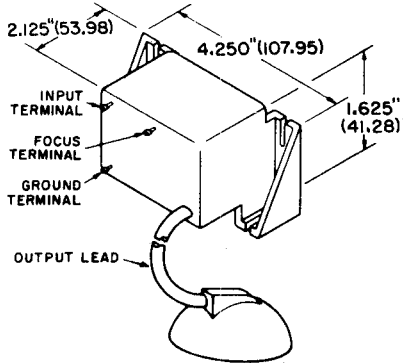


Fig. H4

ECG521

MOUNTING SLOTS -  
4.8 WIDE  
10.3 LONG  
78.7  $\phi$  to  $\phi$

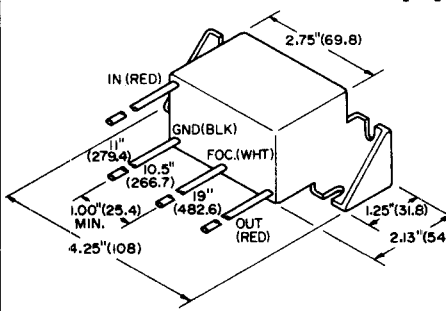


Fig. H5

ECG534

MOUNTING SLOTS - .19" (4.83) WIDE  
3.38" (85.85)  $\phi$  to  $\phi$

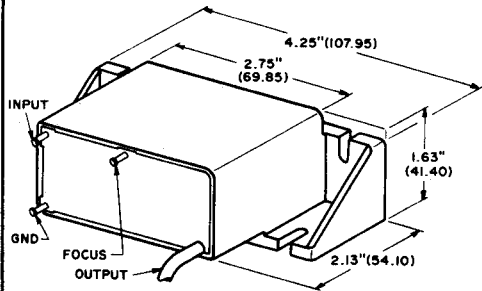


Fig. H6  
ECG550

MOUNTING SLOTS  
.19" (4.83) Wide  
.40" (10.2) Long  
3.38" (85.8)  $\phi$  to  $\phi$

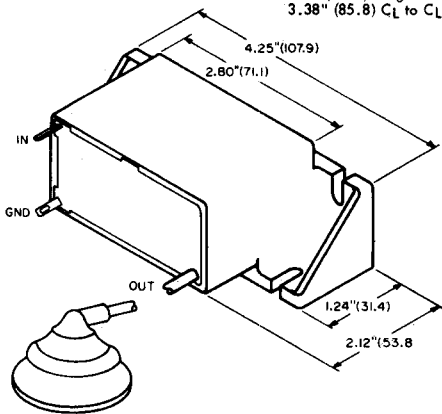


Fig. H7

ECG  
531  
532  
533  
537

MOUNTING HOLES -  
.19" (4.83) DIA.  
.19" (4.83) x .25" (6.35)  
3.375" (85.7)  $\phi$  to  $\phi$

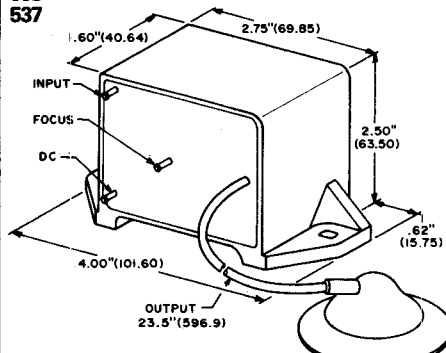


Fig. H8

ECG536A

MOUNTING HOLES -  
.19" (4.83) DIA.  
.19" (4.83) x .25" (6.35)  
3.375" (85.7)  $\phi$  to  $\phi$

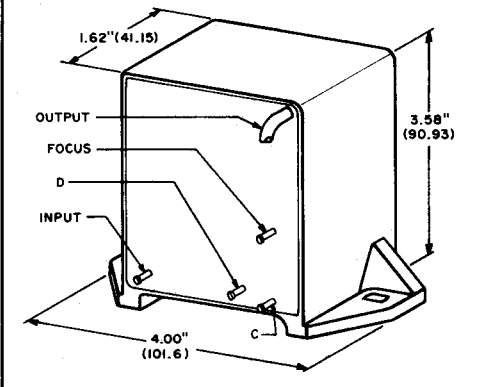
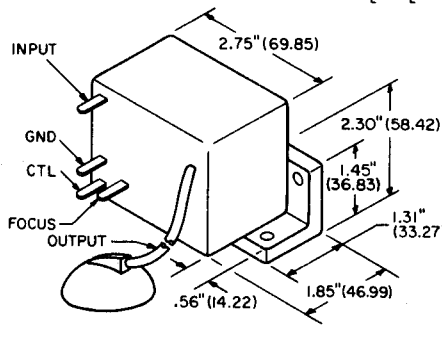


Fig. H9

ECG523/3306•

MOUNTING HOLES -  
.19" (4.83) x .25" (6.35)  
3.39" (86.11)  $\phi$  to  $\phi$

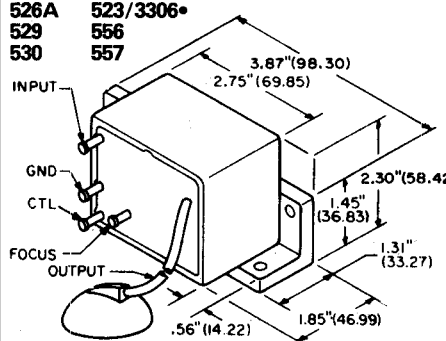


• Alt. Fig. H10

Fig. H10

ECG  
526A  
529  
530  
557

MOUNTING HOLES - .19" (4.83) DIA.  
3.38" (85.85)  $\phi$  to  $\phi$



• Alt. Fig. H9

Fig. H11

ECG535

MOUNTING HOLES - .19" (4.83) DIA.  
3.38" (85.85)  $\phi$  to  $\phi$

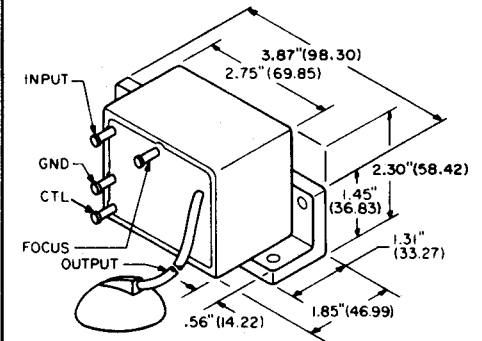


Fig. H12

ECG564

MOUNTING HOLES - .19" (4.83) DIA.  
3.38" (85.85)  $\phi$  to  $\phi$

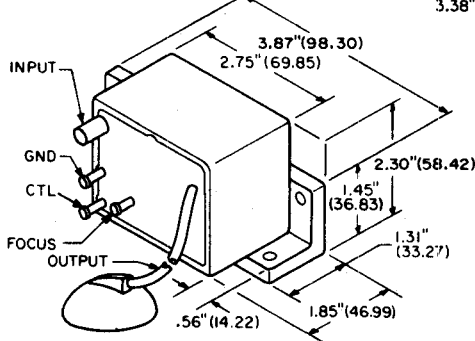


Fig. H13

ECG  
565

MOUNTING HOLES - .19" (4.83) DIA.  
3.38" (85.85)  $\phi$  to  $\phi$

