

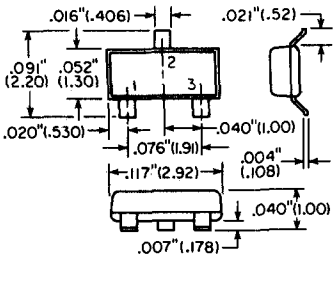
Transistor Outlines (cont'd)

Fig. T20-4

SOT-23

ECG

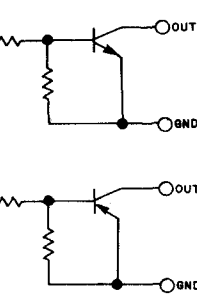
- 2401 2411
- 2402 2412
- 2403 2413
- 2404 2414*
- 2405 2415*
- 2406 2416*
- 2407 2417*
- 2408 2418*
- 2409 2419*
- 2410



CIRCUITS

NPN

PNP



1. BASE
2. COLLECTOR
3. EMITTER

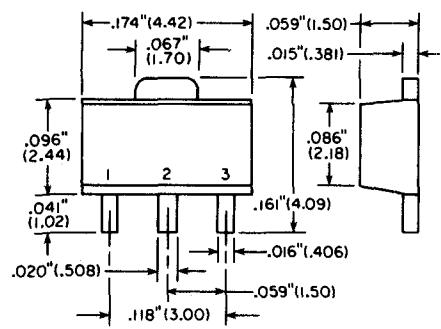
* DIGITAL TRANSISTORS
1. IN
2. OUT
3. GND

Fig. T20-5

SOT-89

ECG

- 2426
- 2427
- 2428
- 2429
- 2430
- 2431



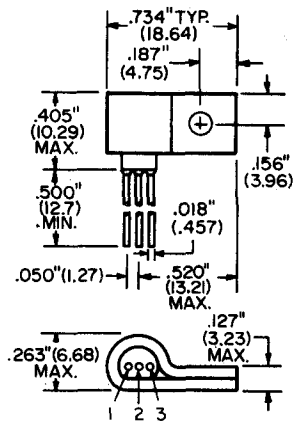
1. BASE
2. COLLECTOR
3. EMITTER

Fig. T21

TO-92HS

ECG

- 192
- 193



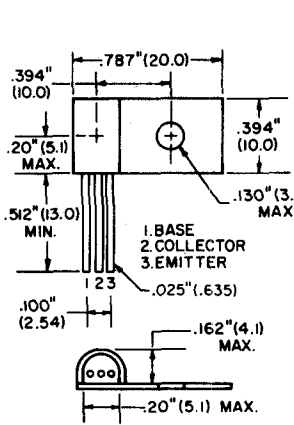
1 - C
2 - B
3 - E

Fig. T22

T-16HS

ECG

- 192A
- 193A



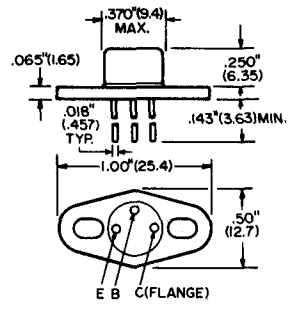
1. BASE
2. COLLECTOR
3. EMITTER

Fig. T23

TO-39F

ECG

- 224
- 225



E B C (FLANGE)

Fig. T24

TO-39HS

ECG

- 237

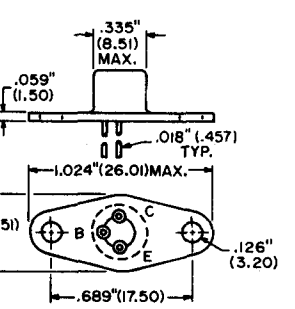
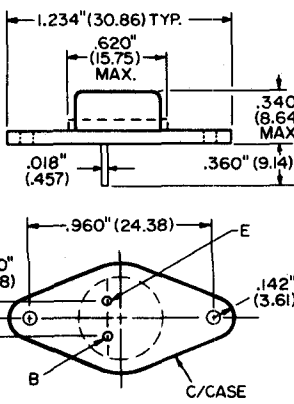


Fig. T25

TO-66

ECG

- 38
- 124
- 175
- 218
- 274
- 275
- 286
- 321
- 369
- 384



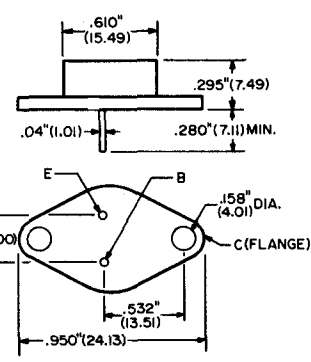
E
B
C/CASE

Fig. T26

TC-9A

ECG

- 226



E B C (FLANGE)

Fig. T27

TC-9

ECG

- 131
- 155

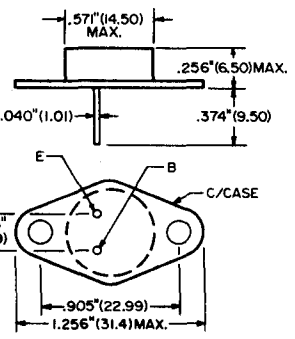


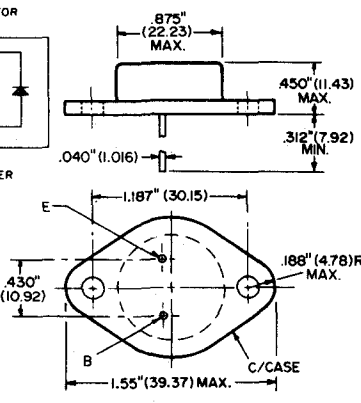
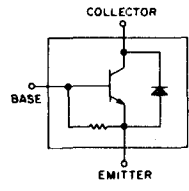
Fig. T28

TO-3

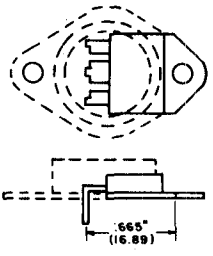
ECG

- 52 162 251
- 53 163A 252
- 60 164 280
- 61 165 281
- 68 179 283
- 96 180 284
- 87 181 285
- 88 219 327
- 89* 238 328
- 94 243 385
- 97 244 386
- 98 245 388
- 99 246 389
- 104 247 2319
- 121 248 2384*
- 127 249 2386*
- 130 250 2392*

* Internal Circuit for ECG89
RBE ≈ 27 Ω



Mechanical Interchangeability of Plastic Package with TO-3 Case.



* Basing - SGD