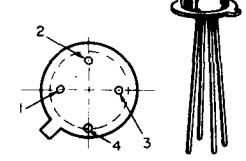

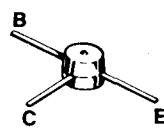
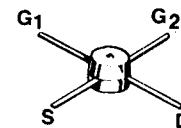


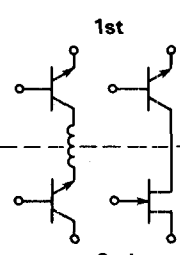
# TV Tuner Transistor Selector Guide

The following Selector Guide has been prepared to aid in the servicing of UHF and VHF TV tuners. These tuners have been classified into two types: the Varactor (electronically tuned tuners) and the Mechanical tuners (individually tuned coils for each TV channel). A wide variety of tuner circuit designs are used, many of which require special transistor characteristics. To simplify the selection of a replacement transistor, follow these steps:

1. Determine tuner type and stage to the Selector Guide that matches the one being repaired.
2. Determine the polarity (NPN, PNP, N-Ch) - **ALL** replacements are NPN unless otherwise listed in this guide.
3. Select the proper basing required for the device.
4. Select the case style of the transistor.

<p><b>TO-72</b> Fig. T4</p> 	<p><b>TO-92</b> Fig. T16</p> 
<p><b>RF-15</b> Fig. T49</p> 	<p><b>RF-15A</b> Fig. T49-1</p> 

## Varactor Tuners (Electronic Color TV Tuners) UHF/VHF Tuners

<p><b>R.F. Stage</b></p> <p><b>UHF</b></p> <p>ECG454 - DG<sub>2</sub>G<sub>1</sub>S, Case (FET, N-Ch, TO-72)</p> <p>ECG107 - ECB (TO-92)</p> <p>ECG69 - BEC (TO-92)</p> <p>ECG395 - EBC Case (PNP, TO-92)</p> <p>ECG455 - G<sub>2</sub>G<sub>1</sub>SD (FET, N-Ch, RF-15A)</p>	<p><b>Single Mixer Stage</b></p> <p>ECG222 - DG<sub>2</sub>G<sub>1</sub>S, Case (FET, N-Ch, TO-72)</p> <p>ECG107 - ECB (TO-92)</p> <p>ECG69 - BEC (TO-92)</p> <p><b>UHF Diode Mixer</b> ECG112</p>	<p><b>OSC Stage</b></p> <p>ECG107 - ECB (TO-92)</p> <p>ECG69 - BEC (TO-92)</p> <p>ECG395 - EBC Case (PNP, TO-72)</p>	<p><b>Tuning Diodes</b> (4 Matched) ECG616</p>
<p><b>VHF</b></p> <p>ECG222 - DG<sub>2</sub>G<sub>1</sub>S, Case (FET, N-Ch, TO-72)</p> <p>ECG107 - ECB (TO-92)</p> <p>ECG69 - BEC (TO-92)</p> <p>ECG395 - EBC Case (PNP, TO-72)</p> <p>ECG454 - DG<sub>2</sub>G<sub>1</sub>S, Case (FET, N-Ch, TO-72)</p>	<p><b>Dual Mixers</b></p>  <p>1st ECG229 - BEC (TO-92)</p> <p>2nd ECG107 - ECB (TO-92)</p> <p>2nd ECG229 - BEC (TO-92)</p> <p>2nd ECG312 - GSD (TO-92) (FET, N-Ch, D &amp; S Interchangeable)</p>	<p><b>IF Amp Stage</b> (Located in Tuner)</p> <p>ECG107 - ECB (TO-92)</p> <p>ECG108 - EBC (TO-92)</p> <p>ECG161 - EBC Case (TO-72)</p> <p>ECG229 - BEC (TO-92)</p>	<p><b>Switching Diodes</b> ECG553 ECG555</p>

Package Outlines - See Page 1-78