



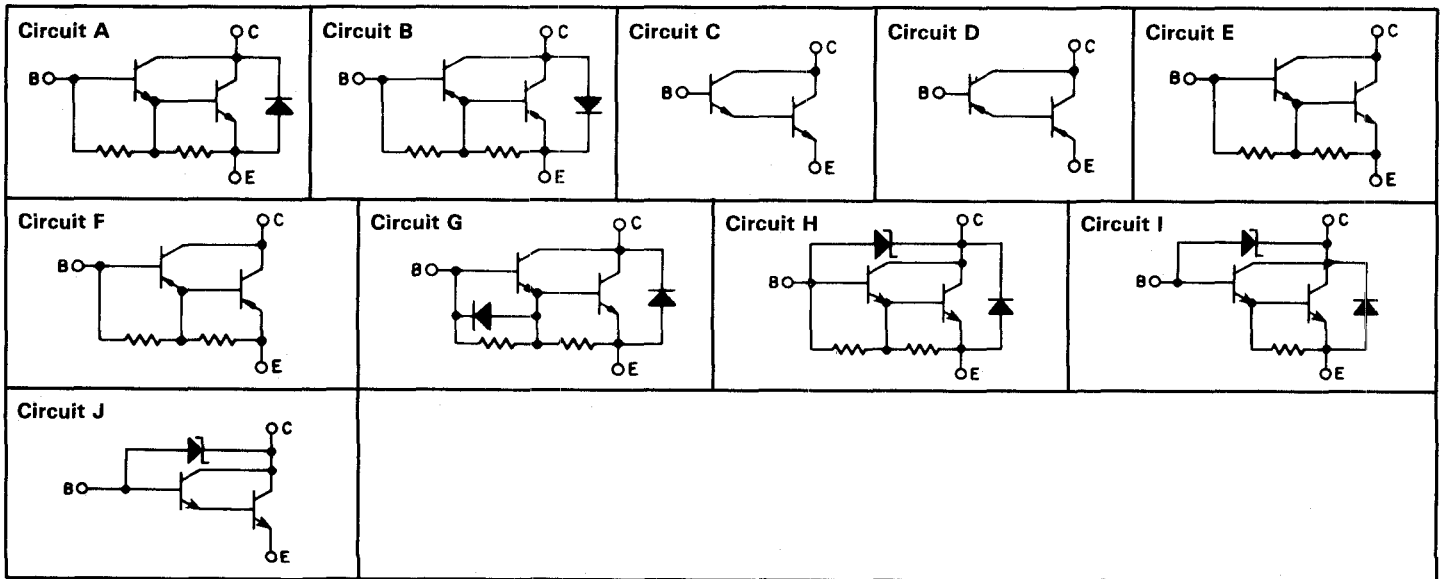


Darlington Power Transistors (cont'd)

Description		Collector To Base Volts BV _{CB0}	Collector To Emitter Volts BV _{CE0}	Emitter To Base Volts BV _{EB0}	Max. Collector Current I _C Amps	Max. Base Current I _B mA	Max. Device Diss. P _D Watts	Typ Current Gain h _{FE}	NPN/PNP Equivalent Circuit	Package
NPN	PNP									Case/Fig./Basing
ECG2345	ECG2346	120	120	5	6	150	60	750 min	A/B	SOT-82 Fig. T45-2 METAL CONTACT CONNECTS TO COLLECTOR 
ECG2340	---	60 ± 10	60 ± 10	7	8	---	45	2,000 min	I	TO-126N Fig. T45-1 ECG2351 and ECG2352 use Fig. T70  METAL CONTACT CONNECTS TO COLLECTOR
ECG2351	ECG2352	100	80	5	4	---	15	1,000 min	A/B	
ECG265	---	50	50	13	0.5	---	6.25	10,000 min	C	TO-202 Fig. T38 TAB CONNECTS TO COLLECTOR 
ECG266	---	50	50	13	0.5	---	6.25	40,000 min	C	
ECG267	---	30	30	13	0.5	---	6.25	90,000 min	C	
ECG268	ECG269	50	50	13	2	---	10	1,000 min	C/D	
ECG272	ECG273	50	40	12	2	---	10	25,000 min	C/D	TO-202N Fig. T36 TAB CONNECTS TO COLLECTOR 

Darlington Power Transistor Circuits



Package Outlines - See Page 1-78