

# HARDWARE & ACCESSORIES

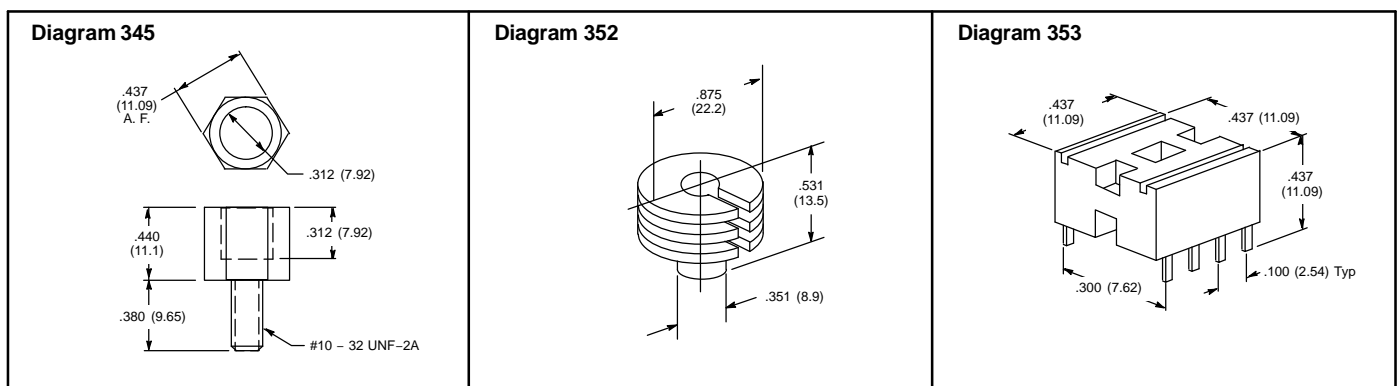
| NTE Type Number | Diagram Number | Quantity Per Pkg | <b>SEMICONDUCTOR HEAT SINKS</b>   |
|-----------------|----------------|------------------|---|
| NTE400          | 362            | 2                | Heat Sink for TO5/TO39 Type Package   |
| NTE401          | 352            | 2                | Heat Sink for TO5/TO39 Type Package   |
| NTE402          | 363            | 2                | Heat Sink for Mounting 2 Plastic Power Types (TO3P, TO126, TO127, TO202, TO218, TO220)                |
| NTE403          | 364            | 2                | Heat Sink for Mounting 1 Plastic Power Type (TO3P, TO126, TO127, TO202, TO218, TO220)                 |
| NTE404          | 365            | 1                | Heat Sink for TO66 Type Package (Includes Base and Top Piece)   |
| NTE405          | 366            | 1                | Heat Sink for TO3 Type Package (Includes Base and Top Piece)  |
| NTE406          | 373            | 2                | Heat Sink for TO202 Type Package  |
| NTE406A         | 727            | 2                | Heat Sink for TO220 Type Package  |
| NTE410          | 354            | 2                | Heat Sink for TO1 Type Package  |
| NTE411          | 345            | 2                | Stud Mount Heat Sink for TO5/TO39 Type Package  |
| NTE412          | 367            | 2                | Heat Sink for TO18 Type Package   |
| NTE440A         | 520            | 1                | Heat Sink, Undrilled Mounting Surface   |
| NTE440B         | 520            | 1                | Heat Sink, Drilled Mounting Surface for TO3, TO48, TO66, TO126, TO127, TO220, DO5 Type Packages       |
| NTE440C         | 520            | 1                | Heat Sink, Drilled Mounting Surface for TO3, TO36, TO64, DO4 Type Packages                            |
| NTE441A         | 521            | 1                | Heat Sink, Drilled Mounting Surface for Solid State Relays  |
| NTE441B         | 521            | 1                | Heat Sink, Undrilled Mounting Surface   |
| NTE442C         | -              | 1                | Heat Sink, Undrilled Mounting Surface   |
| NTE448B         | 425            | 2                | Heat Sink for 14/16 Lead DIP Type Package   |
| NTE448E         | 426            | 2                | Heat Sink for 24 Lead DIP Type Package  |
| NTE448G         | 427            | 2                | Heat Sink for 40 Lead DIP Type Package  |
| NTE450A         | 420            | 1                | Heat Sink for 14 Lead DIP Type Package  |
| NTE493          | 612            | 1                | Heat Sink for TO126 Type Package  |
| NTE494          | 613            | 1                | Heat Sink for TO220 Type Package  |
| NTE495          | 614            | 1                | Heat Sink for Plastic Power Type Packages   |
| NTE496          | 615            | 1                | Heat Sink for Plastic Power Type Packages   |
| NTE497          | 616            | 1                | Heat Sink for TO220 Type Package  |
| NTE498          | 617            | 1                | Heat Sink for Plastic Power Type Packages   |
|                 |                |                  | <b>HEAT SINK COMPOUND</b>   |
| NTE303          | 482            | 5                | Silicone Thermal Compound, 1 Gram/Tube  |
| NTE303A         | 623            | 1                | Silicone Thermal Compound, 1 oz/Plunger Tube  |
| NTE424          | 623            | 1                | Non-Silicone Heat Sink Compound, 1 oz/Plunger Tube  |
| NTE425          | -              | 3                | Thermal Interface Pad, Self-Adhesive, 1.65" x 1.65"   |
| NTE434          | 624            | 1                | Non-Corrosive Adhesive/Sealant, 2 oz/Squeeze Tube   |
|                 |                |                  | <b>INSULATOR KITS</b><br>(Each Kit Includes Mica Insulator & Nylon Bushings)                          |
| NTE413          | -              | 2                | Insulator Kit for TO3 Type Package  |
| NTE414          | -              | 2                | Insulator Kit for TO36 Type Package (Includes Lock Washer, Solder Lug, and Nut)                       |
| NTE415          | -              | 2                | Insulator Kit for TO66 Type Package   |
| NTE422          | -              | 2                | Insulator Kit for TO220 (Plastic TO66) Type Package   |
| NTE438          | -              | 1                | Insulator Kit for DO4/TO64 Stud Type Package (Includes Flat Washer, Solder Lug, and Nut)              |
| NTE439          | -              | 1                | Insulator Kit for DO5/TO48 Stud Type Package (Includes Flat Washer, Lock Washer, Solder Lug, and Nut) |
|                 |                |                  | <b>SOCKETS</b>  |
| NTE209          | 355            | 2                | Socket for TO3 Type Package   |
| NTE409          | 356            | 2                | Socket for 14 Lead DIP Type Package   |
| NTE416          | 357            | 2                | Socket for 16 Lead DIP Type Package   |
| NTE417          | 368            | 2                | Socket for 3 Lead TO18/TO92 Type Package  |
| NTE419          | 370            | 2                | Socket for 3 Lead TO5/TO39 Type Package ( <b>NOTE:</b> Housing color may vary)                        |
| NTE421          | 372            | 2                | Socket for TO66 Type Package  |
| NTE423          | 353            | 2                | Socket for 8 Lead DIP Type Package  |

See Diagrams, beginning on Page 1-377

# HARDWARE & ACCESSORIES

| NTE Type Number | Diagram Number | Quantity Per Pkg | SOCKETS (Cont'd)   |
|-----------------|----------------|------------------|--|
| NTE428          | 358            | 2                | Socket for 24 Lead DIP Type Package                                  |
| NTE429          | 359            | 2                | Socket for 28 Lead DIP Type Package                                  |
| NTE430          | 360            | 1                | Socket for 40 Lead DIP Type Package                                  |
| NTE435K28       | 561            | 2                | Socket for 28 Lead DIP Type Package, 0.070 (1.78) Lead Spacing       |
| NTE435K30       | 562            | 2                | Socket for 30 Lead DIP Type Package, 0.070 (1.78) Lead Spacing       |
| NTE435K42       | 563            | 1                | Socket for 42 Lead DIP Type Package, 0.070 (1.78) Lead Spacing       |
| NTE435K52       | 632            | 1                | Socket for 52 Lead DIP Type Package, 0.070 (1.78) Lead Spacing       |
| NTE435K64       | 564            | 1                | Socket for 64 Lead DIP Type Package, 0.070 (1.78) Lead Spacing       |
| NTE435P6        | 524            | 2                | Socket for 6 Lead DIP Type Package                                   |
| NTE435P18       | 374            | 2                | Socket for 18 Lead DIP Type Package                                  |
| NTE435P20       | 375            | 2                | Socket for 20 Lead DIP Type Package                                  |
| NTE435P22       | 376            | 2                | Socket for 22 Lead DIP Type Package                                  |
| NTE435P42       | 588            | 1                | Socket for 42 Lead DIP Type Package                                  |
| NTE436W8        | 525            | 2                | Socket for 8 Lead DIP Type Package, Wire Wrap Leads                  |
| NTE436W14       | 526            | 2                | Socket for 14 Lead DIP Type Package, Wire Wrap Leads                 |
| NTE436W16       | 527            | 2                | Socket for 16 Lead DIP Type Package, Wire Wrap Leads                 |
| NTE436W18       | 528            | 2                | Socket for 18 Lead DIP Type Package, Wire Wrap Leads                 |
| NTE436W20       | 529            | 1                | Socket for 20 Lead DIP Type Package, Wire Wrap Leads                 |
| NTE436W22       | 530            | 1                | Socket for 22 Lead DIP Type Package, Wire Wrap Leads                 |
| NTE436W24       | 531            | 1                | Socket for 24 Lead DIP Type Package, Wire Wrap Leads                 |
| NTE436W28       | 532            | 1                | Socket for 28 Lead DIP Type Package, Wire Wrap Leads                 |
| NTE436W40       | 533            | 1                | Socket for 40 Lead DIP Type Package, Wire Wrap Leads                 |
|                 |                |                  | <b>MOUNTING CLIPS</b>  |
| LED-MC          | 714            | 5                | Mounting Clip (2 Piece) for T-1 3/4 (5mm) LEDs                       |
| LED-MC2         | 715            | 5                | Mounting Clip for T-1 3/4 (5mm) LEDs                                 |
| LED-MC3         | 733            | 5                | Mounting Clip for T-1 (3mm) LEDs                                     |
| LED-MC8         | 731            | 3                | Mounting Clip for 8mm LEDs   |
| LED-MC10        | 732            | 3                | Mounting Clip for T-3 1/4 (10mm) LEDs                                |
|                 |                |                  | <b>HARDWARE</b>  |
| NTE426          | -              | 2                | Metric Hardware Kit TO220 Type Package (Includes 3mm Nuts and Bolts) |
| NTE432          | 361            | 2                | Thread Converter (Converts 3/8-24 to 1/2-20)                         |
| NTE433          | 418            | 1                | High Voltage Splices for CRT Anode Leads (40KV Insulation)           |

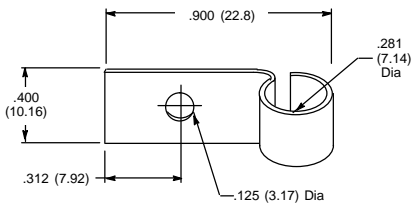
# DIMENSIONAL OUTLINE DRAWINGS



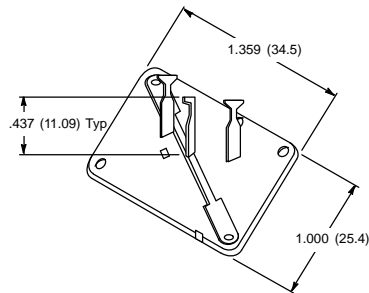
See Diagrams, beginning on Page 1-377

# DIMENSIONAL OUTLINE DRAWINGS

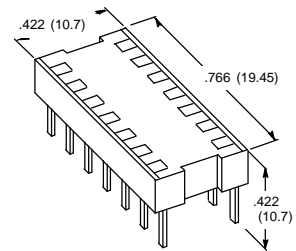
**Diagram 354**



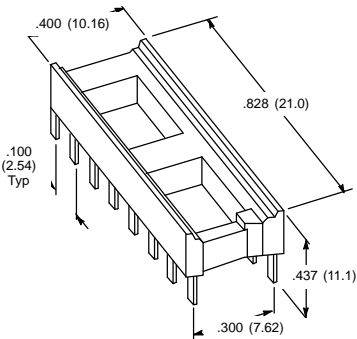
**Diagram 355**



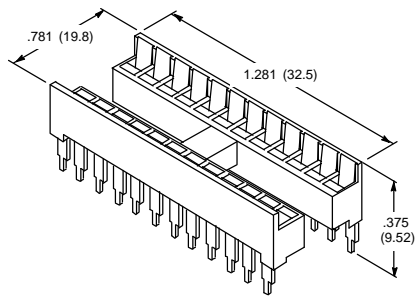
**Diagram 356**



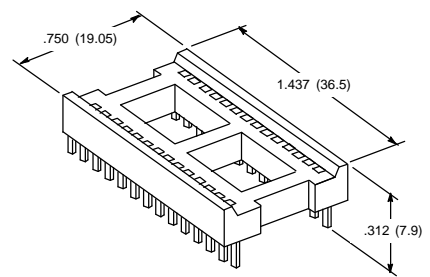
**Diagram 357**



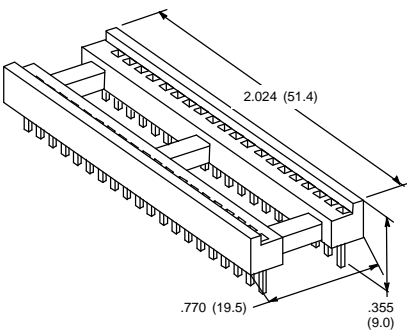
**Diagram 358**



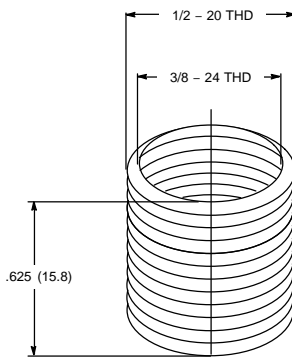
**Diagram 359**



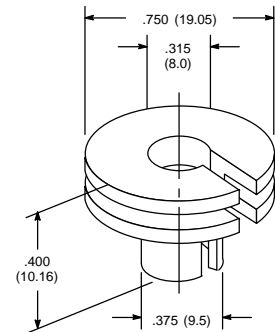
**Diagram 360**



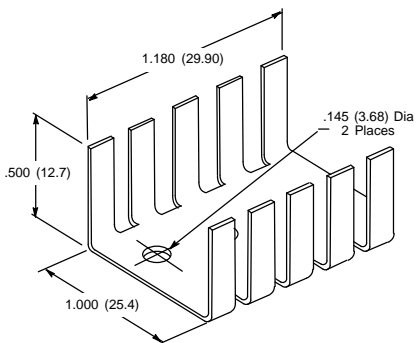
**Diagram 361**



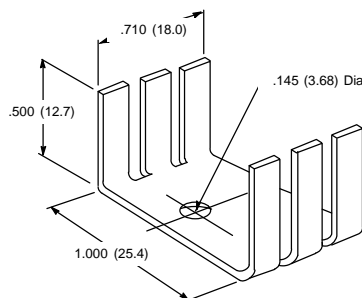
**Diagram 362**



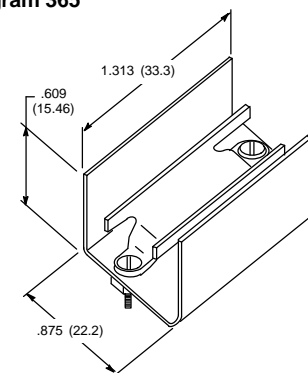
**Diagram 363**



**Diagram 364**

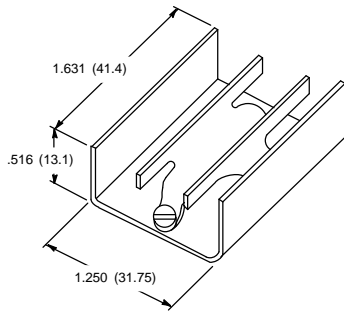


**Diagram 365**

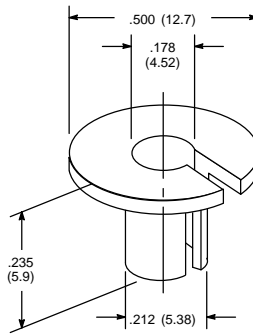


# DIMENSIONAL OUTLINE DRAWINGS

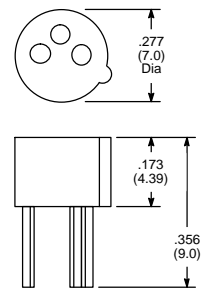
**Diagram 366**



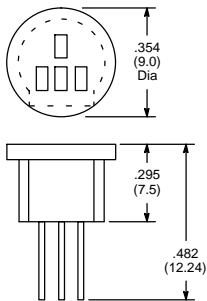
**Diagram 367**



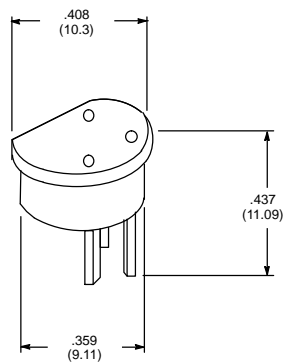
**Diagram 368**



**Diagram 369**

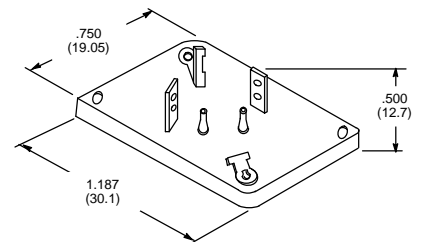


**Diagram 370**

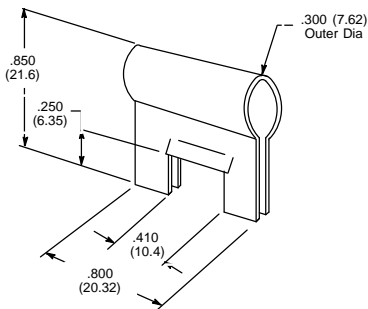


**NOTE:** May come with pin leads (PC mount) or solder lugs.  
Please consult factory before ordering.

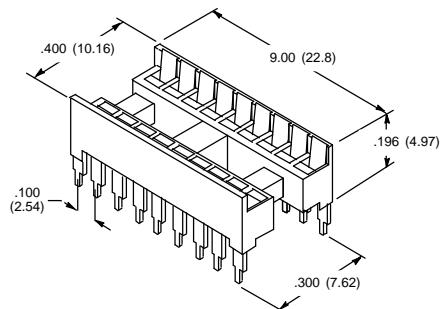
**Diagram 372**



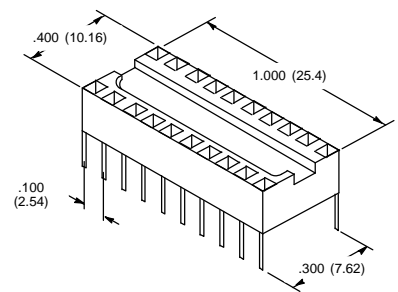
**Diagram 373**



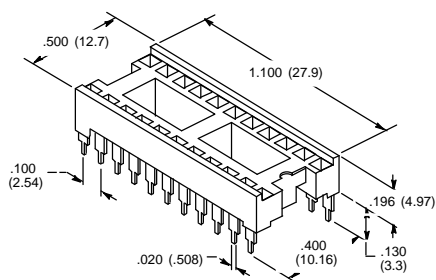
**Diagram 374**



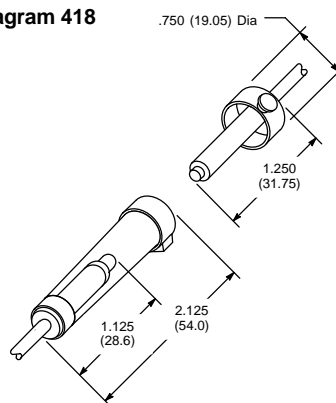
**Diagram 375**



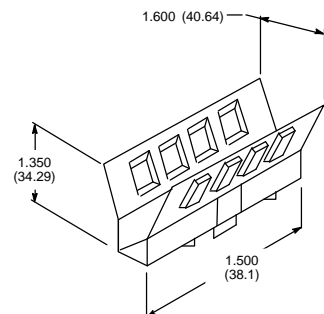
**Diagram 376**



**Diagram 418**

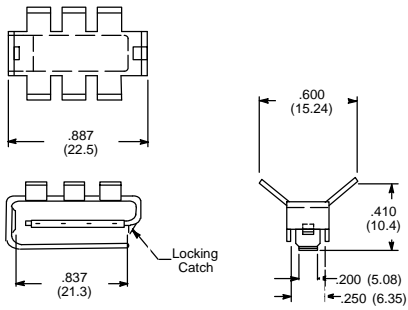


**Diagram 420**

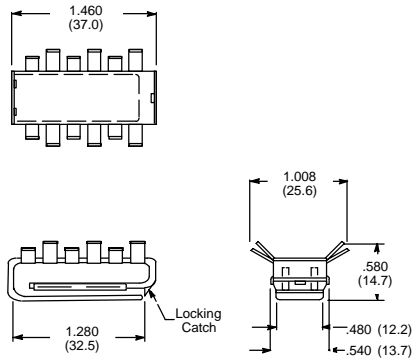


# DIMENSIONAL OUTLINE DRAWINGS

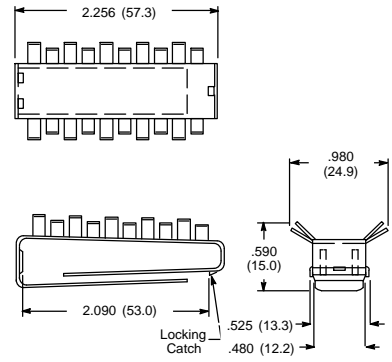
**Diagram 425**



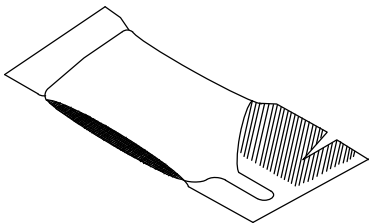
**Diagram 426**



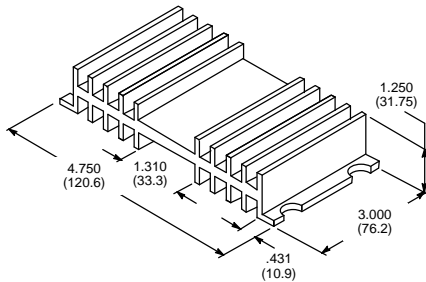
**Diagram 427**



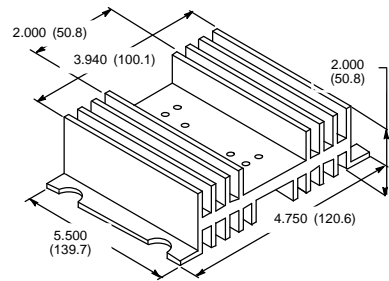
**Diagram 482**



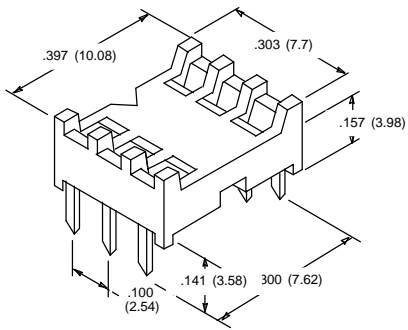
**Diagram 520**



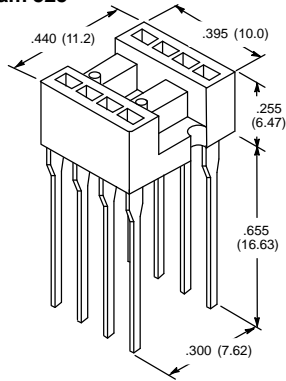
**Diagram 521**



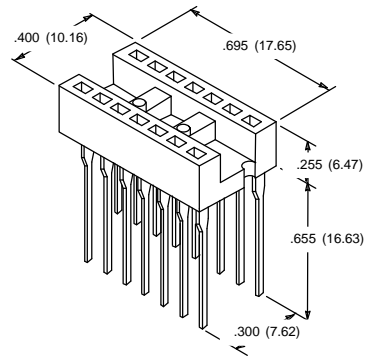
**Diagram 524**



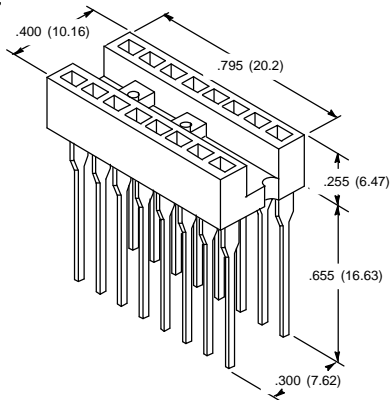
**Diagram 525**



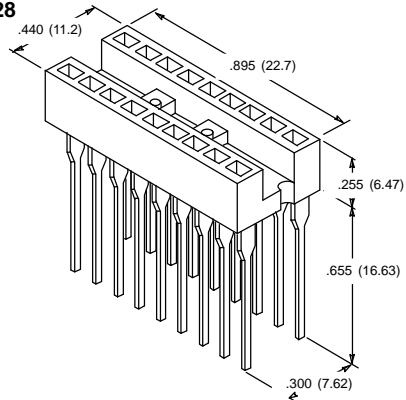
**Diagram 526**



**Diagram 527**

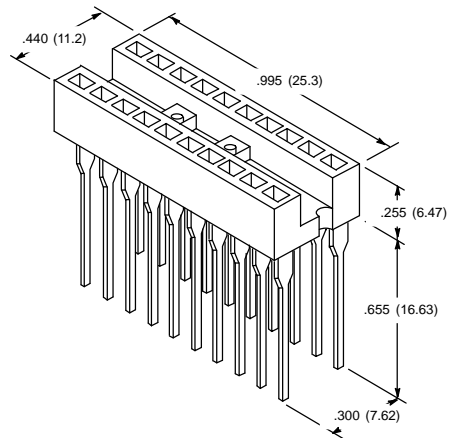


**Diagram 528**

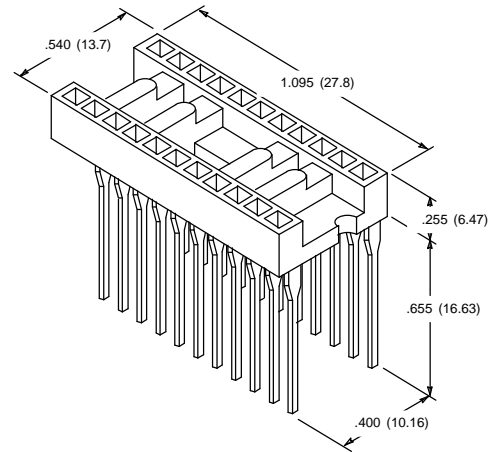


# DIMENSIONAL OUTLINE DRAWINGS

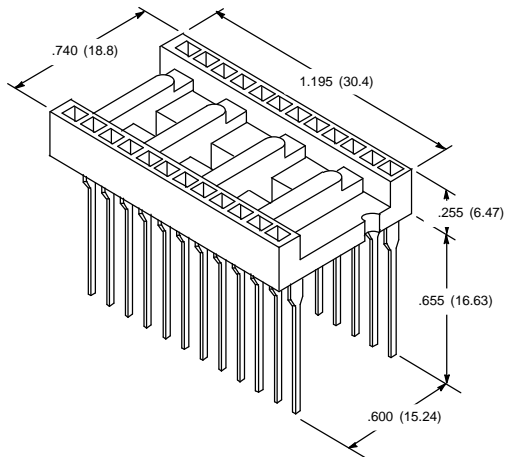
**Diagram 529**



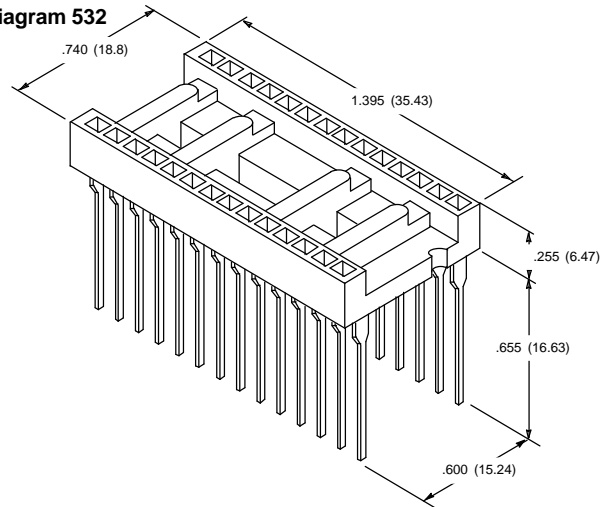
**Diagram 530**



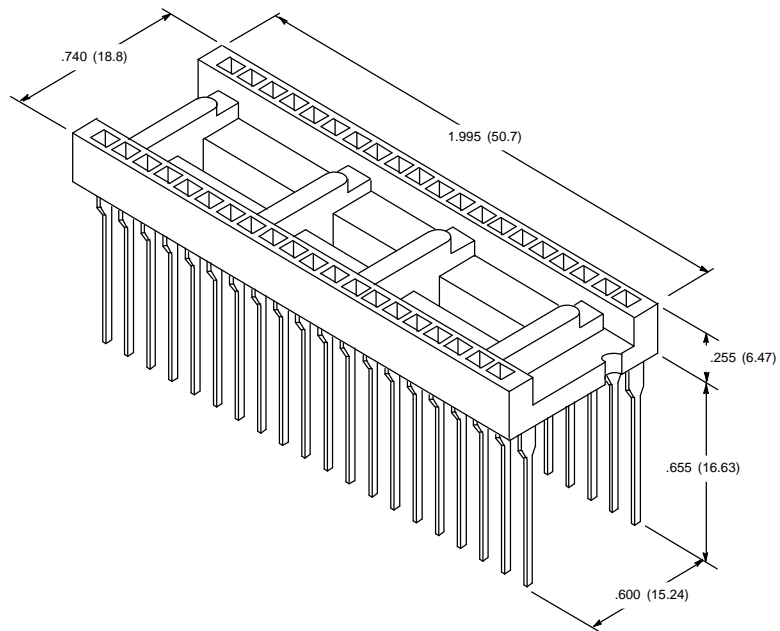
**Diagram 531**



**Diagram 532**



**Diagram 533**



# DIMENSIONAL OUTLINE DRAWINGS

Diagram 561

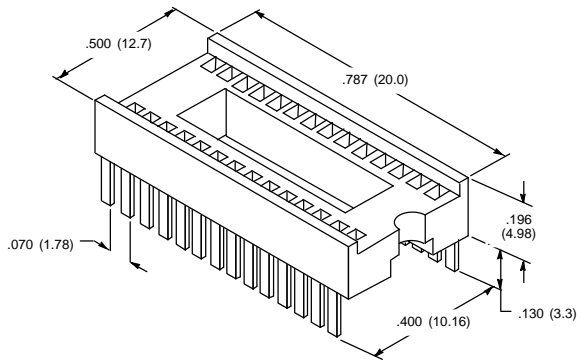


Diagram 562

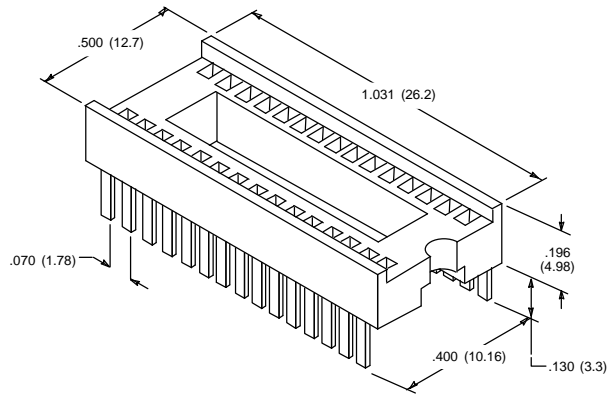


Diagram 563

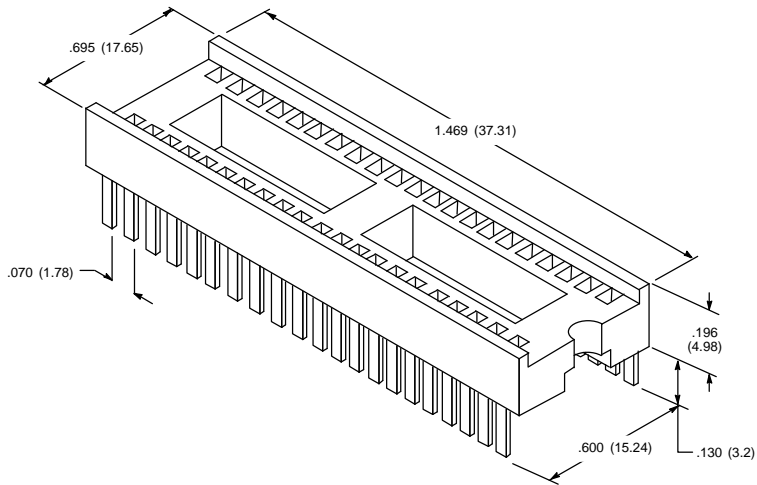
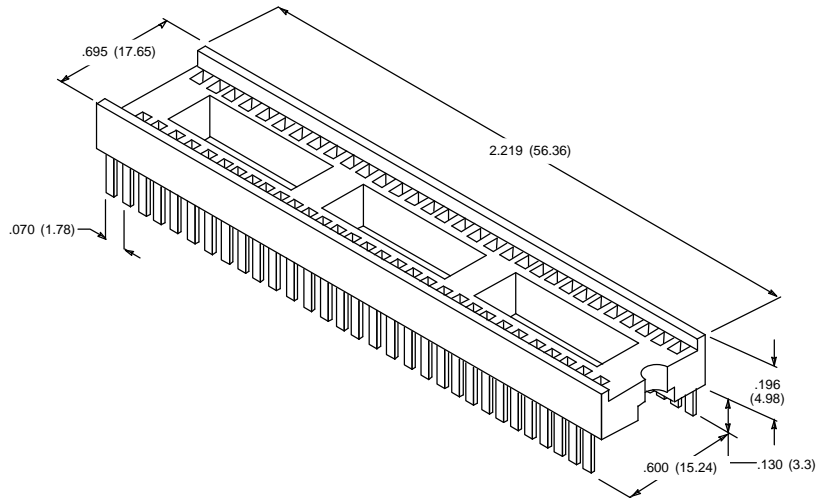
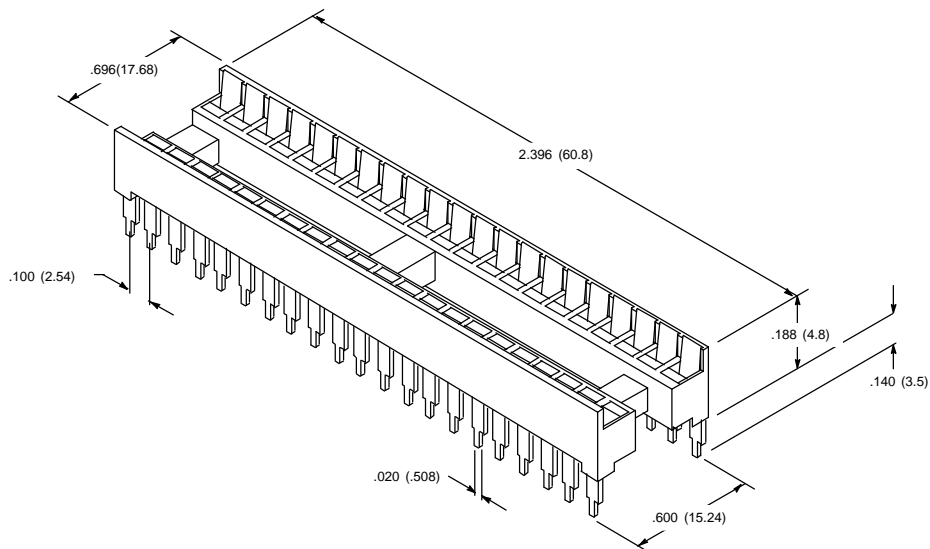


Diagram 564

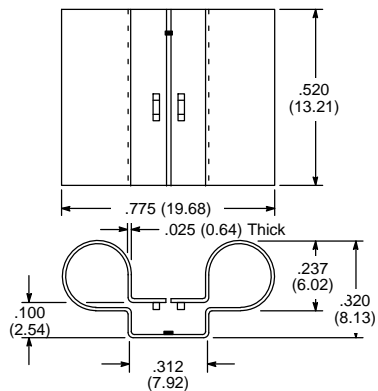


# DIMENSIONAL OUTLINE DRAWINGS

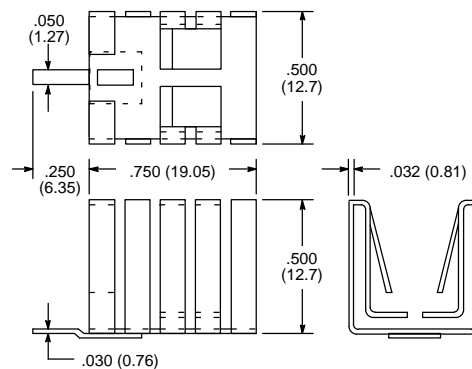
**Diagram 588**



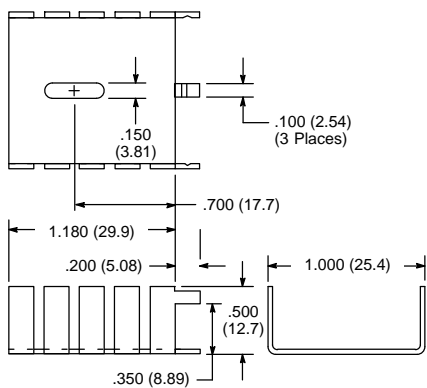
**Diagram 612**



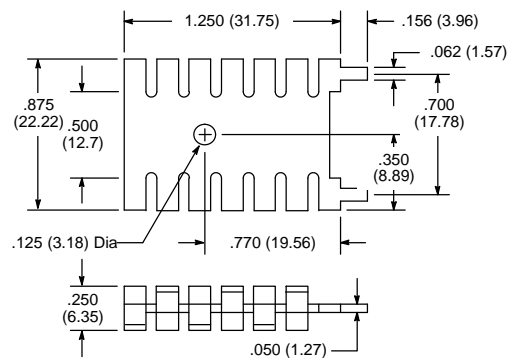
**Diagram 613**



**Diagram 614**



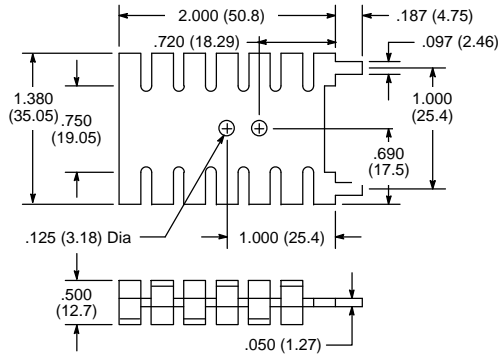
**Diagram 615**



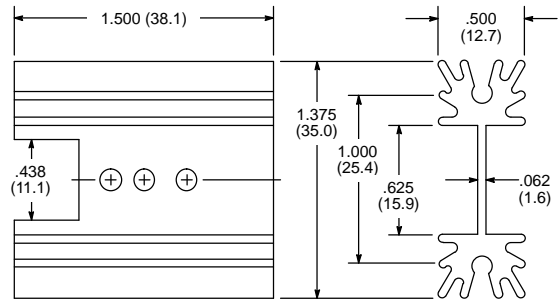


# DIMENSIONAL OUTLINE DRAWINGS

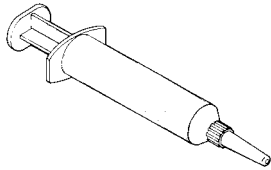
**Diagram 616**



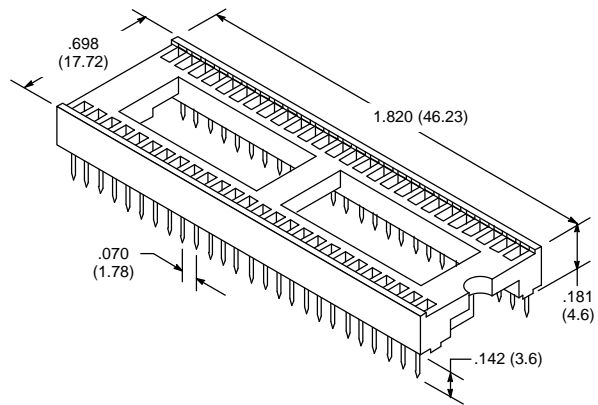
**Diagram 617**



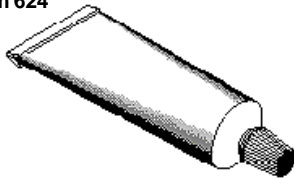
**Diagram 623**



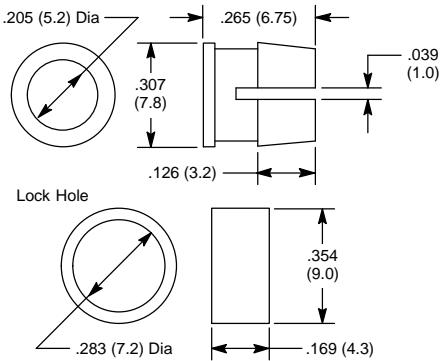
**Diagram 632**



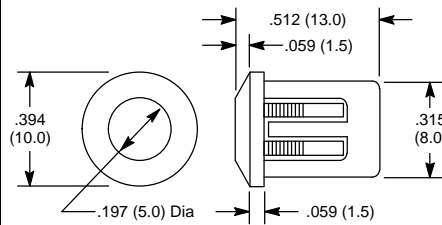
**Diagram 624**



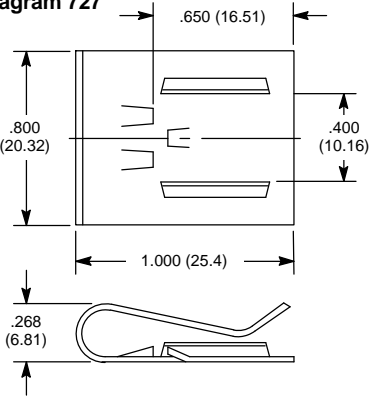
**Diagram 714**



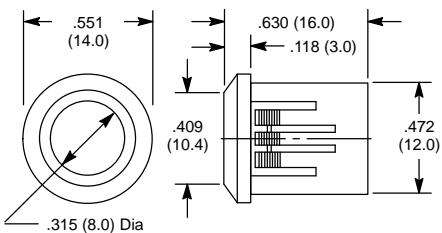
**Diagram 715**



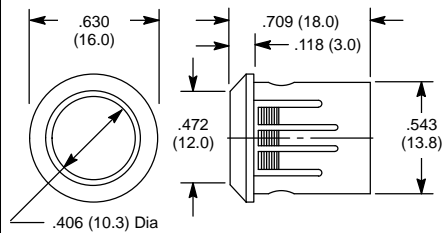
**Diagram 727**



**Diagram 731**



**Diagram 732**



**Diagram 733**

