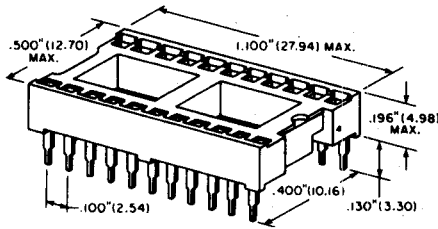


Accessory Outlines (cont'd)

Sockets (cont'd)

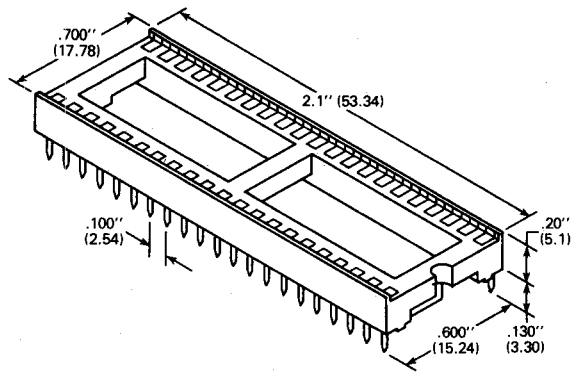
ECG436P22
22-Pin DIP, IC Socket

Fig. AS18



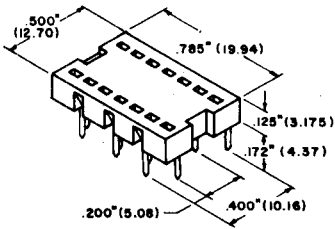
ECG436P42
42-Pin DIP, IC Socket

Fig. AS40



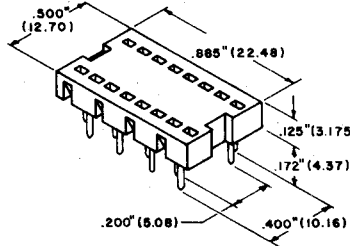
ECG436Q14
14-Pin DIP, IC Socket for PC Board with Staggered Holes

Fig. AS22



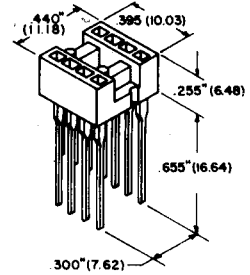
ECG436Q16
16-Pin DIP, IC Socket for PC Board with Staggered Holes

Fig. AS23



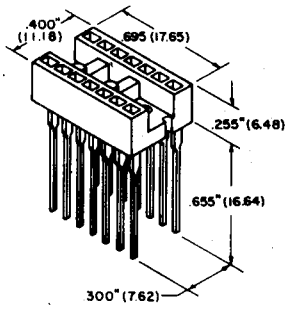
ECG436W8
8-Pin DIP, IC Socket, Wire Wrap Leads

Fig. AS24



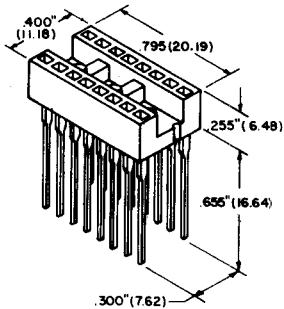
ECG436W14
14-Pin DIP, IC Socket, Wire Wrap Leads

Fig. AS25



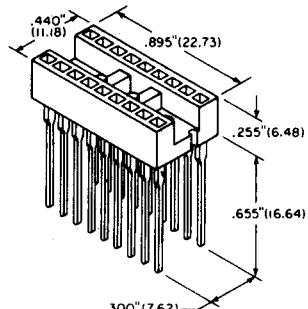
ECG436W16
16-Pin DIP, IC Socket, Wire Wrap Leads

Fig. AS26



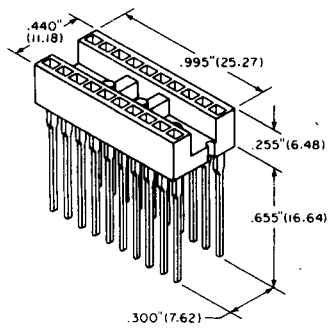
ECG436W18
18-Pin DIP, IC Socket, Wire Leads

Fig. AS27



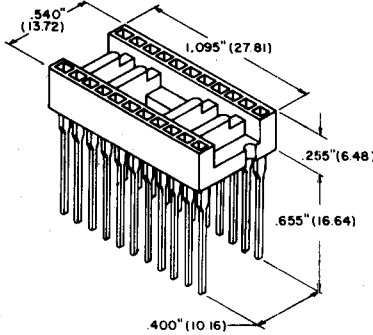
ECG436W20
20-Pin DIP, IC Socket, Wire Wrap Leads

Fig. AS28



ECG436W22
22-Pin DIP, IC Socket, Wire Wrap Leads

Fig. AS29



ECG436W24
24-Pin DIP, IC Socket, Wire Wrap Leads

Fig. AS30

