

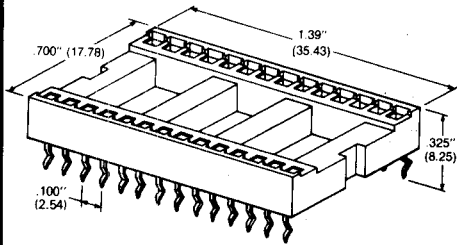
# Accessory Outlines (cont'd)

## Sockets (cont'd)

**ECG429**

Fig. AS20

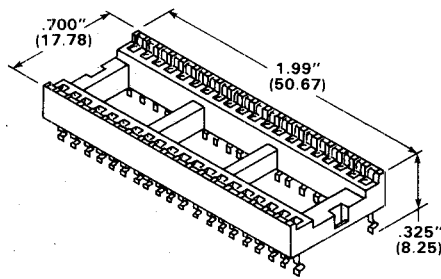
28-Pin DIP, IC Socket, .100" Centers



**ECG430**

Fig. AS21

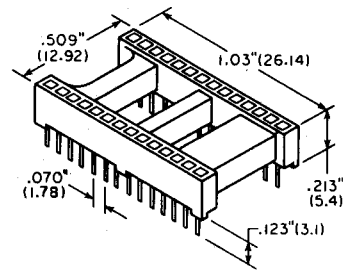
40-Pin DIP, IC Socket, .100" Centers



**ECG435K28**

Fig. AS35

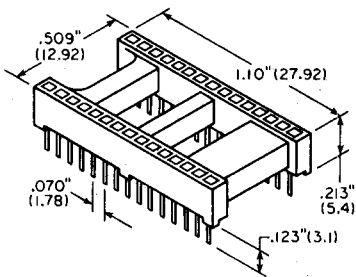
28-Pin DIP, IC Socket, .070" Centers



**ECG435K30**

Fig. AS36

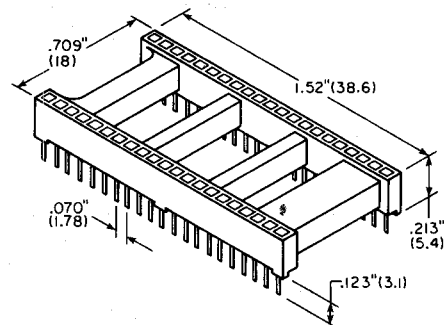
30-Pin DIP, IC Socket, .070" Centers



**ECG435K42**

Fig. AS37

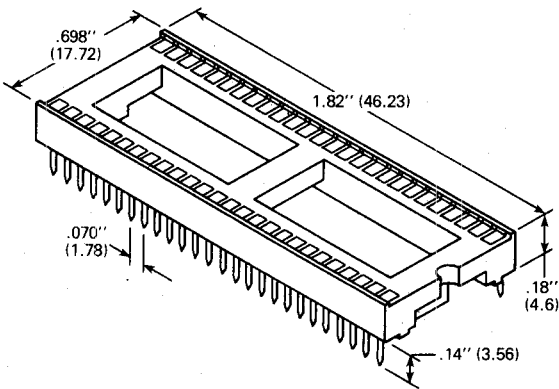
42-Pin DIP, IC Socket, .070" Centers



**ECG435K52**

Fig. AS39

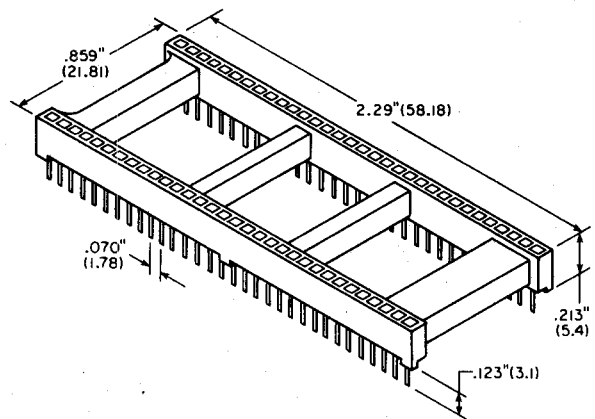
52-Pin DIP, IC Socket, .070" Centers



**ECG435K64**

Fig. AS38

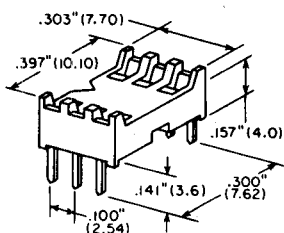
64-Pin DIP, IC Socket, .070" Centers



**ECG435P6**

Fig. AS12

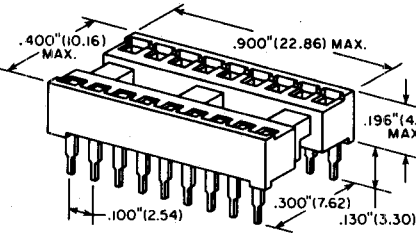
6-Pin DIP, IC Socket



**ECG435P18**

Fig. AS16

18-Pin DIP, IC Socket



**ECG435P20**

Fig. AS17

20-Pin DIP, IC Socket

