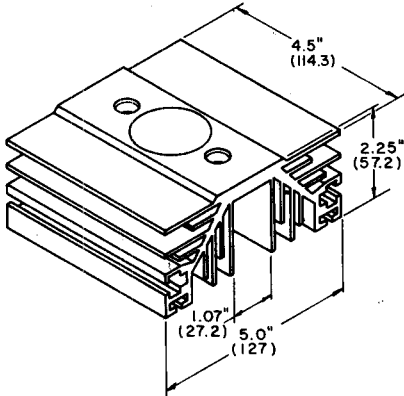


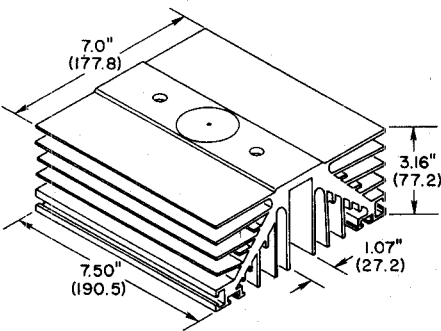
Accessory Outlines (cont'd)

Heat Sinks (cont'd)

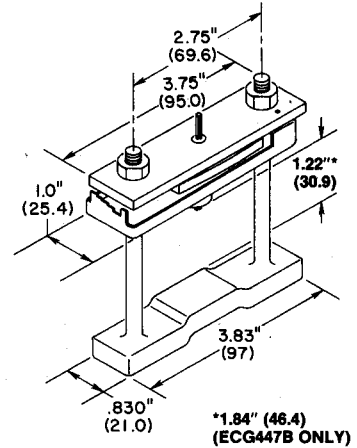
ECG446A Fig. AH19
 Heat Sink for 1.65" Dia. and 2.29" Dia. Hockey Puck Packages, $R\theta = .5^{\circ}\text{C}/\text{W}$, Package Mount .128 (3.25) Dia. Thru Chamfer 1.87 (4.75) Dia., .031 (.762) Deep Mounting Clamp Holes .437" (11.07) Dia. 2.75" (69.8) C_L to C_L



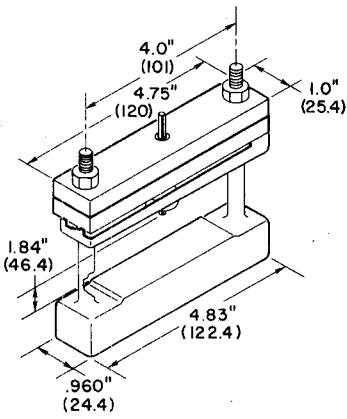
ECG446C Fig. AH20
 Heat Sink for 2.90" Dia. Hockey Puck Packages, $R\theta = .24^{\circ}\text{C}/\text{W}$, Package Mount .128 (3.25) Dia. Thru Chamfer 1.87 (47.5) Dia., .031 (.762) Deep Mounting Clamp Holes .437" (11.07) Dia. 4.0" (101.6) C_L to C_L



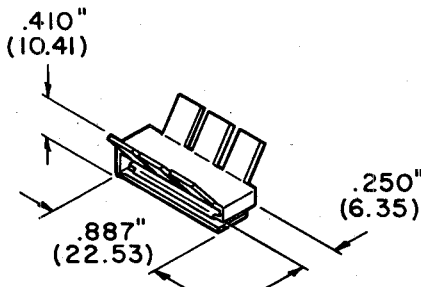
ECG447A, ECG447B* Fig. AH21
 Heat Sink Clamp Assembly for ECG446A



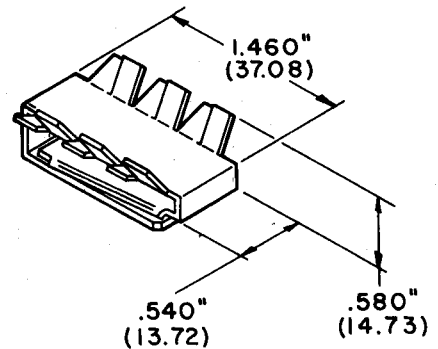
ECG447C Fig. AH22
 Heat Sink Clamp Assembly for ECG446C



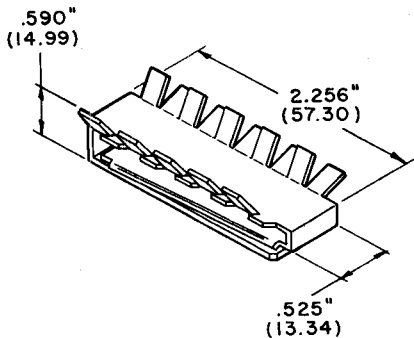
ECG448B Fig. AH23
 Heat Sink for 14/16-Pin DIP, $R\theta = 20^{\circ}\text{C}/\text{W}$



ECG448E Fig. AH24
 Heat Sink for 24-Pin DIP, $R\theta = 20^{\circ}\text{C}/\text{W}$



ECG448G Fig. AH25
 Heat Sink for 40-Pin DIP, $R\theta = 18^{\circ}\text{C}/\text{W}$



ECG450A Fig. AH26
 Heat Sink for:
 ECG740A
 ECG804
 ECG810A
 ECG862
 ECG990
 $R\theta = 14^{\circ}\text{C}/\text{W}$

