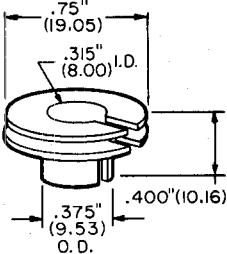
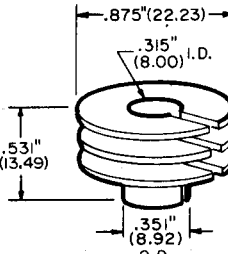
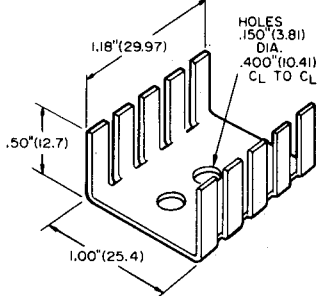
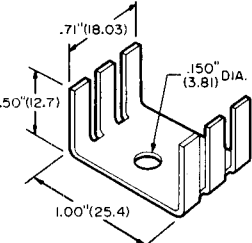
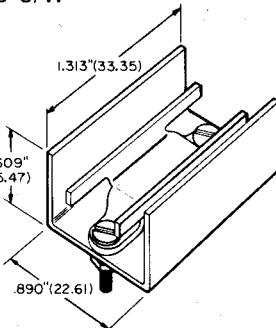
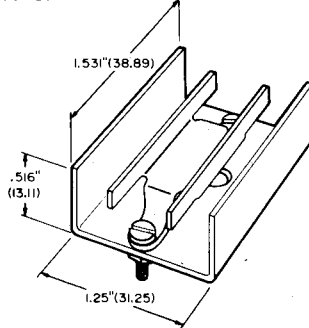
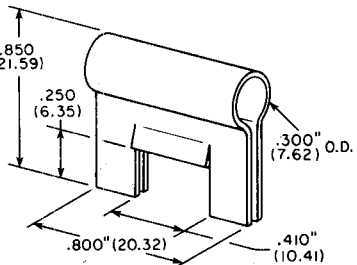
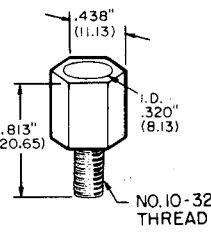
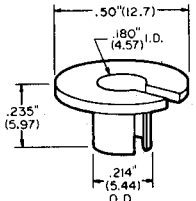
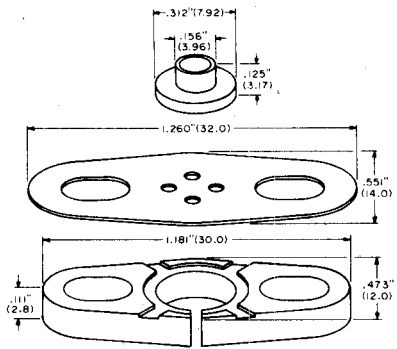
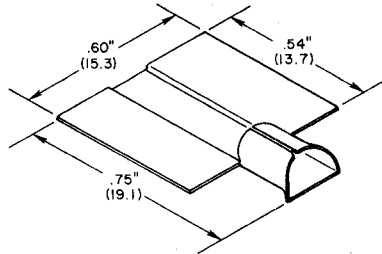


# Accessory Outlines (cont'd)

## Heat Sinks

<p><b>ECG400</b> Fig. AH6 Heat Sink for TO-5 Style, <math>R\theta = 46^\circ\text{C/W}</math></p> 	<p><b>ECG401</b> Fig. AH7 Heat Sink Kit for TO-5 Style, <math>R\theta = 35^\circ\text{C/W}</math></p> 	<p><b>ECG402</b> Fig. AH12 Heat Sink for Plastic Power Transistor (TO-220, TO-202, TO-126, TO-127), <math>R\theta = 17^\circ\text{C/W}</math></p> 
<p><b>ECG403</b> Fig. AH11 Heat Sink for Plastic Power Transistors (TO-220, TO-202, TO-126, TO-127), <math>R\theta = 20^\circ\text{C/W}</math></p> 	<p><b>ECG404</b> Fig. AH9 Heat Sink Kit for TO-66 Style (Base, Top Piece, 2-6/32 Screws and Nuts), <math>R\theta = 14.5^\circ\text{C/W}</math></p> 	<p><b>ECG405</b> Fig. AH10 Heat Sink Kit for TO-3 Style (Base, Top Piece, 2-6/32 Screws and Nuts), <math>R\theta = 11^\circ\text{C/W}</math></p> 
<p><b>ECG406</b> Fig. AH2 Heat Sink for TO-202 Style, <math>R\theta = 25^\circ\text{C/W}</math></p> 	<p><b>ECG411</b> Fig. AH4 Stud Mount Heat Sink for TO-5 and TO-39 Style</p> 	<p><b>ECG412</b> Fig. AH5 Heat Sink for TO-18 and TO-92 Style, <math>R\theta = 92^\circ\text{C/W}</math></p> 
<p><b>ECG427</b> Fig. AH1 Heat Sink Kit for TO-5 and TO-39 Style (Heat Sink, 2 Bushings, 1 Mica)</p> 		<p><b>ECG445</b> Fig. AH8 Heat Sink for TO-92 Style, <math>R\theta = 80^\circ\text{C/W}</math></p> 

Q