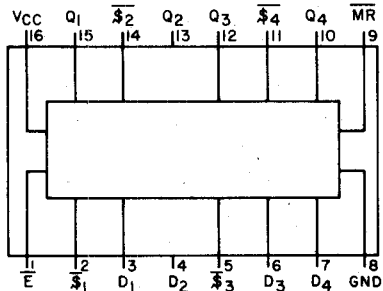


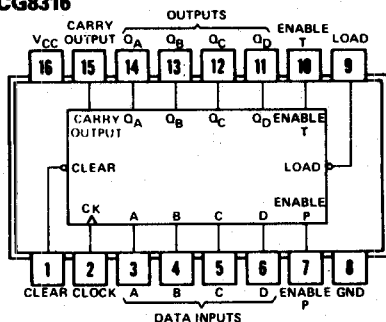
TTL Logic Diagrams (cont'd)

Diag. 251 16-Pin DIP See Fig. D8
ECG8314



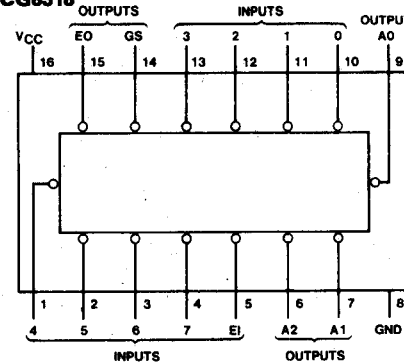
Quad Latch

Diag. 252 16-Pin DIP See Fig. D8
(See Also Diag. 270)
ECG8316



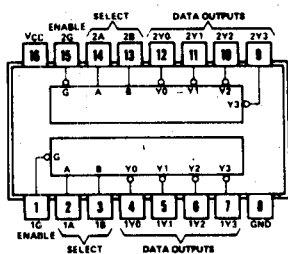
Presettable Synchronous 4-Bit Binary Counter with Direct Clear

Diag. 253 16-Pin DIP See Fig. D8
ECG8318



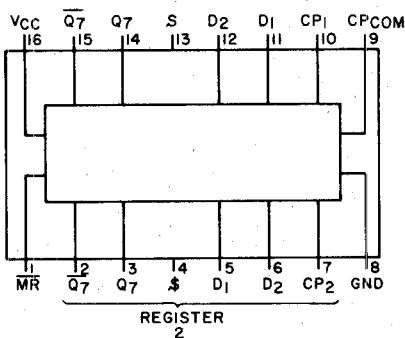
8-Line-to-3-Line Priority Encoder

Diag. 254 16-Pin DIP See Fig. D8
ECG8321



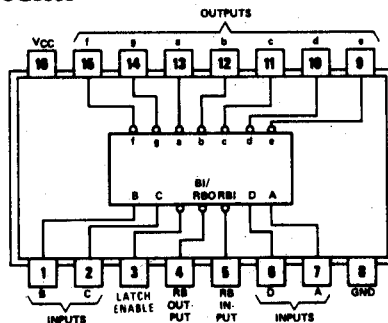
Dual 2-Line-to-4-Line Decoder/Demultiplexer

Diag. 255 16-Pin DIP See Fig. D8
ECG8328



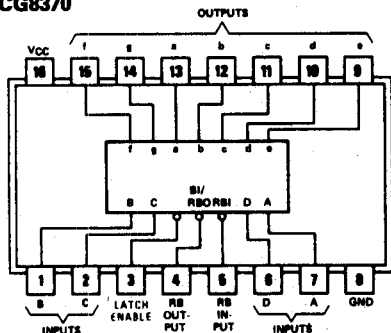
Dual 8-Bit Serial Shift Register

Diag. 256 16-Pin DIP See Fig. D8
ECG8368



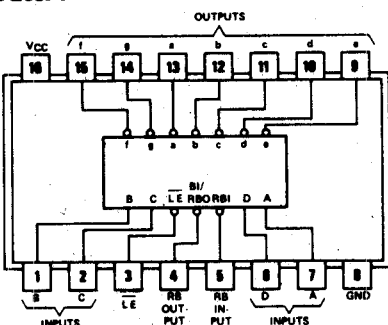
Hexadecimal-to-7-Segment Decoder/Latch/Driver for Common Cathode Displays

Diag. 257 16-Pin DIP See Fig. D8
ECG8370



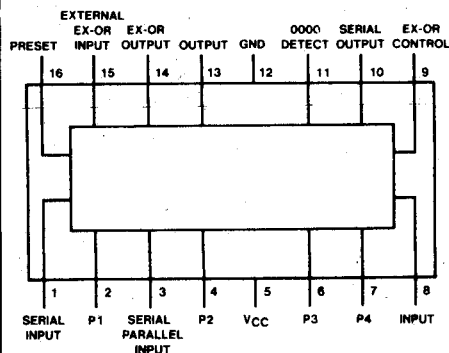
Hexadecimal-to-7-Segment Decoder/Latch/Driver with Open Collector Output

Diag. 258 16-Pin DIP See Fig. D8
ECG8374



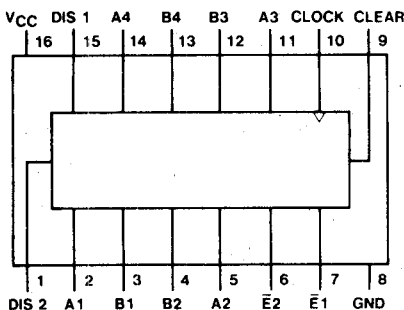
Hexadecimal-to-7-Segment Decoder/Driver/Latch for Common Anode Displays

Diag. 259 16-Pin DIP See Fig. D8
ECG8520



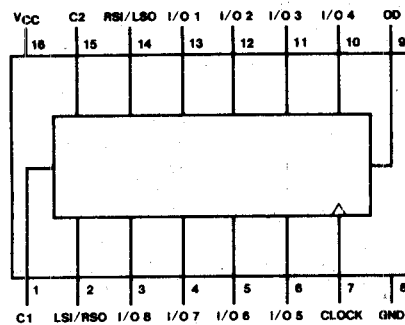
Modulo "N" Divider

Diag. 260 16-Pin DIP See Fig. D8
ECG8542



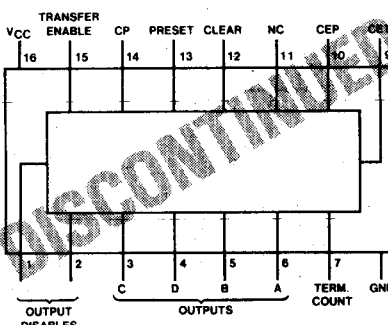
Quad I/O Register with 3-State Output

Diag. 261 16-Pin DIP See Fig. D8
ECG8546



8-Bit Bidirectional I/O Shift Register with 3-State I/O Lines

Diag. 262 16-Pin DIP See Fig. D8
ECG8552



Synchronous Decade Counter/Latch with 3-State Output