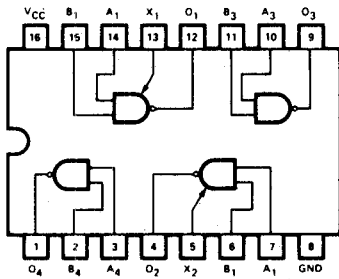
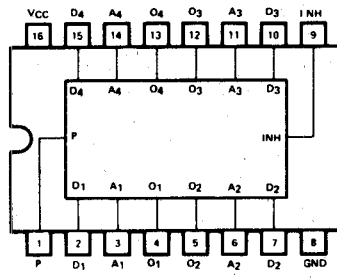


HLL Circuits (cont'd)

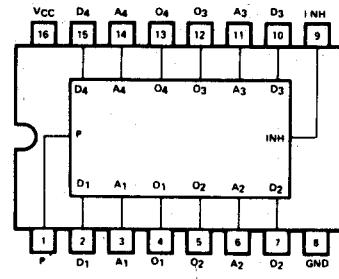
ECG9363 16-Pin DIP See Fig. D8
Quad Output Interface (Passive Pull-Up),
 $V_{CC} = +15\text{ V (Nom.)}$



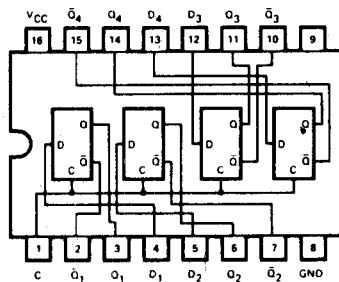
ECG9367 16-Pin DIP See Fig. D8
Quad Schmitt Trigger (Active Pull-Up),
 $V_{CC} = +15\text{ V (Nom.)}$



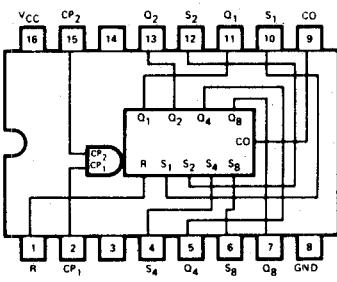
ECG9368 16-Pin DIP See Fig. D8
Quad Schmitt Trigger (Open Collector),
 $V_{CC} = +15\text{ V (Nom.)}$



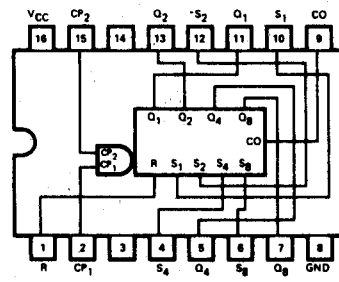
ECG9370 16-Pin DIP See Fig. D8
Quad D Flip-Flop (Passive Pull-Up),
 $V_{CC} = +15\text{ V (Nom.)}$



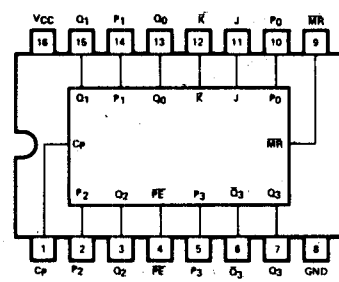
ECG9371 16-Pin DIP See Fig. D8
Decade Counter (Passive Pull-Up),
 $V_{CC} = +15\text{ V (Nom.)}$



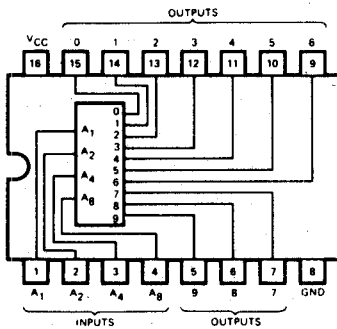
ECG9372 16-Pin DIP See Fig. D8
Hexadecimal Counter (Passive Pull-Up),
 $V_{CC} = +15\text{ V (Nom.)}$



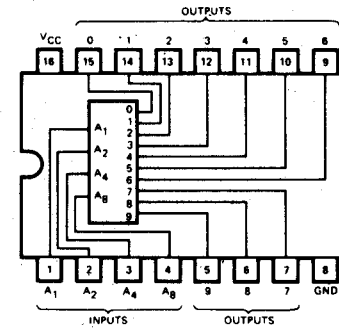
ECG9375 16-Pin DIP See Fig. D8
Four Bit Shift Register (Active Pull-Up),
 $V_{CC} = +15\text{ V (Nom.)}$



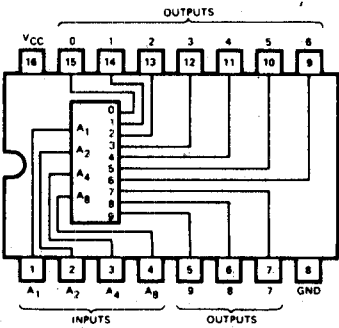
ECG9380 16-Pin DIP See Fig. D8
BCD-to-Decade Decoder/Lamp Driver (Open Collector),
 $V_{CC} = +15\text{ V (Nom.)}$



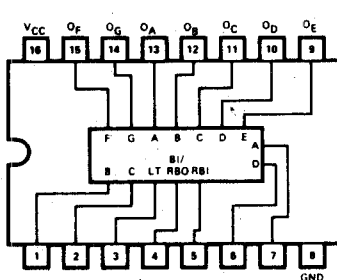
ECG9381 16-Pin DIP See Fig. D8
BCD-to-Decade Decoder/Logic Driver (Open Collector),
 $V_{CC} = +15\text{ V (Nom.)}$



ECG9382 16-Pin DIP See Fig. D8
BCD-to-Decade Decoder/Gas Discharge
(Open Collector) Tube Driver,
 $V_{CC} = +15\text{ V (Nom.)}$



ECG9383 16-Pin DIP See Fig. D8
BCD-to-Seven Segment Decoder/Driver
(Open Collector), $V_{CC} = +15\text{ V (Nom.)}$



ECG9390 14-Pin DIP See Fig. D6
Dual 4-Input AND Interface Buffer,
 $V_{CC} = +15\text{ V (Nom.)}$

