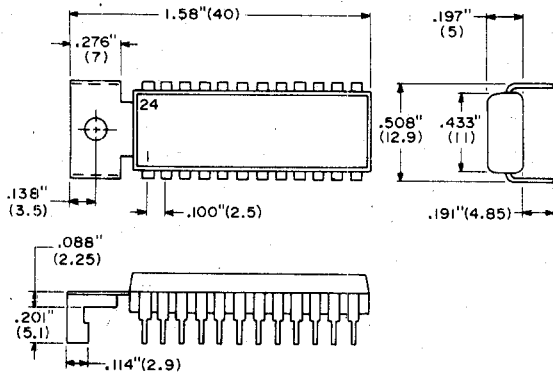


# IC and Module Outlines (cont'd)

Fig. L153

ECG

- 1304 1590
- 1305 1592
- 1306 1594
- 1307 1596
- 1586 1598
- 1588 1601

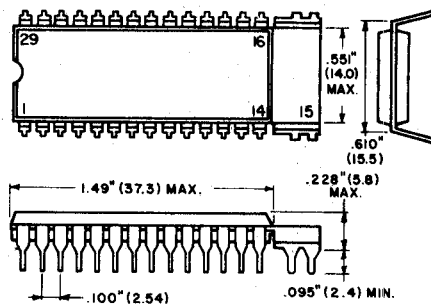


24-Pin DIP-ET

Fig. L154

ECG

- 1422
- 1622



28-Pin DIP-HS

Fig. L155

ECG

- 1029
- 1037

10-Pin DIP-HS

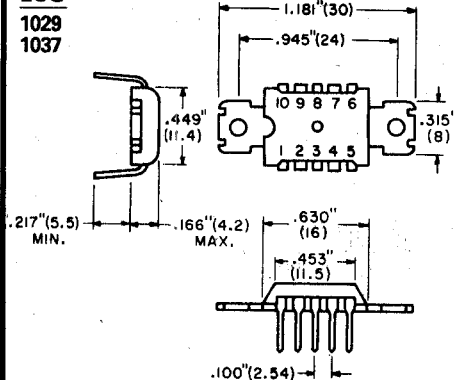


Fig. L156

ECG

- 1038

10-Pin DIP-HS

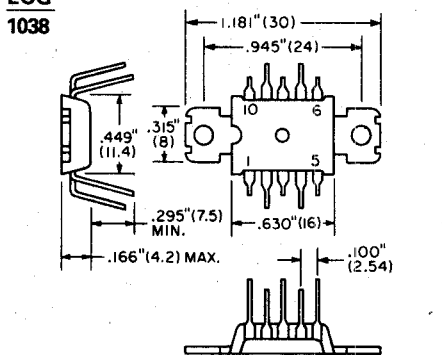


Fig. L157

ECG

- 1111
- 1118

14-Pin DIP-Q-HS

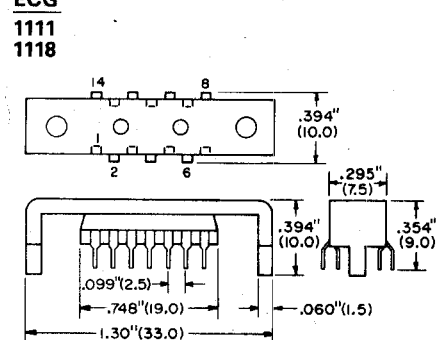


Fig. L158

ECG

- 1175

16-Pin DIP-HS

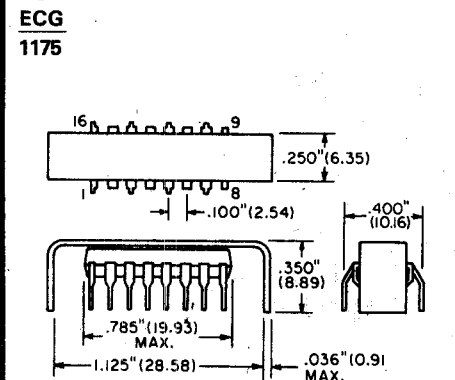


Fig. L159

ECG

- 778SM 918SM 943SM
- 832SM 922SM 955SM
- 857SM 928SM 975SM
- 858SM 941SM 999SM
- 891SM

8-Pin SOIC

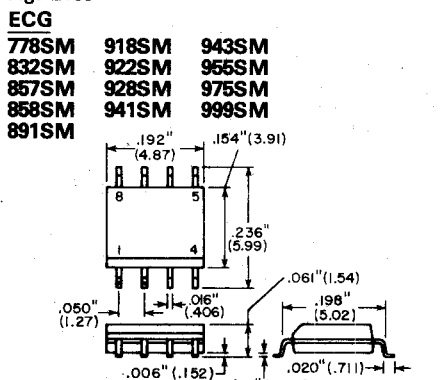
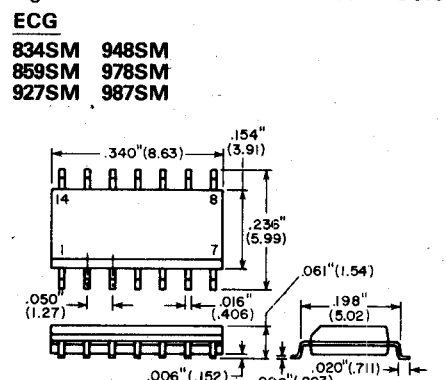


Fig. L160

ECG

- 834SM 948SM
- 859SM 978SM
- 927SM 987SM

14-Pin SOIC



Note: Pin 1 on beveled edge

Note: Pin 1 on beveled edge

Fig. L161

ECG

- 1869M

SOT-89

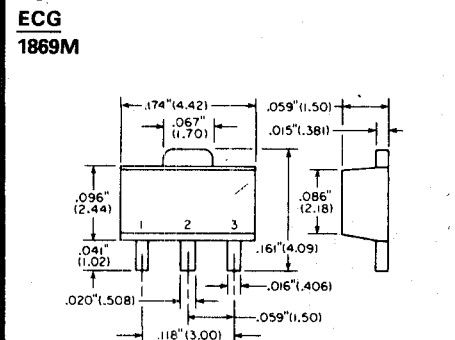


Fig. L162

ECG

- 7029

22-Pin SIP

