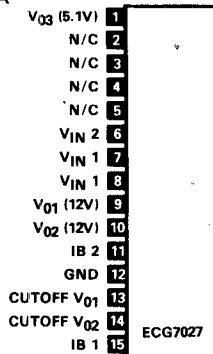


Linear IC and Module Circuits (cont'd)

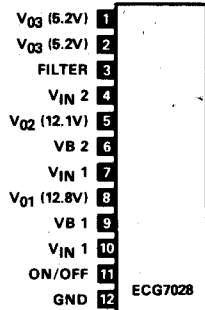
ECG7027 15-Pin SIP See Fig. L167

VCR Positive DC VR: 12V @ 1A, 12V @ 1A, 5.1V @ .5A



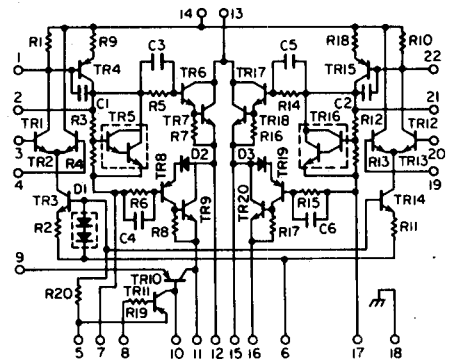
ECG7028 12-Pin SIP-M See Fig. L67C

VCR Positive DC VR: 12.8V @ 1A, 12.1V @ 1A, 5.2V @ 1A



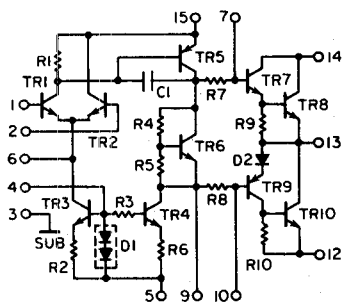
ECG7029 22-Pin SIP See Fig. L162

Dual AF PO, 100W, RL = 8Ω, Vcc = ±51V



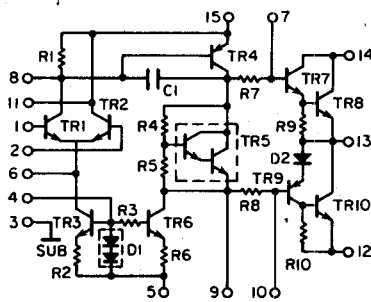
ECG7030 15-Pin SIP-M See Fig. L69A

AF PO, 50W, RL = 8Ω, Vcc = ±35V



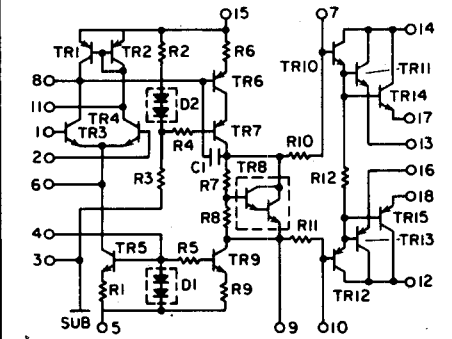
ECG7031 15-Pin SIP-M See Fig. L70B

AF PO, 100W, RL = 8Ω, Vcc = ±51V



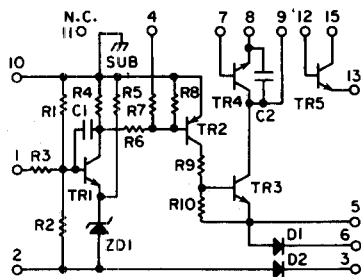
ECG7032 18-Pin SIP See Fig. L75D

AF PO, 120W, RL = 8Ω, Vcc = ±55V



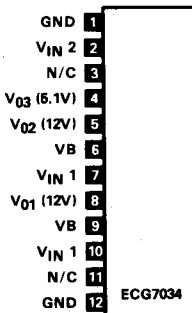
ECG7033 15-Pin SIP See Fig. L168

Switching Regulator



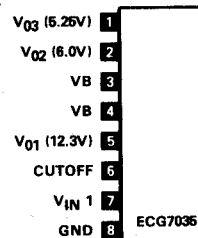
ECG7034 12-Pin SIP-M See Fig. L67C

VCR Positive DC VR: 12V @ 1A, 12V @ 1A, 5.1V @ 1A



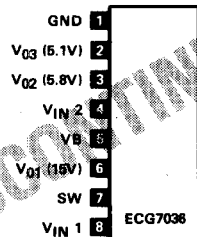
ECG7035 8-Pin SIP-M See Fig. L60A

VCR Positive DC VR: 12.3V @ 1A, 6V @ 1A, 5.25V @ .6A



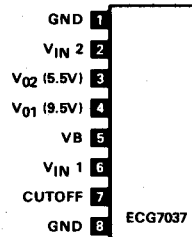
ECG7036 8-Pin SIP-M See Fig. L60B

VCR Positive DC VR: 15V @ 1A, 5.8V @ 1A, 5.1V @ 1A



ECG7037 8-Pin SIP-M See Fig. L60A

VCR Positive DC VR: 9.5V @ 1A, 5.5V @ 1A



ECG7038 15-Pin SIP-M See Fig. L69A

VCR Positive DC VR: 13V @ 1A, 12.2V @ 1A, 6V @ 1A, 5.1V @ 1A, 5.1V @ 1A

