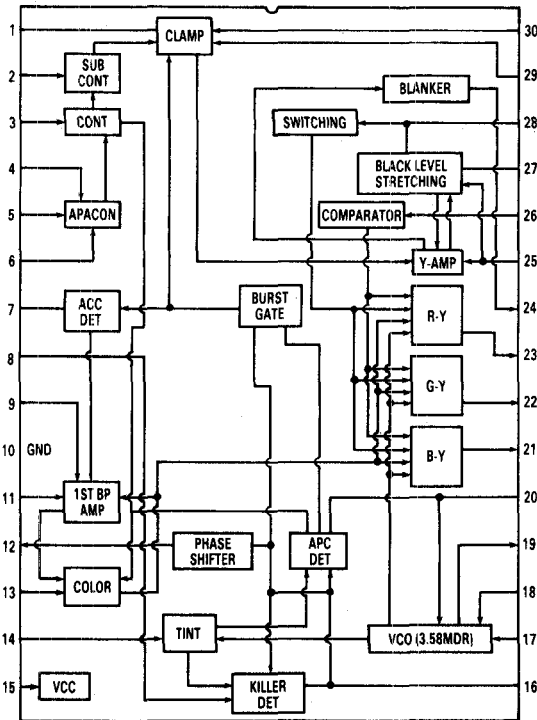


# Linear IC and Module Circuits (cont'd)

## ECG7009

30-Pin DIP See Fig. L124C

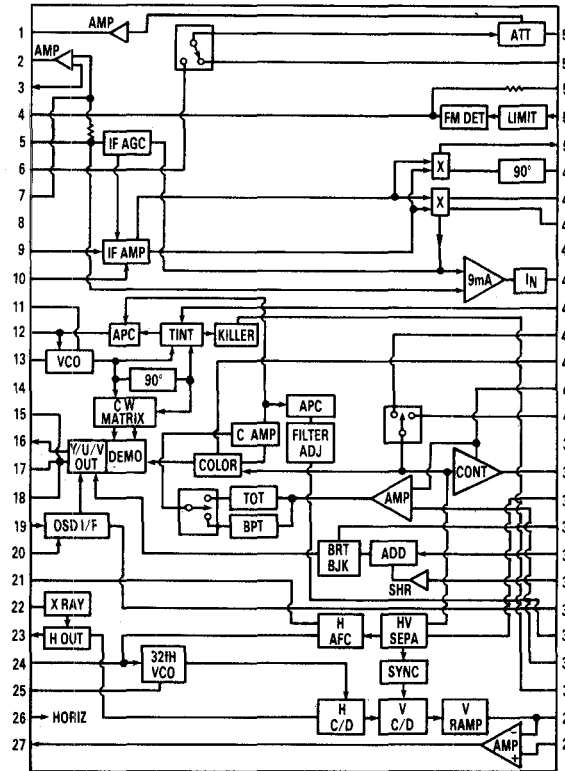
Video/Chroma Processor/Demod,  $V_{CC} = 12\text{ V Typ}$



## ECG7010

54-Pin DIP See Fig. L126D

Single Chip Processor with OSD Interface,  $V_{CC} = 9\text{ V Typ}$

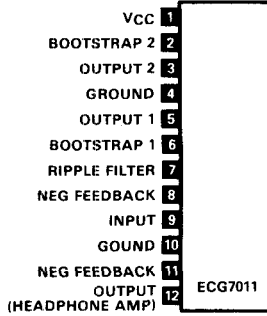


Pin 8,39 = GND, Pin 46 =  $V_{CC}$

## ECG7011

12-Pin SIP See Fig. L55

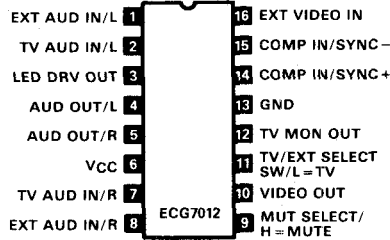
AF PO, 20 W,  $V_{CC} = 15\text{ V}$ ,  $R_L = 4\ \Omega$



## ECG7012

16-Pin DIP See Fig. L111

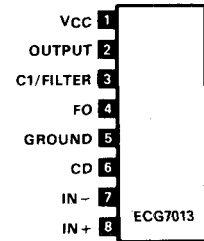
A/V Switch with Dual Inputs/LED Driver/Mute Control,  $V_{CC} = 12\text{ V Typ}$



## ECG7013

8-Pin SIP See Fig. L35B

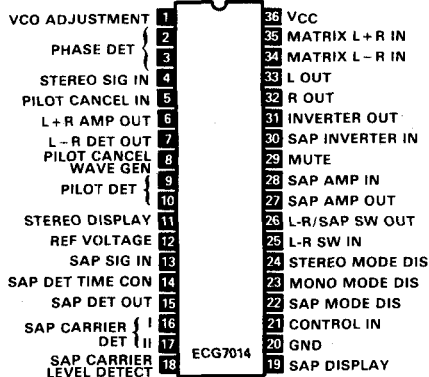
IR Remote Control Receiver Preamp,  $V_{CC} = 5\text{ V Typ}$



## ECG7014

36-Pin DIP See Fig. L124D

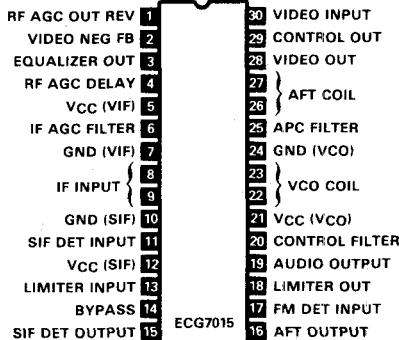
TV MPX Sound with Separate Audio Program,  $V_{CC} = 12\text{ V Typ}$



## ECG7015

30-Pin DIP See Fig. L124C

PLL/SIF/VIF/RF AGC,  $V_{CC} = 9\text{ V Typ}$



## ECG7016

16-Pin DIP See Fig. L111

FM IF System,  $V_{CC} = 12\text{ V Typ}$

