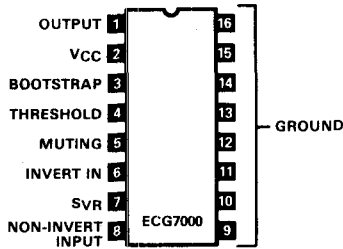
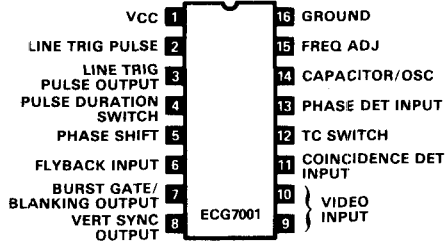


Linear IC and Module Circuits (cont'd)

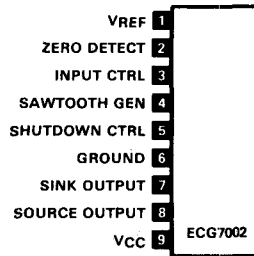
ECG7000 16-Pin DIP See Fig. L111
AF PO, 5 W, $V_{CC} = 14$ V, $R_L = 4 \Omega$



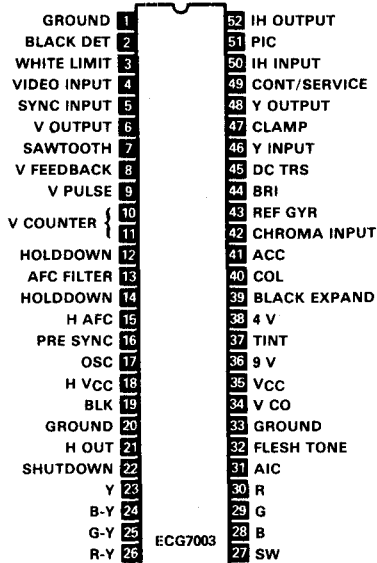
ECG7001 16-Pin DIP See Fig. L111
Horiz/Vert Signal Processor, $V_{CC} = 12$ V Typ



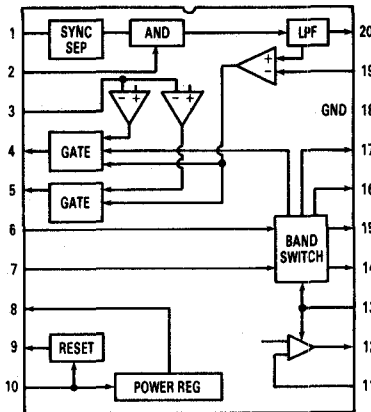
ECG7002 9-Pin SIP-HS See Fig. L80A
Switch Mode Power Supply Controller, $V_{CC} = 10$ V Typ



ECG7003 52-Pin DIP See Fig. L126C
Single Chip TV Signal Processor, $V_{CC} = 12$ V Typ

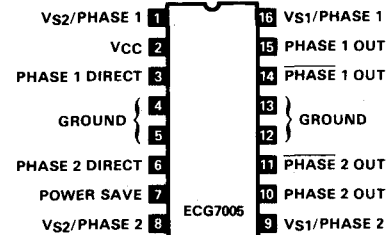


ECG7004 20-Pin DIP See Fig. L118A
Channel Select System Controller, $V_{CC} = 12$ V Typ

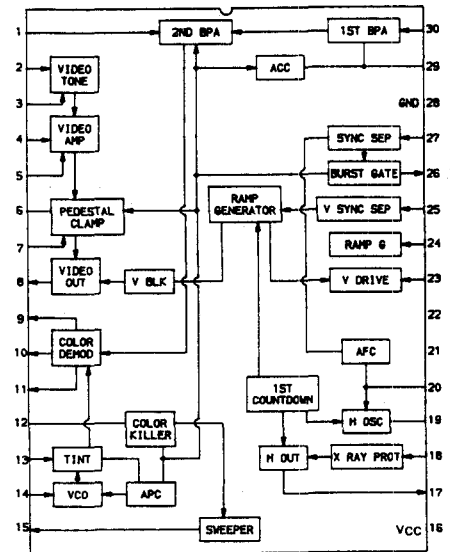


Pin 10 = V_{CC}

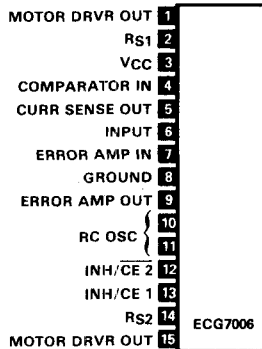
ECG7005 16-Pin DIP See Fig. L111
Dual Stepping Motor Driver, $V_{CC} = 5$ V, $I_O = 300$ mA



ECG7008 30-Pin DIP See Fig. L124C
Video/Chroma/Horiz-Vert Driver/Sync Sep/X-Ray Protect, $V_{CC} = 12$ V Typ



ECG7006 15-Pin SIP-HS See Fig. L93A
Bi-Directional Motor Driver, $V_{CC} = 24$ V Typ, $I_O = 2.5$ A



ECG7007 30-Pin DIP See Fig. L124C
TV/VCR Interface and Function Control, $V_{CC} = 12$ V Typ

