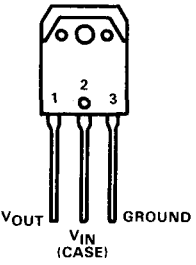
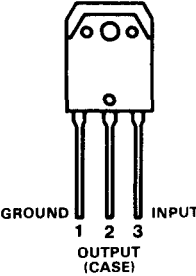
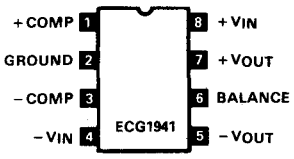
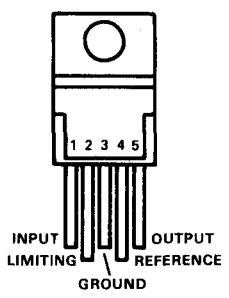
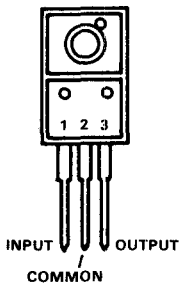


Linear IC and Module Circuits (cont'd)

<p>ECG1934 TO-3PJ See Fig. L17A 3-Terminal Positive Voltage Regulators, Output = 5 V, 2 A</p> <p>ECG1936 Output = 12 V</p> <p>ECG1938 Output = 15 V</p> <p>ECG1940 Output = 24 V</p> 	<p>ECG1934X TO-3PJ See Fig. L17A 3-Terminal Positive Voltage Regulator, 5 V, 2 A</p> 	<p>ECG1941 8-Pin DIP See Fig. L97 Dual Tracking Voltage Regulator, ± 15 V, $V_{in} = \pm 30$ Vmax, $I_{out} = 100$ mA Max</p> 
<p>ECG1942 TO-220, 5-Pin See Fig. L19 Positive Adj Voltage Regulator, Output = 3 to 36 V, 2 A</p> 	<p>ECG1960 TO-220M See Fig. L163 3-Terminal Pos Fixed Voltage Regulators, Output = 5 V, 1 A</p> <p>ECG1962 Output = 6 V</p> <p>ECG1964 Output = 8 V</p> <p>ECG1966 Output = 9 V</p> <p>ECG1968 Output = 10 V</p> <p>ECG1970 Output = 12 V</p> <p>ECG1972 Output = 15 V</p> <p>ECG1974 Output = 18 V</p> <p>ECG1976 Output = 24 V</p> 	<p>ECG1961 TO-220 See Fig. L163 3-Terminal Neg Fixed Voltage Regulators, Output = -5 V, 1 A</p> <p>ECG1963 Output = -6 V</p> <p>ECG1965 Output = -8 V</p> <p>ECG1967 Output = -9 V</p> <p>ECG1971 Output = -12 V</p> <p>ECG1973 Output = -15 V</p> <p>ECG1975 Output = -18 V</p> <p>ECG1977 Output = -24 V</p> 