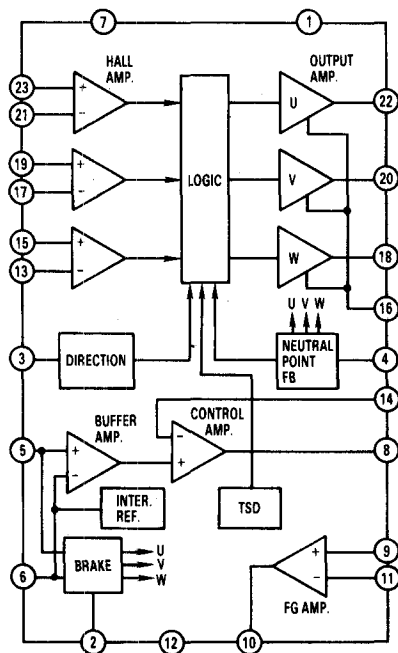


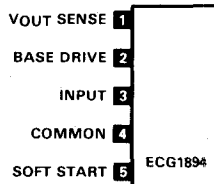
Linear IC and Module Circuits (cont'd)

ECG1893 23-Pin ZIL See Fig. L47B
 3-Phase Motor Driver, $V_{cc1} = 5\text{ V}$,
 $V_{cc2} = 15\text{ V}$, $I_o = 1.5\text{ A}$

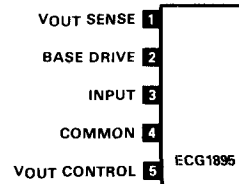


Pin 1 = V_{cc2} , Pin 7 = V_{cc1} , Pin 12 = GND

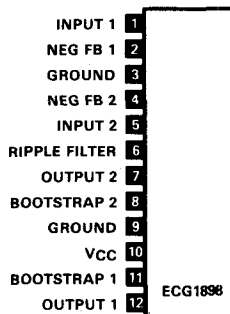
ECG1894 5-Lead Formed SIP See Fig. L19B
 TV Voltage Regulator, Output = $41.8\text{ V} @ 1.2\text{ A}$



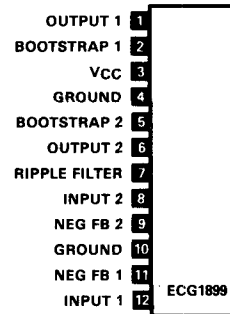
ECG1895 5-Lead Formed SIP See Fig. L19B
 TV Voltage Regulator, Output = $41.8\text{ V} @ 1.1\text{ A}$



ECG1898 12-Pin SIP See Fig. L92A
 Dual AF PO, 5.8 W/Ch, 19 W BTL,
 $V_{cc} = 13.2\text{ V}$, $R_L = 4\ \Omega$



ECG1899 12-Pin SIP See Fig. L92A
 Dual AF PO, 5.8 W/Ch, 19 W BTL,
 $V_{cc} = 13.2\text{ V}$, $R_L = 4\ \Omega$



ECG1896 5-Lead Formed SIP See Fig. L19B
 TV Voltage Regulator,
 Output = 115 V , 1 A

ECG1897
 TV Voltage Regulator,
 Output = 125 V , 1 A

