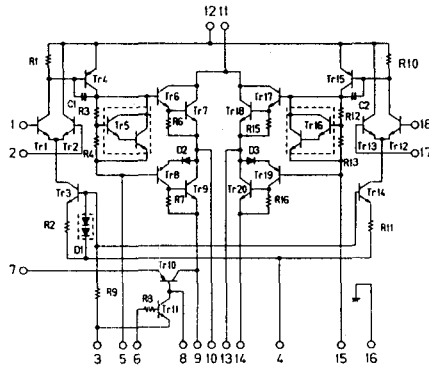


Linear IC and Module Circuits (cont'd)

ECG1871 18-Pin SIP-M See Fig. L75B

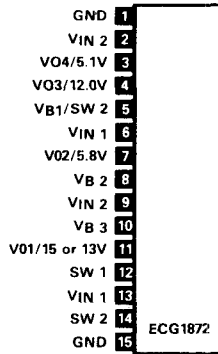
Dual AF PO,
50 W, $V_{CC} = \pm 35$ V, $R_L = 8 \Omega$

ECG1874
15 W, $V_{CC} = \pm 20$ V, $R_L = 8 \Omega$



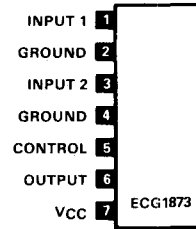
ECG1872 15-Pin SIP-M See Fig. L69A

VCR Positive DC VR: 15 V/13 V @ 1 A;
5.8 V @ .5 A; 12 V @ 1 A; 5.1 V @ 1 A



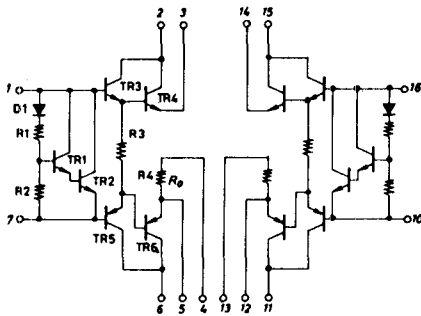
ECG1873 7-Pin SIP See Fig. L24

2 Input Audio/Video Switch, $V_{CC} = 9$ V Typ



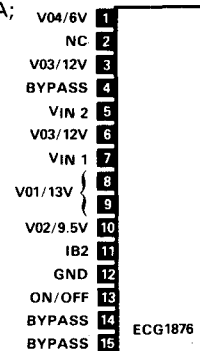
ECG1875 16-Pin SIP-M See Fig. L73

Dual AF PO, 30 W, $V_{CC} = \pm 30$ V, $R_L = 8 \Omega$



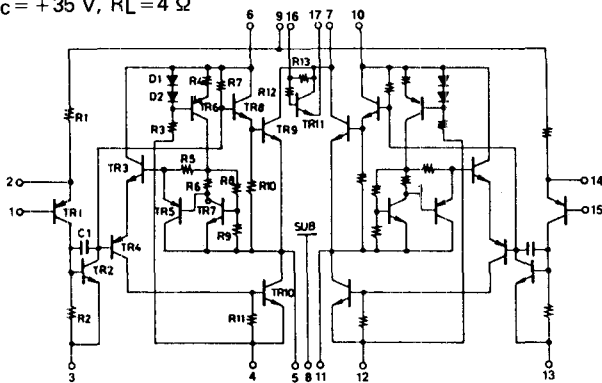
ECG1876 15-Pin SIP-M See Fig. L69A

VCR Positive DC VR: 13 V @ 1.5 A;
9.5 V @ 1.5 A; 12 V @ 1.5 A;
6 V @ .5 A



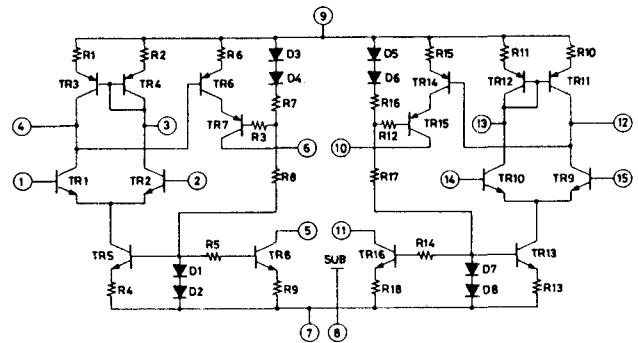
ECG1877 18-Pin SIP-M See Fig. L75B

Dual AF PO, 28 W,
 $V_{CC} = +35$ V, $R_L = 4 \Omega$



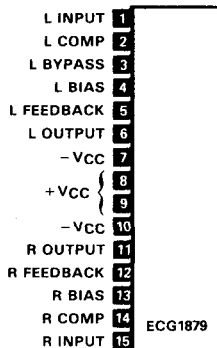
ECG1878 15-Pin SIP-M See Fig. L68A

2 Channel Audio Driver for 40 to 50 W AF PO



ECG1879 15-Pin SIP-M See Fig. L69

Dual AF PO, 18 W, $V_{CC} = \pm 24$ V, $R_L = 8 \Omega$



ECG1880 8-Pin SIP-M See Fig. L60A

VCR Positive DC VR: 13 V @ 1 A; 6.05 V @ 1 A; 5.1 V @ .5 A

